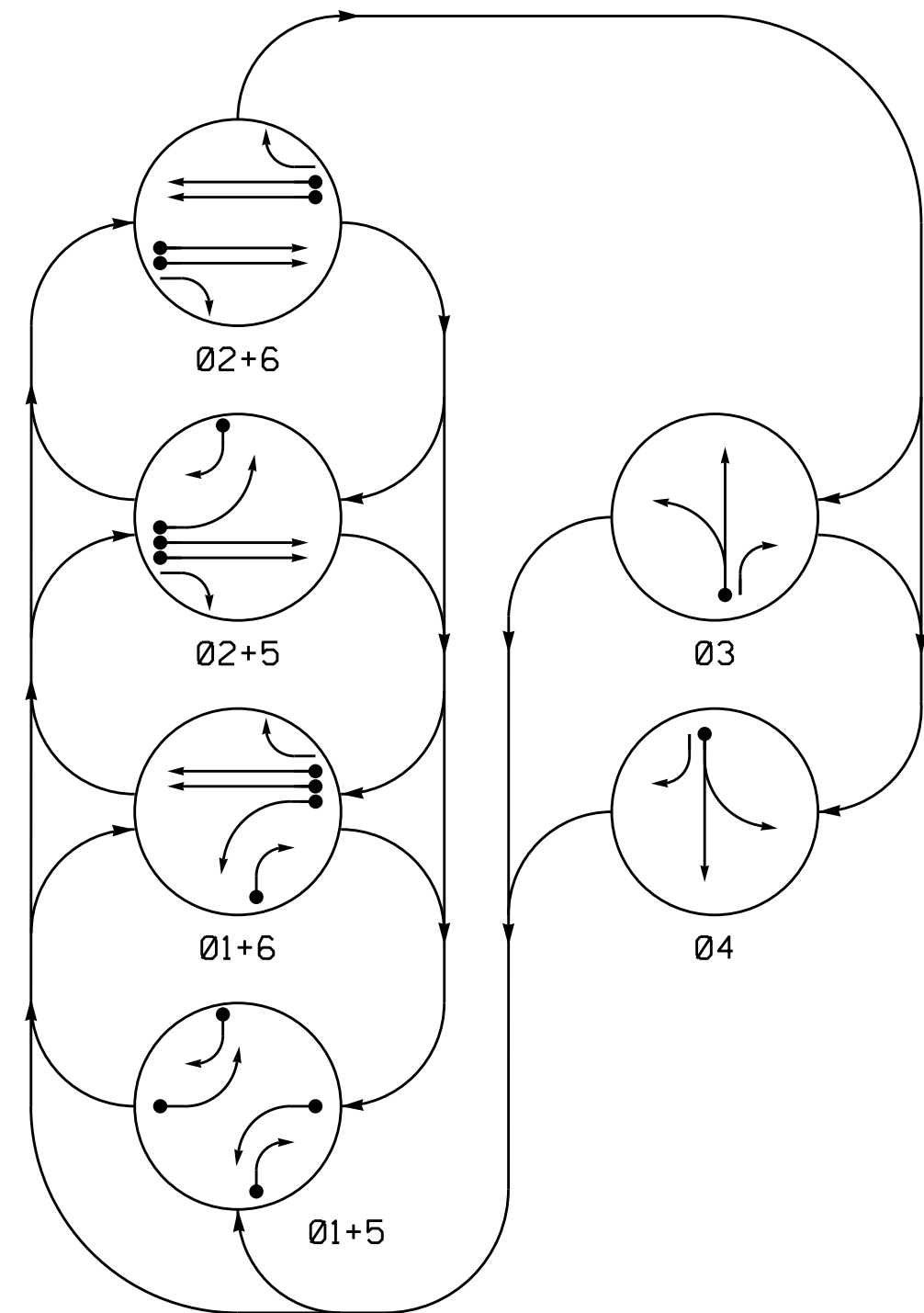


PHASING DIAGRAM



PHASING DIAGRAM DETECTION LEGEND

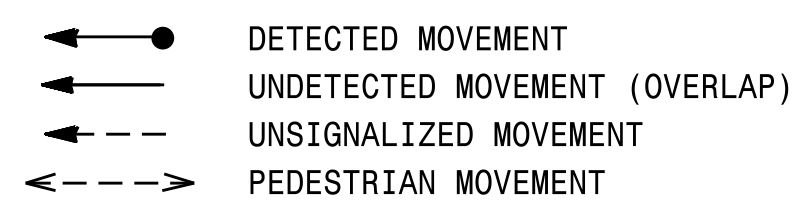
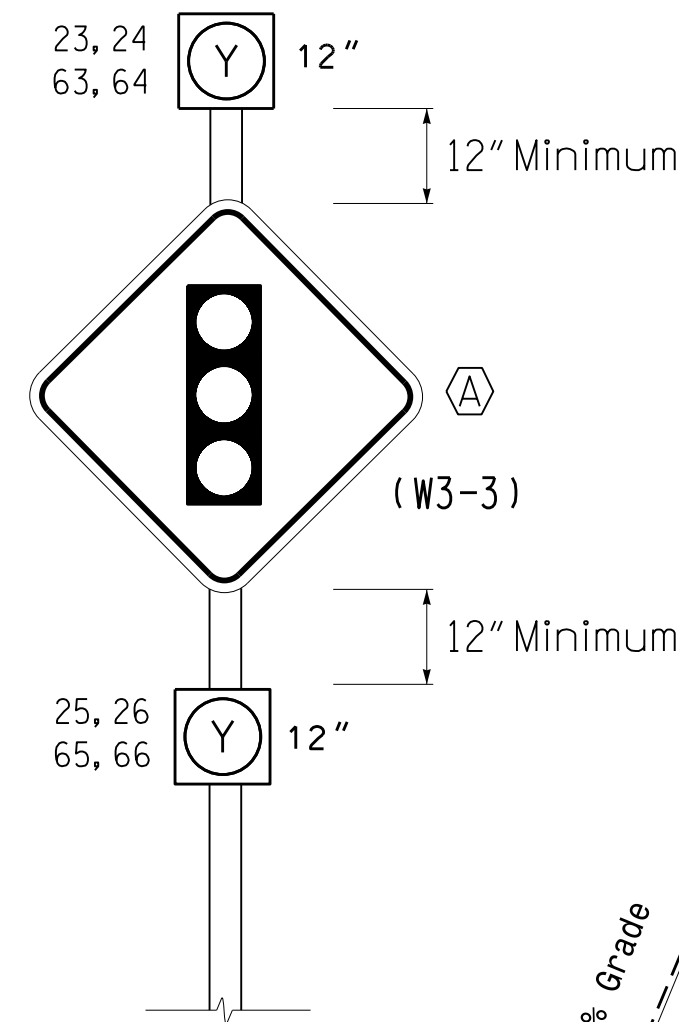


TABLE OF OPERATION

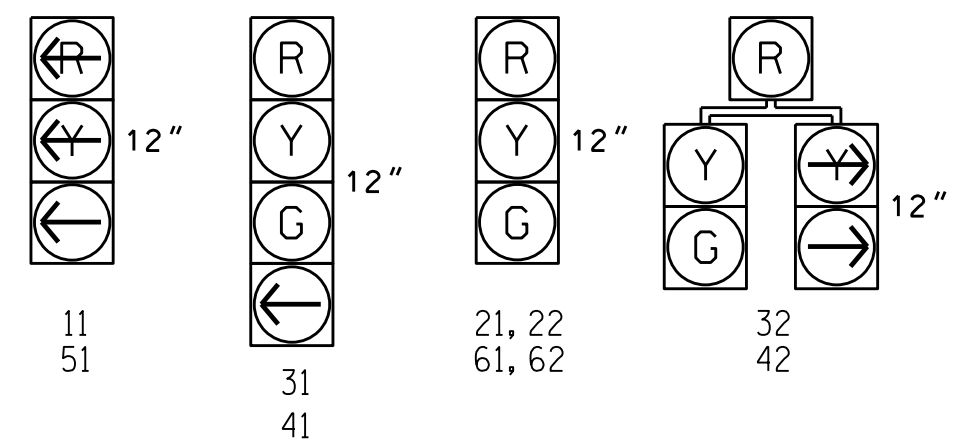
SIGNAL FACE	PHASE					
	01+5	01+6	02+5	02+6	03	04
11	ON	OFF	OFF	OFF	OFF	OFF
21, 22	R	R	G	G	R	R
23,24, 25,26	ON	ON	OFF	OFF	ON	ON
31	R	R	R	R	G	R
32	R	R	R	R	G	R
41	R	R	R	R	R	G
42	R	R	R	R	R	G
51	OFF	OFF	OFF	OFF	OFF	OFF
61, 62	R	G	R	G	R	R
63,64,65,66	ON	OFF	ON	OFF	ON	OFF

Figure 1



SIGNAL FACE I.D.

All Heads L.E.D.



OASIS 2070 LOOP & DETECTOR INSTALLATION CHART

LOOP	SIZE (FT)	DISTANCE FROM STOPBAR (FT)	TURNS	NEW LOOP	DETECTOR PROGRAMMING			
					PHASE	CALLING	EXTENSION	FULL TIME DELAY
1A	6X40	0	2-4-2	Y	1	Y	Y	-
1B	6X40	+5	2-4-2	Y	1	Y	Y	15
2A	6X6	420	5	Y	2	Y	Y	-
2B	6X6	420	5	Y	2	Y	Y	-
3A	6X40	0	2-4-2	Y	3	Y	Y	-
4A	6X40	0	2-4-2	Y	4	Y	Y	-
5A	6X40	0	2-4-2	Y	5	Y	Y	-
5B	6X40	+5	2-4-2	Y	5	Y	Y	15
6A	6X6	420	5	Y	6	Y	Y	-
6B	6X6	420	5	Y	6	Y	Y	-

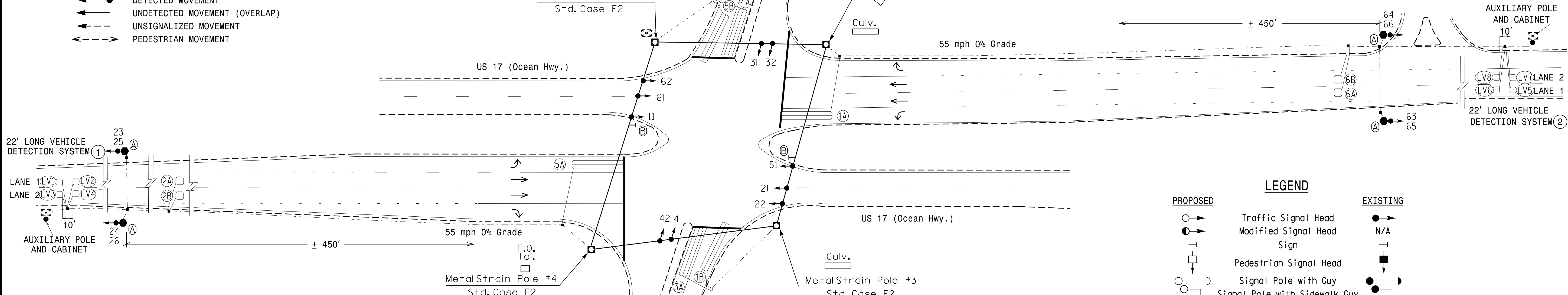
TABLE OF OPERATION

SIGNAL FACE	INTERVAL	
	1	2
23,24	ON	OFF
25,26	OFF	ON
63,64	ON	OFF
65,66	OFF	ON

6 Phase Fully Actuated Isolated

NOTES

1. Refer to "Roadway Standard Drawings NCDOT" dated January 2012 and "Standard Specifications for Roads and Structures" dated January 2012.
2. Do not program signal for late night flashing operation unless otherwise directed by the Engineer.
3. Phase 1 and/or phase 5 may be lagged.
4. The order of phase 3 and phase 4 may be reversed.
5. Set all detector units to presence mode.
6. Activate flashers at the end of green for phase 2 and/or phase 6.



OASIS 2070 TIMING CHART

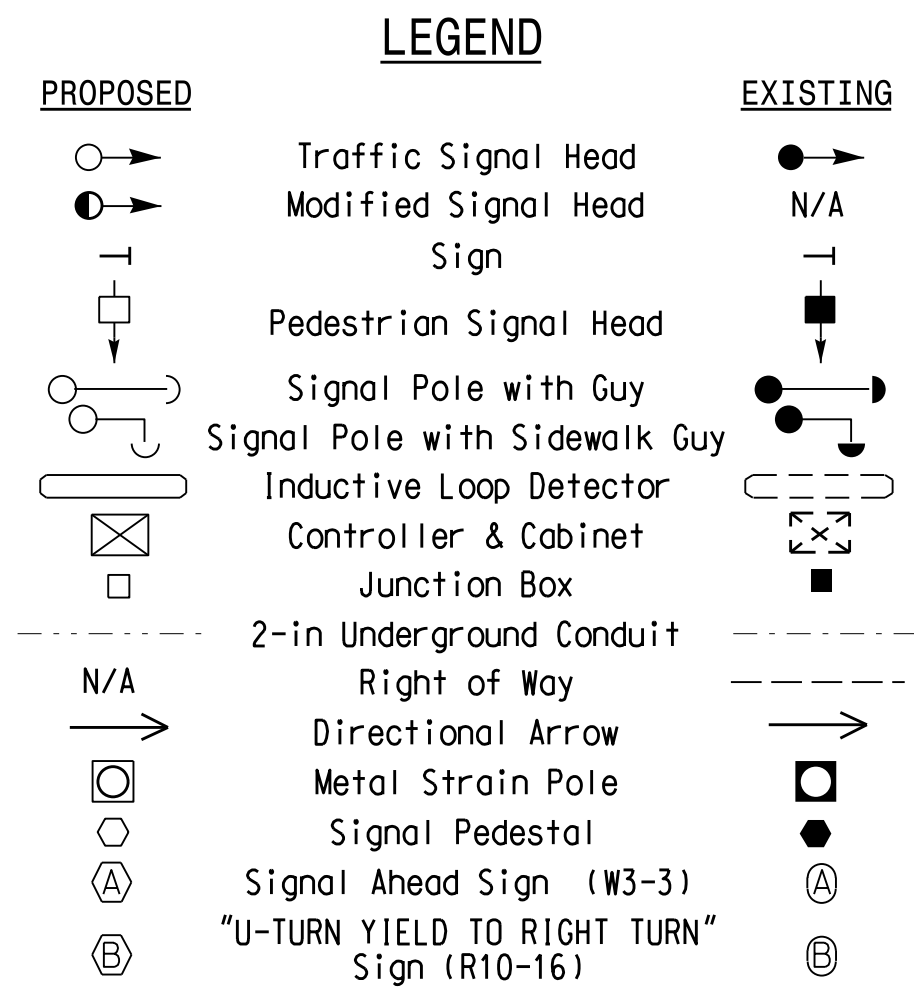
FEATURE	PHASE					
	1	2	3	4	5	6
Min Green 1 *	7	14	7	7	7	14
Extension 1 *	2.0	6.0	3.0	3.0	2.0	6.0
Max Green 1 *	15	120	20	20	15	120
Yellow Clearance	3.0	5.2	3.8	5.1	3.0	5.2
Red Clearance	3.8	1.3	2.7	1.7	3.9	1.2
Walk 1 *	-	-	-	-	-	-
Don't Walk 1	-	-	-	-	-	-
Seconds Per Actuation *	-	1.5	-	-	-	1.5
Max Variable Initial *	-	46	-	-	-	46
Time Before Reduction *	-	20	-	-	-	20
Time To Reduction *	-	50	-	-	-	50
Minimum Gap	-	3.4	-	-	-	3.4
Recall Mode	-	MIN RECALL	-	-	-	MIN RECALL
Vehicle Call Memory	-	YELLOW	-	-	-	YELLOW
Dual Entry	-	-	-	-	-	-
Simultaneous Gap	ON	ON	ON	ON	ON	ON

* These values may be field adjusted. Do not adjust Min Green and Extension times for phases 2 and 6 lower than what is shown. Min Green for all other phases should not be lower than 4 seconds.

LONG VEHICLE OVERSPEED DETECTION SYSTEM LOOP & DETECTION INSTALLATION CHART

LOOP NO.	SIZE (FT)	TURNS	DIST. FROM STOPBAR (FT)	NEW	EXISTING	DETECTOR UNITS			
						FEATURE	TIME	PLACE CALL DURING PHASE	INHIBIT DELAY DURING GREEN?
LV1	6'X6'	4	1015'	X		NONE	- SEC.	ALL	NO
LV2	6'X6'	4	999'	X		NONE	- SEC.	ALL	NO
LV3	6'X6'	4	1015'	X		NONE	- SEC.	ALL	NO
LV4	6'X6'	4	999'	X		NONE	- SEC.	ALL	NO
LV5	6'X6'	4	1015'	X		NONE	- SEC.	ALL	NO
LV6	6'X6'	4	999'	X		NONE	- SEC.	ALL	NO
LV7	6'X6'	4	1015'	X		NONE	- SEC.	ALL	NO
LV8	6'X6'	4	999'	X		NONE	- SEC.	ALL	NO
LVODS THRESHOLD SPEED (MPH)					55	2	6		
LVODS EXTEND TIME					12 SEC.	2	6		

*Phase hold output to controller



Signal Upgrade

Prepared In the Offices of:

 750 N. Greenfield Pkwy, Garner, NC 27529

US 17 (Ocean Hwy.) at SR 1300 (Calabash Rd.) / SR 1168 (Country Club Rd.)
 Division 03 Brunswick County Calabash
 PLAN DATE: November 2009 REVIEWED BY:
 PREPARED BY: I. O. Umozurike REVIEWED BY:
 REVISIONS: Install loops (kqp) [Signature] [Date] [Date]
 SCALE: 1" = 40'

REVISION SEAL
 NORTH CAROLINA PROFESSIONAL ENGINEER
 SEAL 023489
 PAMELA L. ALEXANDER
 DocuSigned by: P. Alexander 7/20/2015
 Not a certified document as to the Original Document but Only as to the Revisions - This document originally issued and sealed by Jason P. Galloway, PE-029904 on 12/18/2009
 This document is only certified as to the revisions.
 SIGNATURE [Signature] DATE [Date]
 SIG. INVENTORY NO. 03-0553