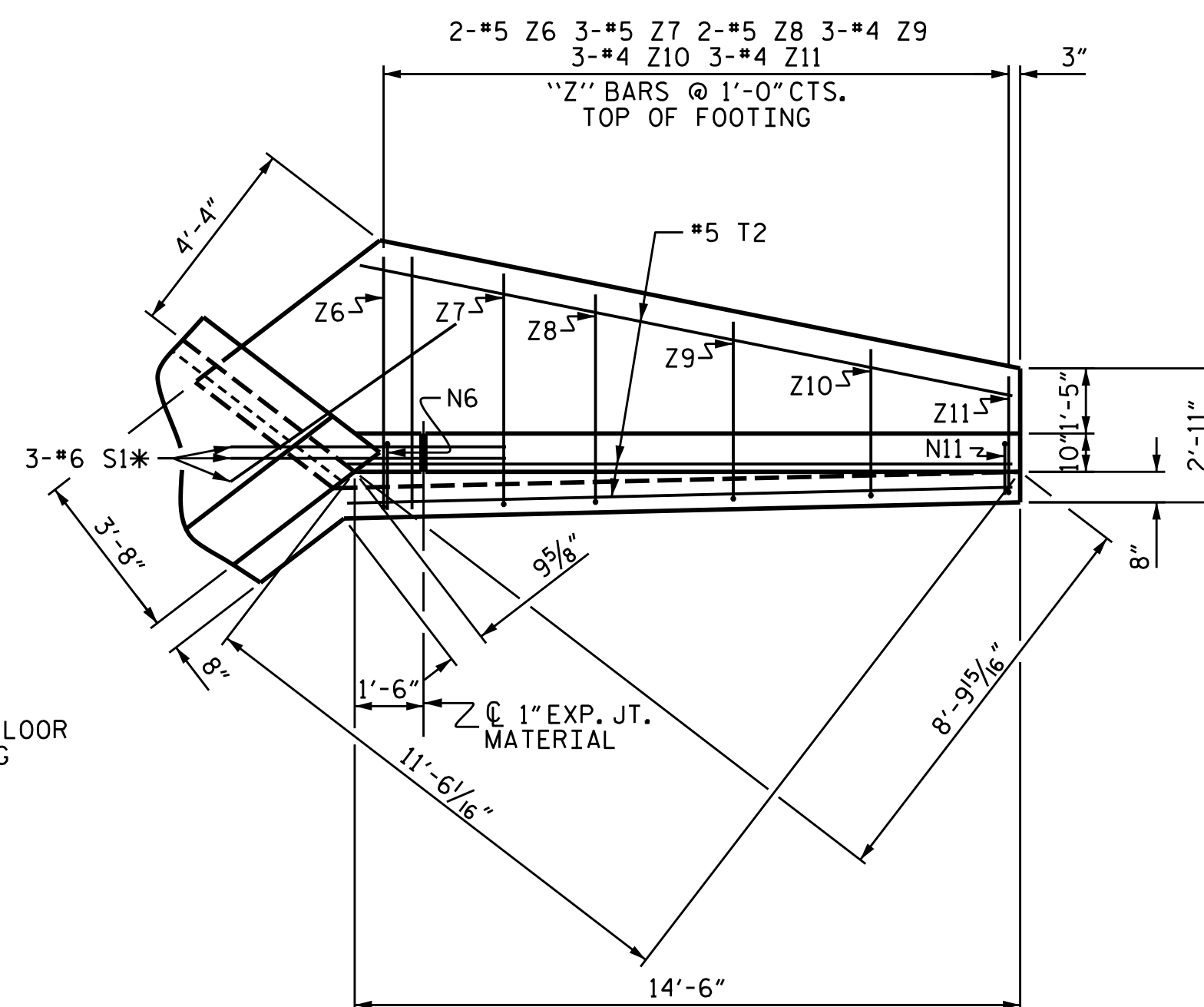
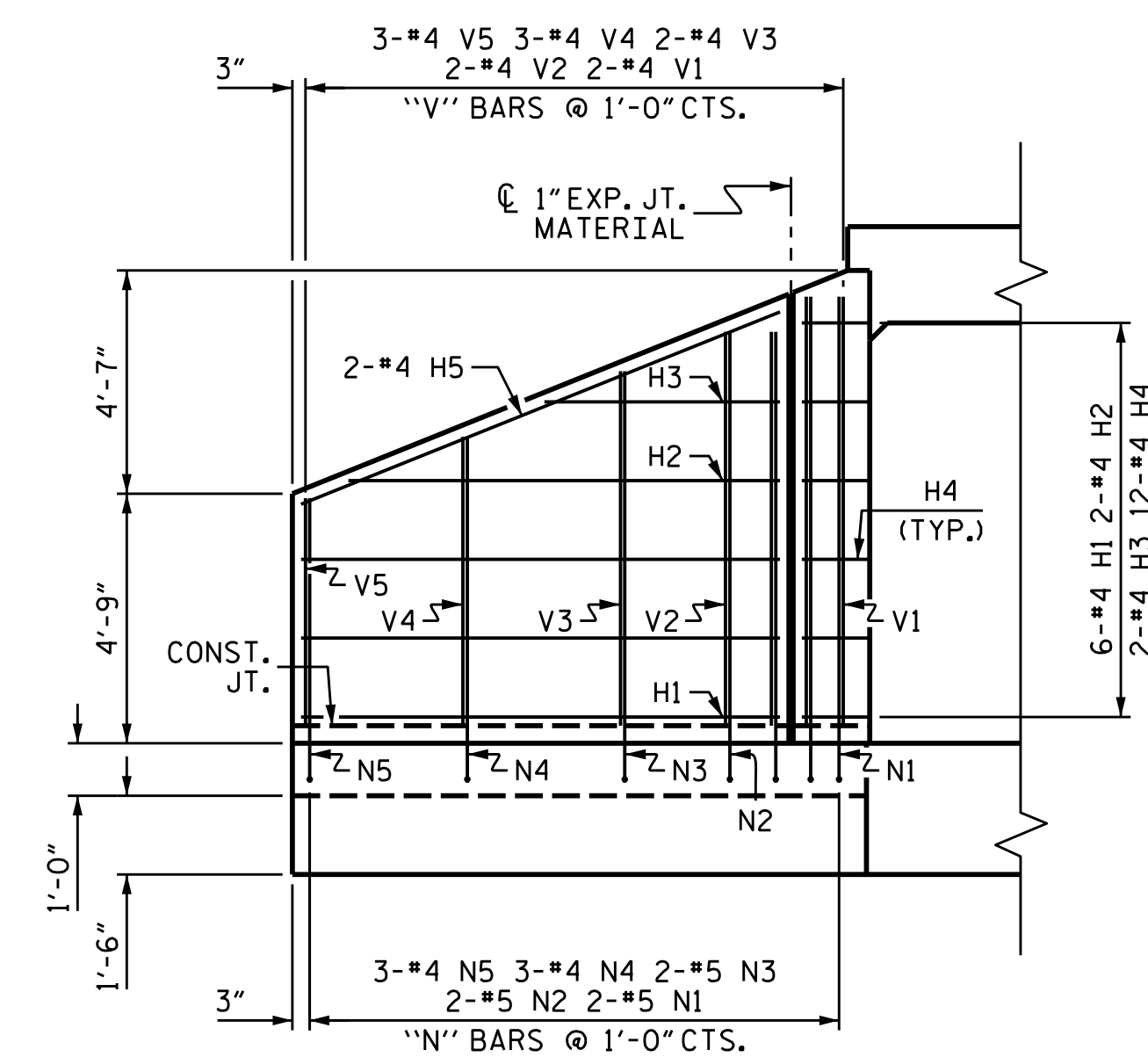


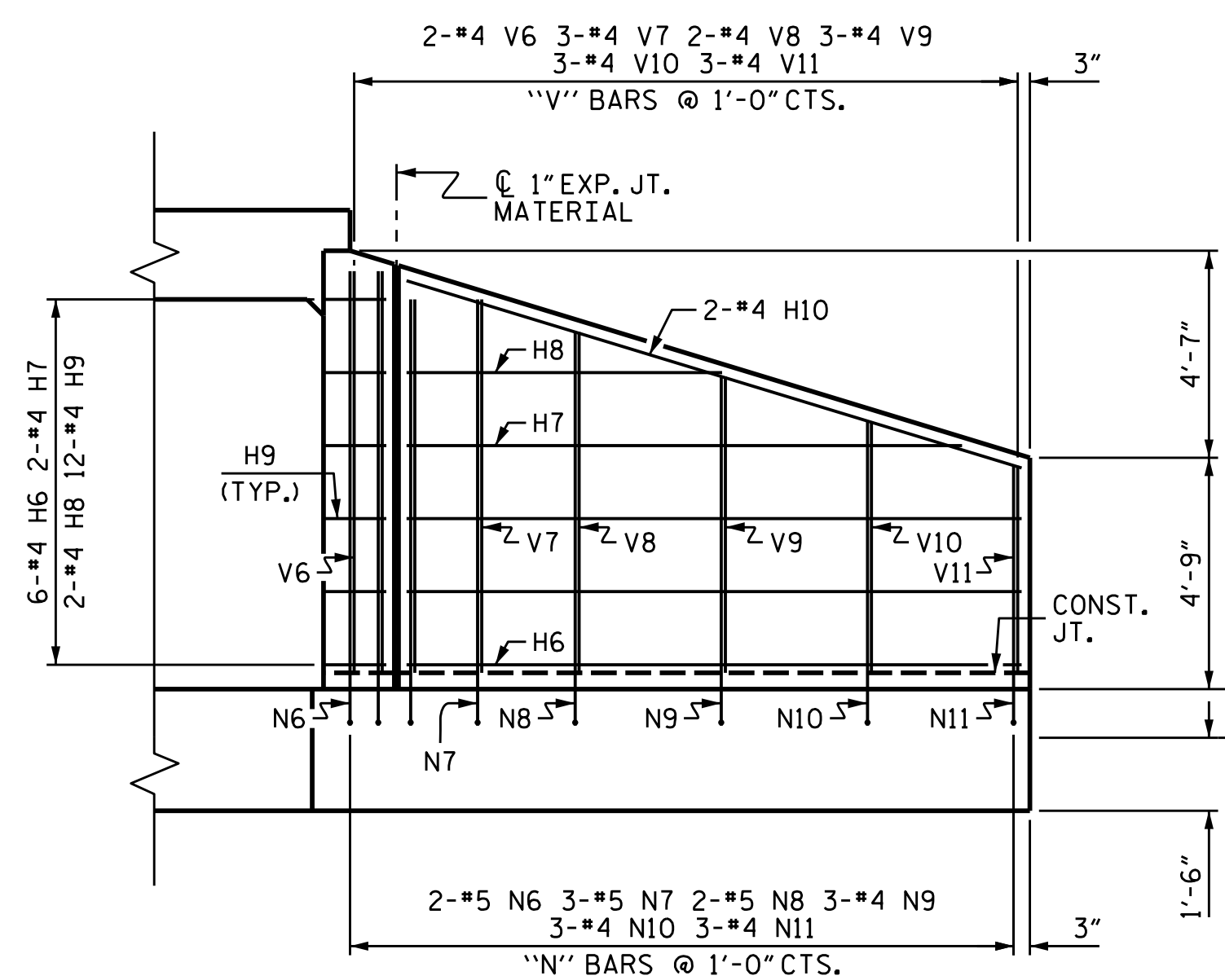
PLAN W3



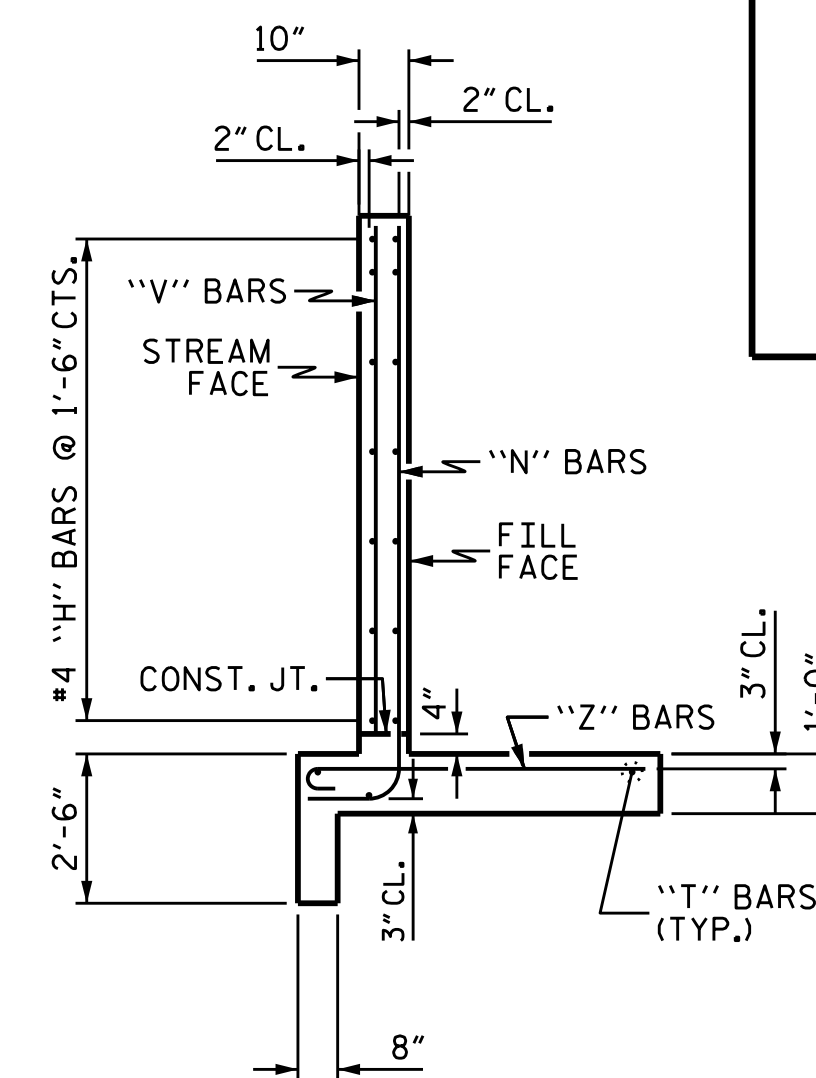
PLAN W4



ELEVATION W3



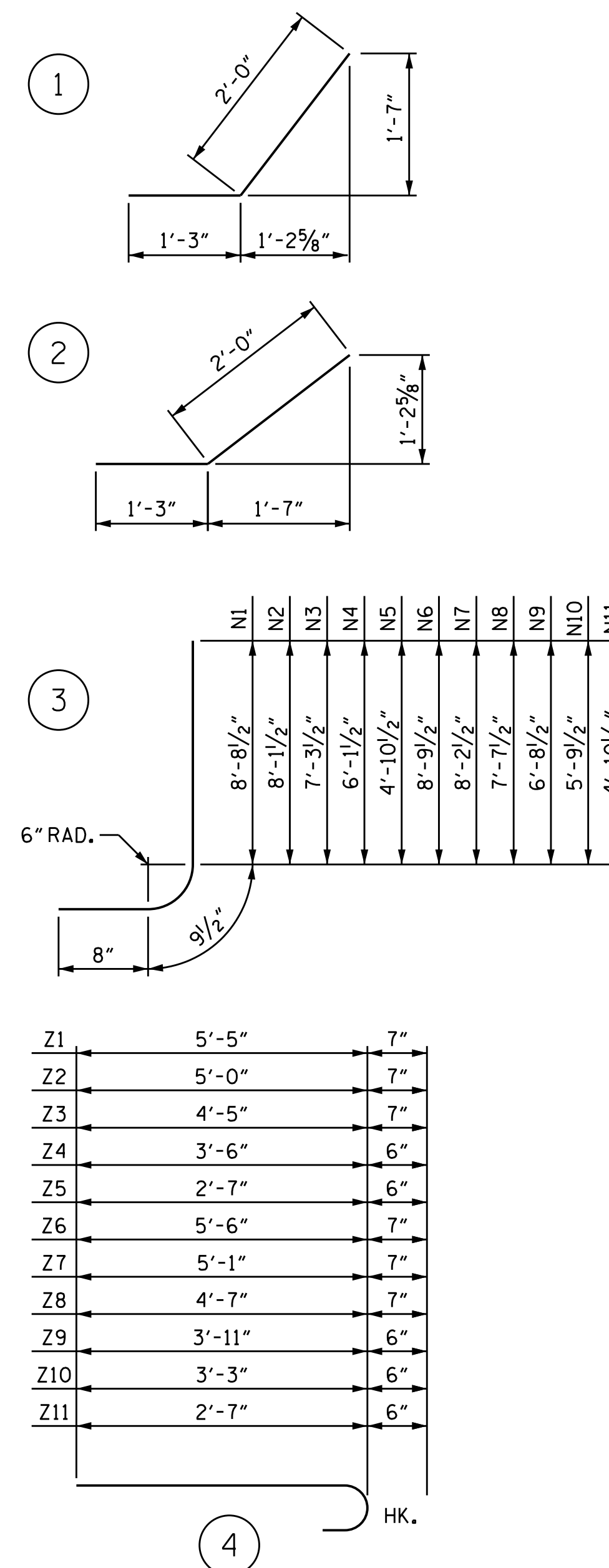
ELEVATION W4



TYPICAL WING SECTION

BAR TYPES

ALL BAR DIMENSIONS ARE OUT TO OUT.



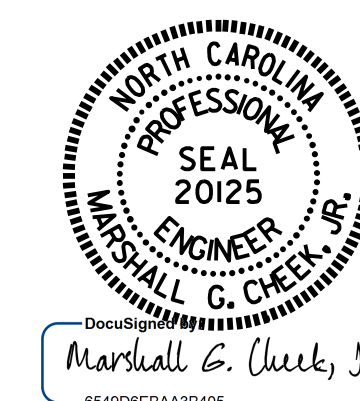
BILL OF MATERIAL

BAR NO.	NO.	SIZE	TYPE	LENGTH	WEIGHT
H1	6	#4	STR	9'-1"	36
H2	2	#4	STR	8'-2"	11
H3	2	#4	STR	4'-5"	6
H4	12	#4	1	3'-3"	26
H5	2	#4	STR	9'-10"	13
H6	6	#4	STR	12'-7"	50
H7	2	#4	STR	11'-4"	15
H8	2	#4	STR	6'-5"	9
H9	12	#4	2	3'-3"	26
H10	2	#4	STR	13'-2"	18
N1	2	#5	3	10'-2"	21
N2	2	#5	3	9'-7"	20
N3	2	#5	3	8'-9"	18
N4	3	#4	3	7'-7"	15
N5	3	#4	3	6'-4"	13
N6	2	#5	3	10'-3"	21
N7	3	#5	3	9'-8"	30
N8	2	#5	3	9'-1"	19
N9	3	#4	3	8'-2"	16
N10	3	#4	3	7'-3"	15
N11	3	#4	3	6'-4"	13
S1	6	#6	STR	6'-0"	54
T1	3	#5	STR	11'-0"	34
T2	3	#5	STR	14'-6"	45
V1	2	#4	STR	8'-2"	11
V2	2	#4	STR	7'-6"	10
V3	2	#4	STR	6'-9"	9
V4	3	#4	STR	5'-6"	11
V5	3	#4	STR	4'-4"	9
V6	2	#4	STR	8'-3"	11
V7	3	#4	STR	7'-8"	15
V8	2	#4	STR	7'-0"	9
V9	3	#4	STR	6'-1"	12
V10	3	#4	STR	5'-2"	10
V11	3	#4	STR	4'-3"	9
Z1	2	#5	4	6'-0"	13
Z2	2	#5	4	5'-7"	12
Z3	2	#5	4	5'-0"	10
Z4	3	#4	4	4'-0"	8
Z5	3	#4	4	3'-1"	6
Z6	2	#5	4	6'-1"	13
Z7	3	#5	4	5'-8"	18
Z8	2	#5	4	5'-2"	11
Z9	3	#4	4	4'-5"	9
Z10	3	#4	4	3'-9"	8
Z11	3	#4	4	3'-1"	6
REINFORCING STEEL				774	LBS.
FOR 2 WINGS					
CLASS A CONCRETE					
2 WINGS				11.3	C.Y.
1 HEADWALL				0.5	C.Y.
1 END CURTAIN WALLS				0.4	C.Y.
TOTAL				12.2	C.Y.

PROJECT NO. R-2603
 WILKES COUNTY
 STATION: 59+43.00 -L-

SHEET 8 OF 10

STATE OF NORTH CAROLINA
 DEPARTMENT OF TRANSPORTATION
 RALEIGH
 STANDARD WINGS
 FOR
 CONCRETE BOX CULVERT
 STAGE I
 H = 8'-0" SLOPE = 2:1
 75°SKEW



7/22/2015

ASSEMBLED BY : H. T. BARBOUR DATE : 6-16-14
 CHECKED BY : S. B. WILLIAMS DATE : 12-14
 DRAWN BY : CCJ 01/00
 CHECKED BY : RWW 03/00

REVISIONS						SHEET NO.
NO.	BY:	DATE:	NO.	BY:	DATE:	C-8
1			3			TOTAL SHEETS
2			4			10