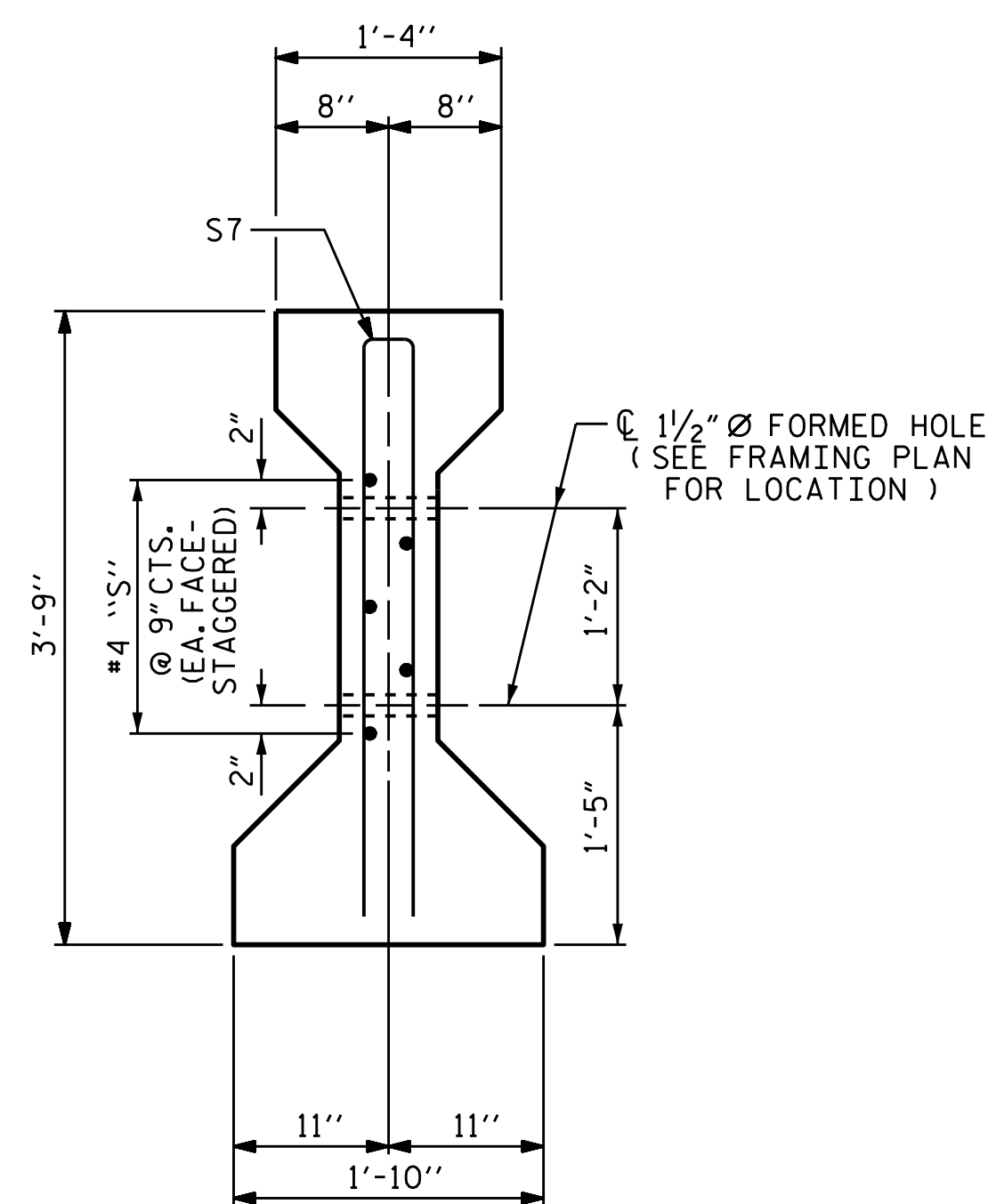
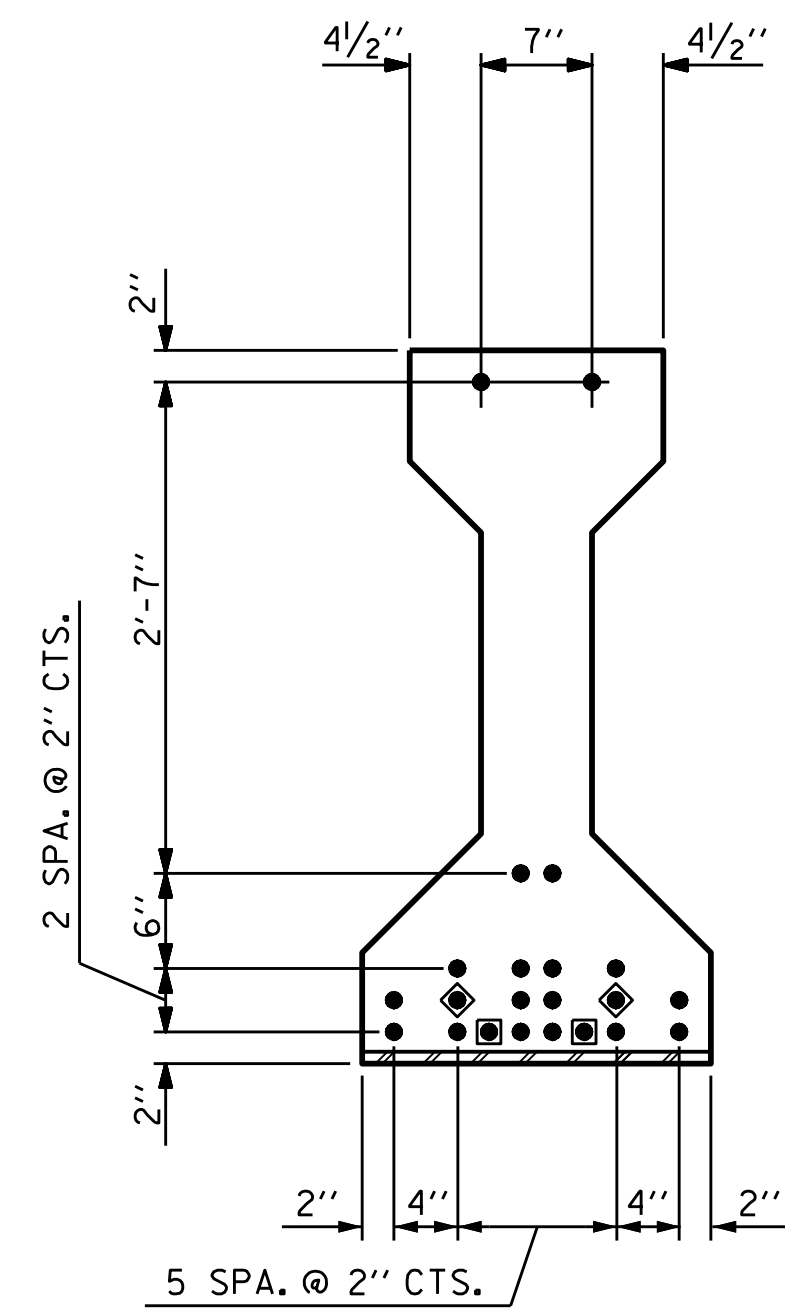


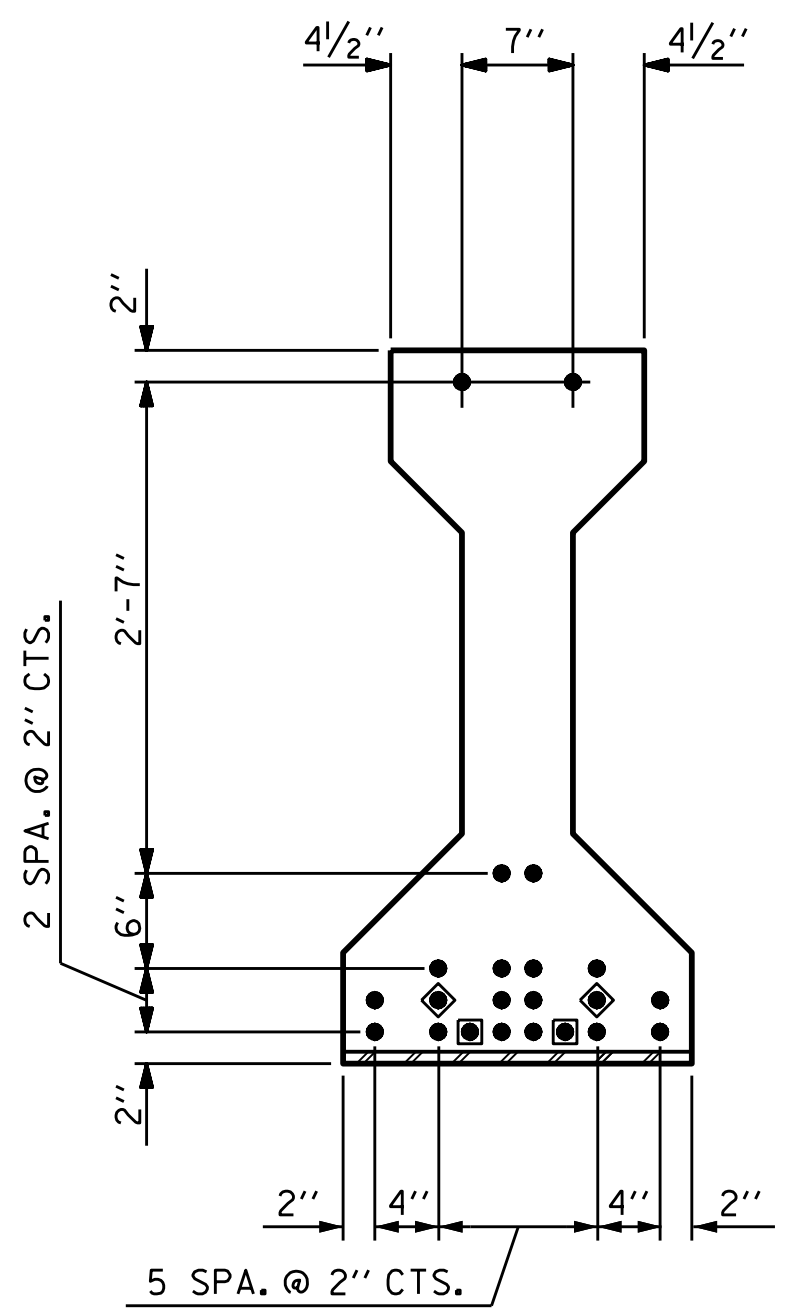
SECTION B-B



SECTION C-C
(S1 BARS NOT SHOWN)



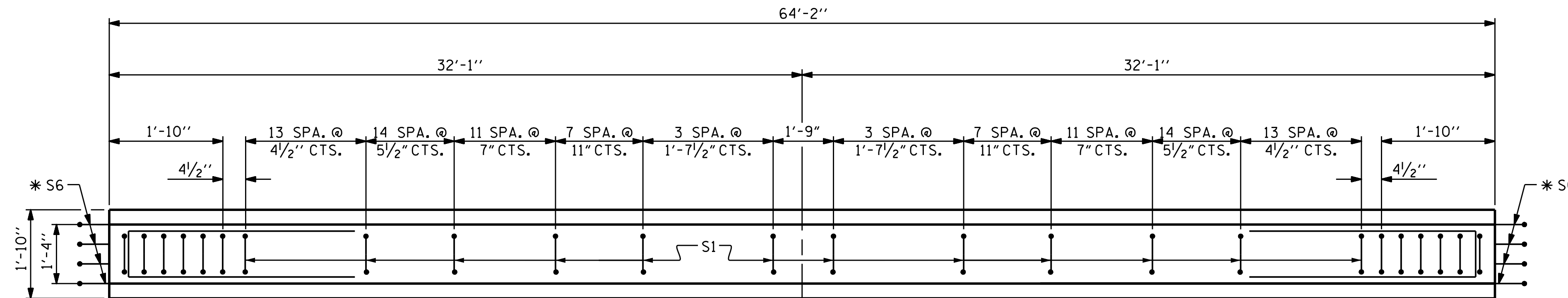
AT END OF GIRDER



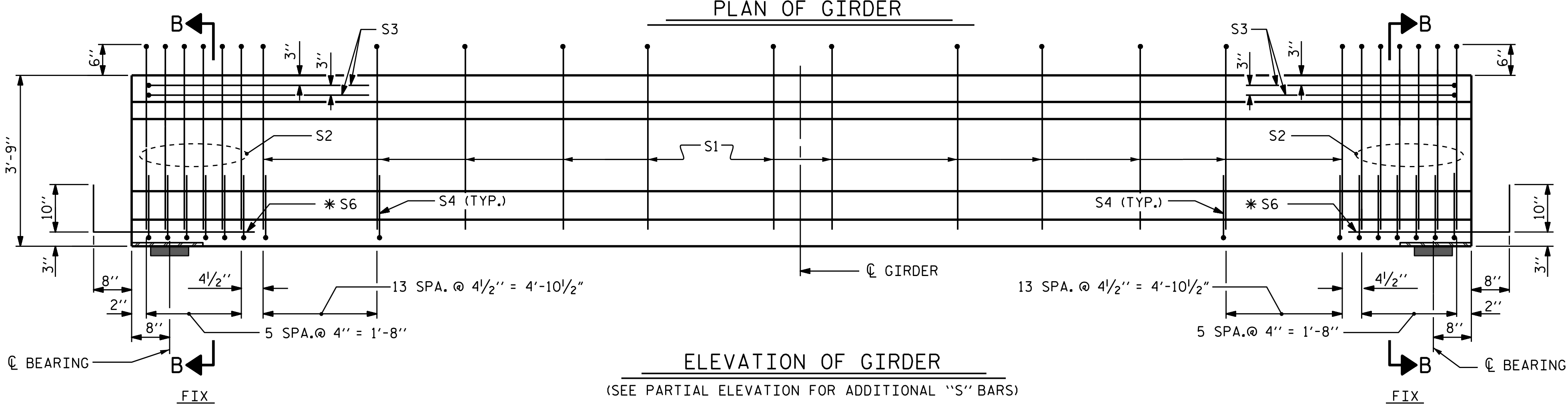
AT C OF GIRDER

0.6" Ø LOW RELAXATION STRAND LAYOUT

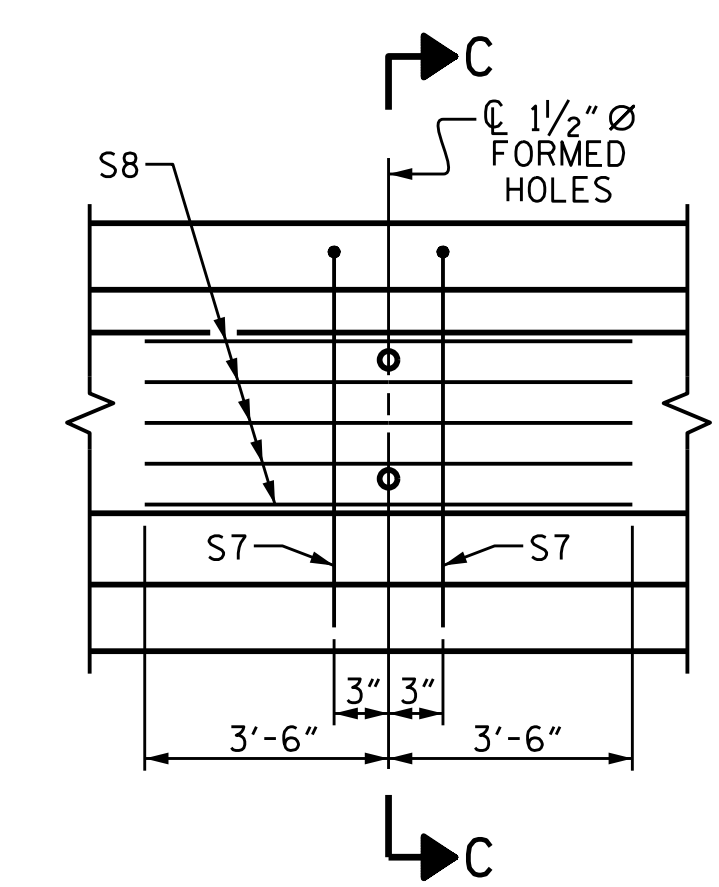
- FULLY BONDED STRANDS
- ◆ STRANDS DEBONDED FOR 18'-0" FROM END OF GIRDER.
- STRANDS DEBONDED FOR 20'-0" FROM END OF GIRDER.



PLAN OF GIRDER



ELEVATION OF GIRDER
(SEE PARTIAL ELEVATION FOR ADDITIONAL "S" BARS)



PARTIAL ELEVATION

SHOWING INTERMEDIATE DIAPHRAGM REINFORCING STEEL FOR GIRDERS B1 THRU B4

0.6" Ø L. R. GRADE 270 STRANDS

AREA (SQUARE INCHES)	ULTIMATE STRENGTH (LBS. PER STRAND)	APPLIED PRESTRESS (LBS. PER STRAND)
0.217	58,600	43,950

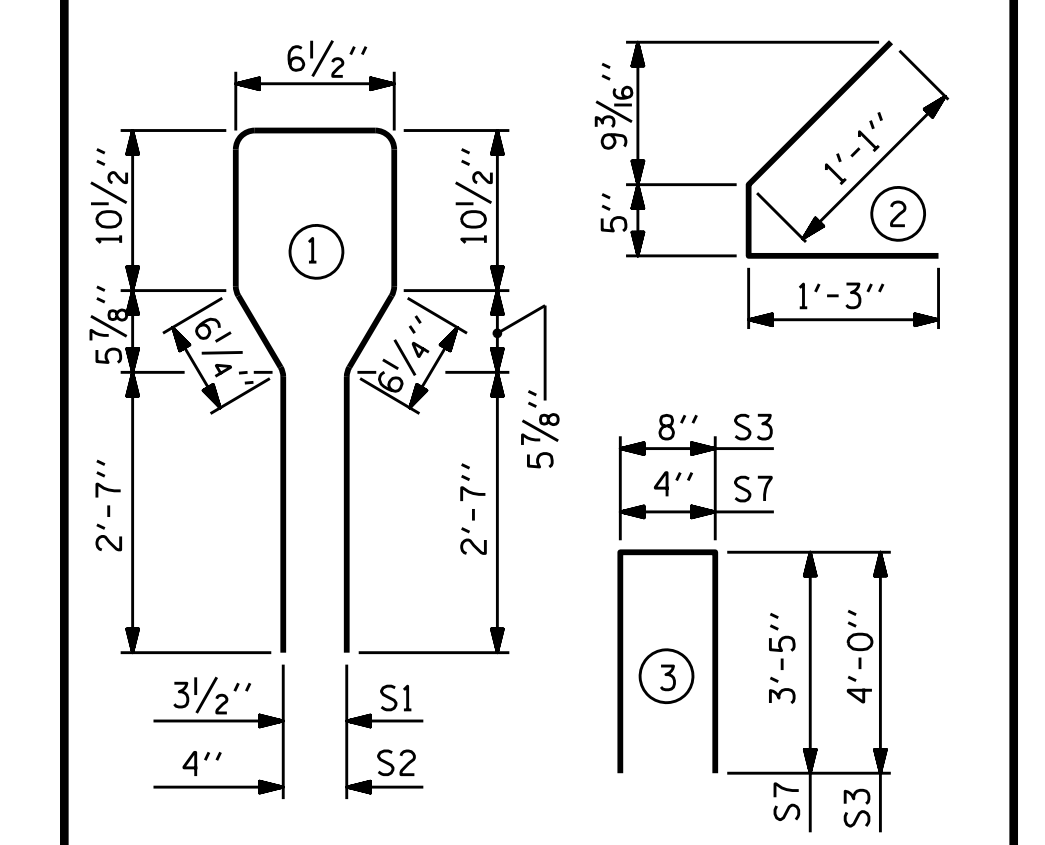
REINFORCING STEEL FOR ONE GIRDER

BAR	NUMBER	SIZE	TYPE	LENGTH	WEIGHT
S1	98	#4	1	8'-6"	556
S2	12	#6	1	8'-6"	153
S3	4	#4	3	8'-8"	23
S4	80	#4	2	2'-9"	147
* S6	8	#5	STR	3'-8"	31
S7	2	#5	3	7'-2"	15
S8	5	#4	STR	7'-0"	23

* NOTE: S6 BARS SHALL BE BENT BEFORE SHIPMENT. HEAT BENDING SHALL NOT BE ALLOWED.

BAR TYPES

ALL BAR DIMENSIONS ARE OUT-TO-OUT



QUANTITIES FOR ONE GIRDER

REINFORCING STEEL (LBS.)	5500 PSI CONCRETE (C.Y.)	0.6" Ø L. R. STRANDS (No.)
948	9.2	22

GIRDERS REQUIRED

NUMBER	LENGTH	TOTAL LENGTH
4	64'-2"	256'-8"

PROJECT NO. R-2603
WILKES COUNTY
STATION: 117+35.00 -L-

SHEET 2 OF 5

STATE OF NORTH CAROLINA
DEPARTMENT OF TRANSPORTATION
RALEIGH
STANDARD
AASHTO TYPE III
PRESTRESSED CONCRETE GIRDER
CONTINUOUS FOR LIVE LOAD
SPAN B

REVISIONS						SHEET NO.	
NO.	BY:	DATE:	NO.	BY:	DATE:	S-20	
1			3			TOTAL SHEETS 47	
2			4				

ASSEMBLED BY : D. A. GLADDEN DATE : 7-10-13
CHECKED BY : H. T. BARBOUR DATE : 8-13
DRAWN BY : ELR 8/91
CHECKED BY : GRP 8/91

REV. 5/1/06R TLA/GM
REV. 10/1/11 MAA/GM
REV. 1/15 MAA/TMG
DESIGN ENGINEER OF RECORD: B.A. DUKE DATE : 7-15

