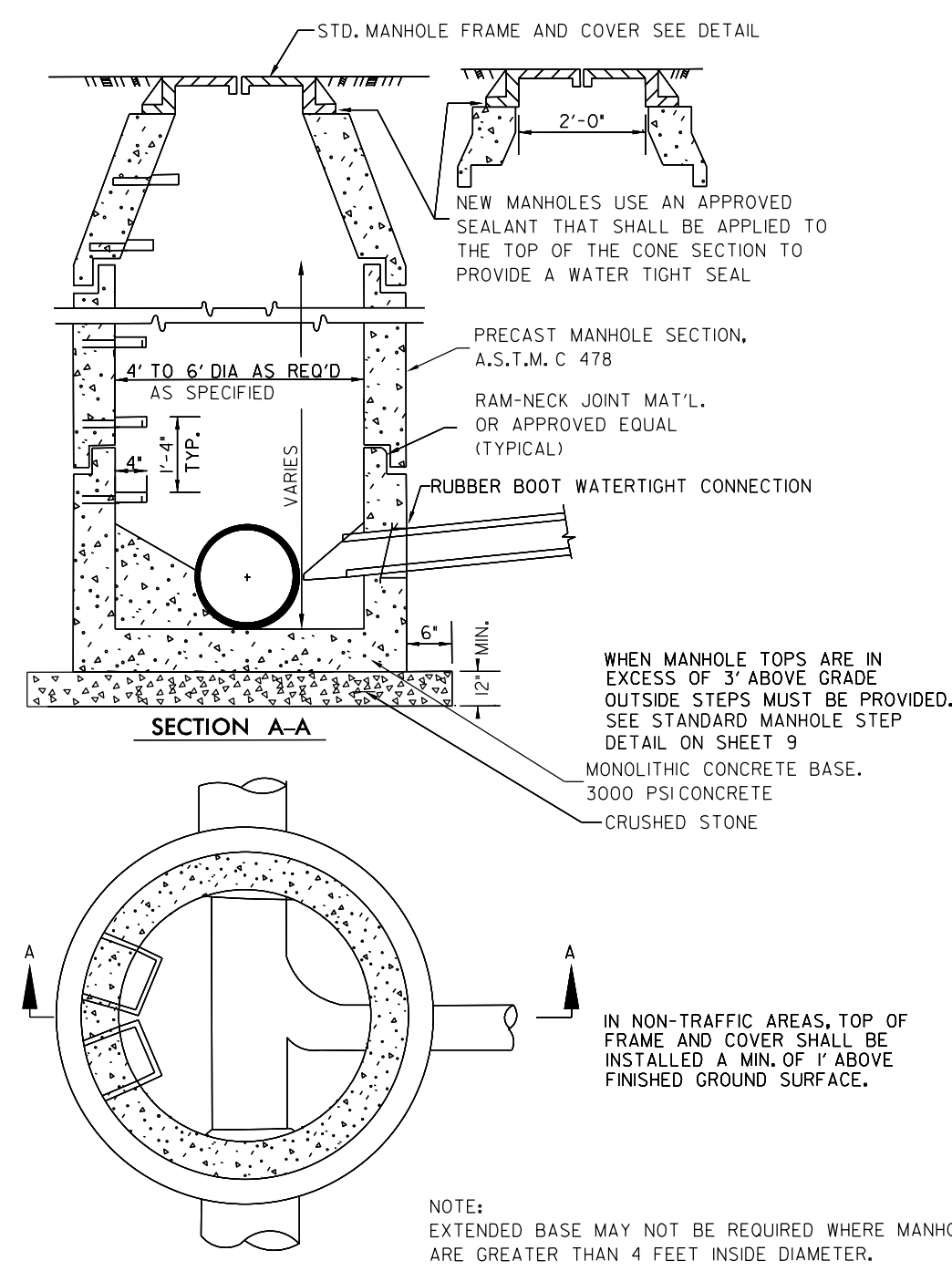
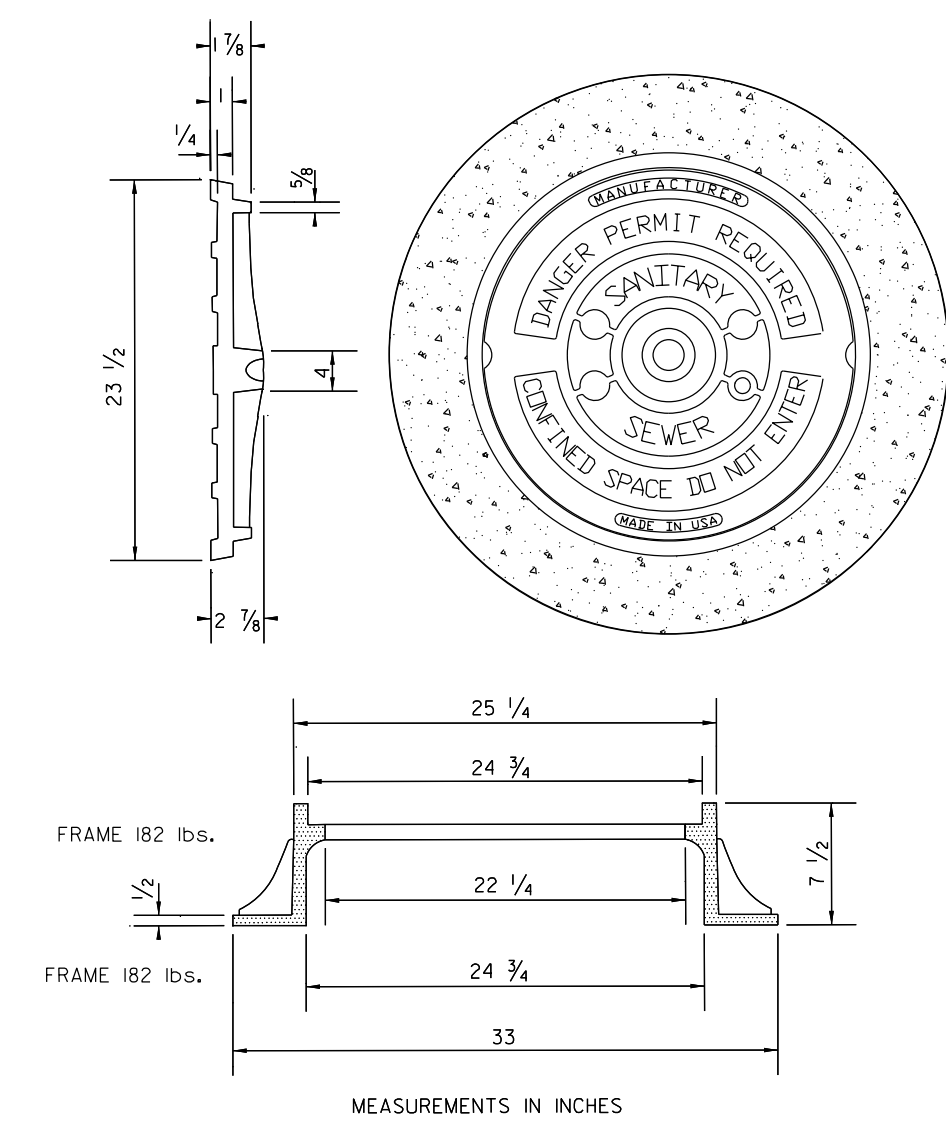


PROJECT REFERENCE NO.	SHEET NO.
R-2603	UC-3C
DESIGNED BY: B. DIXON	
DRAWN BY: R. MOSS	
CHECKED BY: B. DIXON	
APPROVED BY:	
REVISED:	
MUNICIPAL ENGINEERING SERVICES COMPANY, P.A.L.	04/13/2015
P.O. BOX 97 GARNER, NC 27529 (919) 772-5395	UTILITY CONSTRUCTION PLANS ONLY

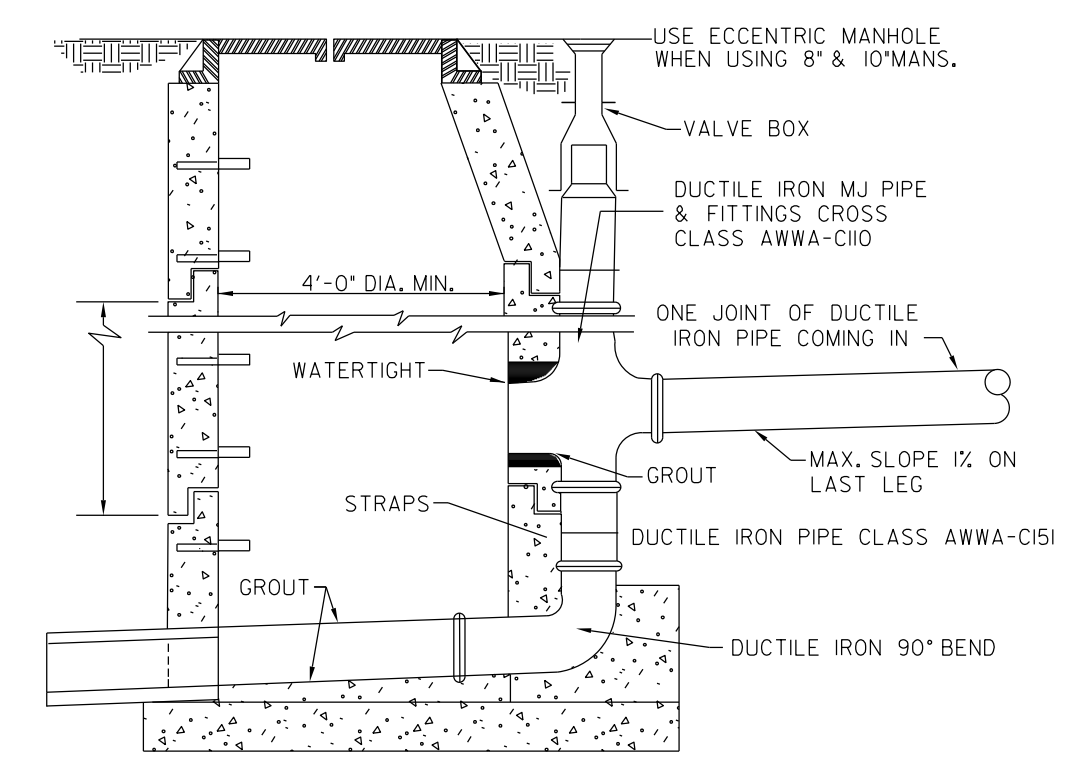
PROJECT TYPICAL DETAILS (SEWER)



STANDARD PRECAST SANITARY SEWER MANHOLE

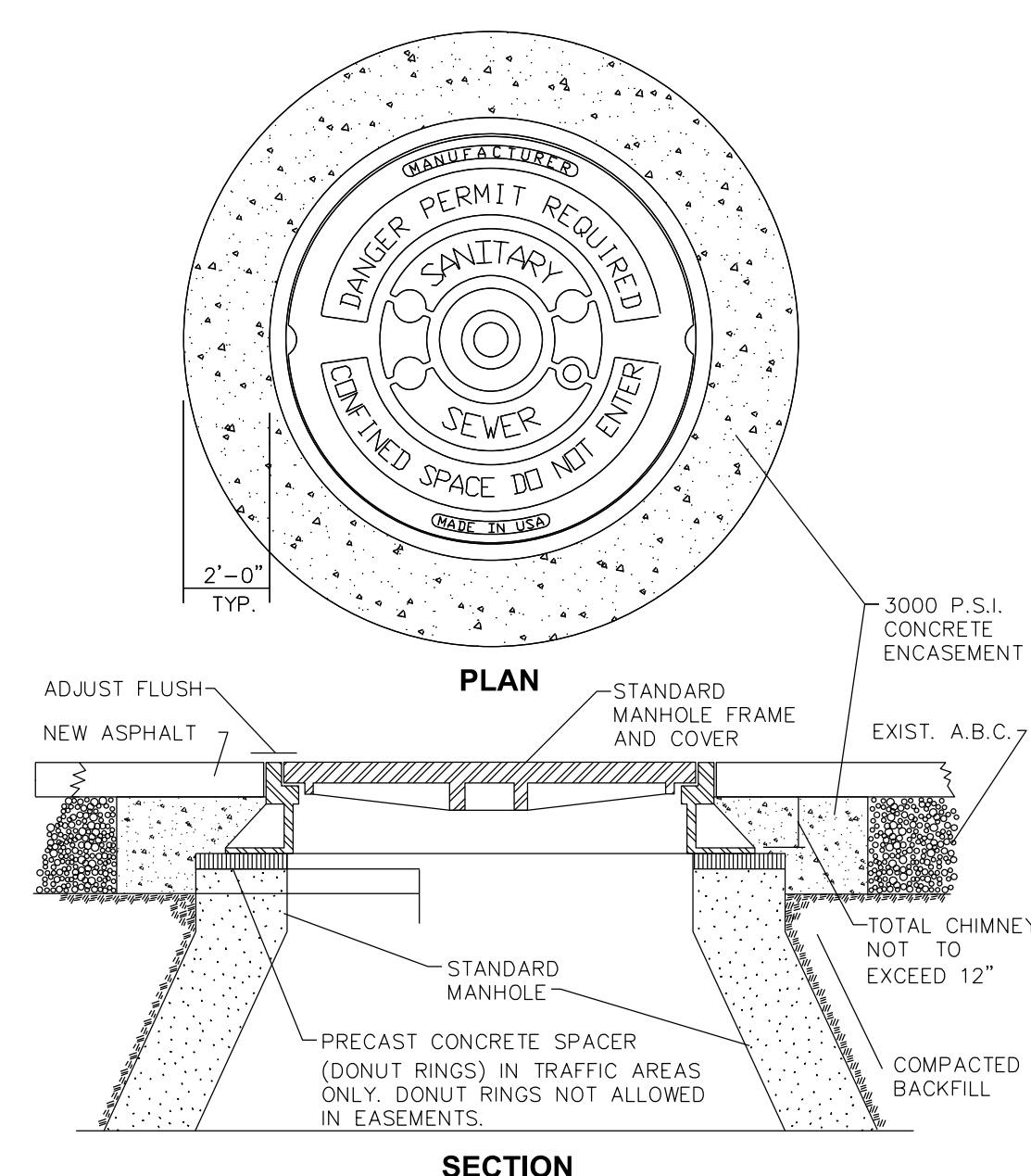


STANDARD MANHOLE COVER

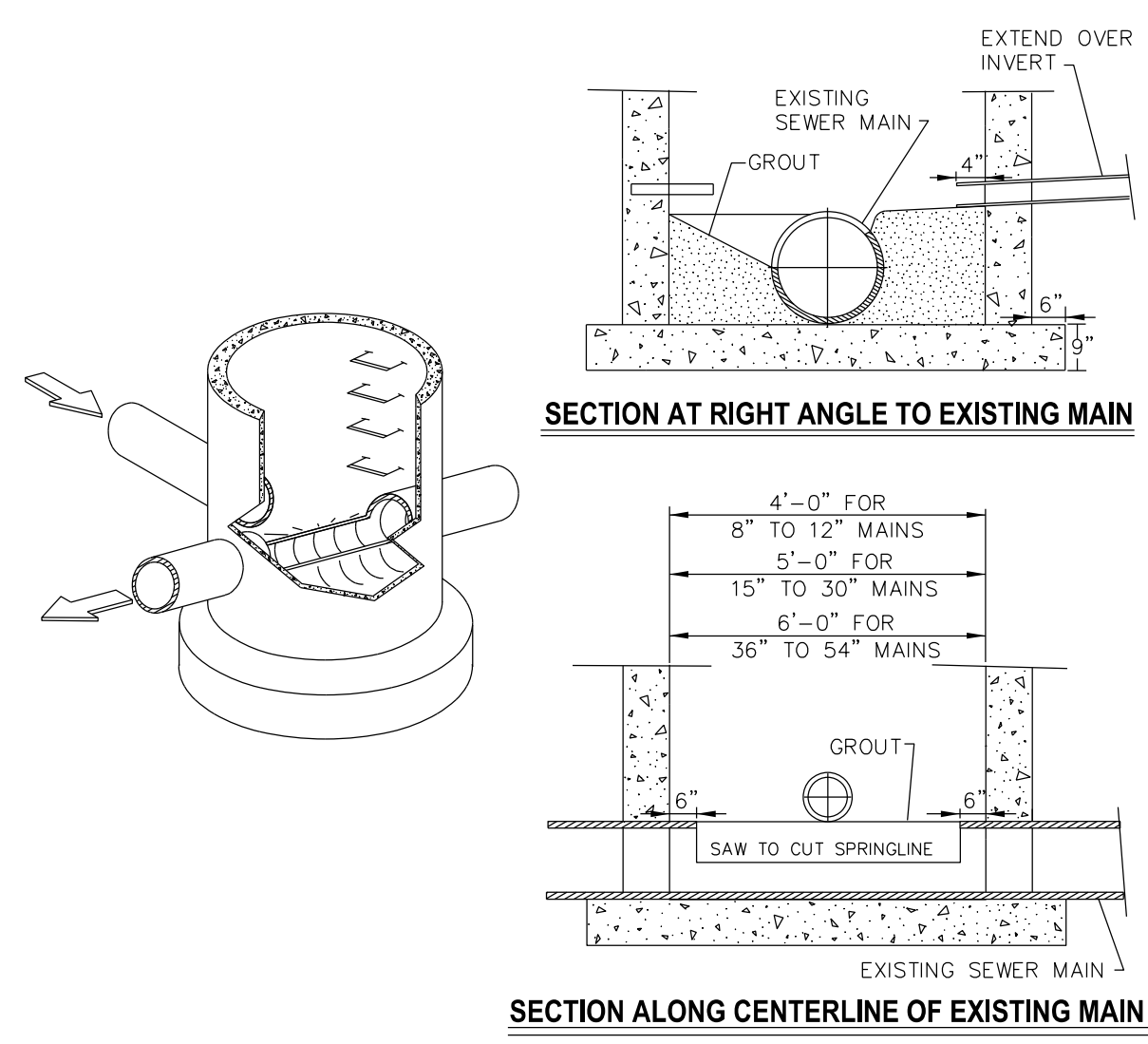


- NOTES:
- PIPE SIZE FOR DROP TO EQUAL INFLOW SEWER PIPE SIZE
 - SAW-CUT OR DRILL ALL HOLES FOR PIPE AND BOLTS.
 - DROP-MANHOLE MANDATORY WHEN DIFFERENTIAL BETWEEN INVERTS IS GREATER THAN 3'-0".
 - SEE PRECAST MANHOLE DETAIL.

STANDARD OUTSIDE DROP MANHOLE

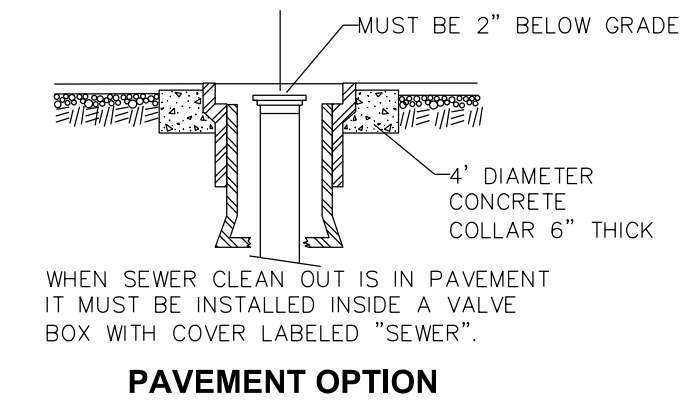
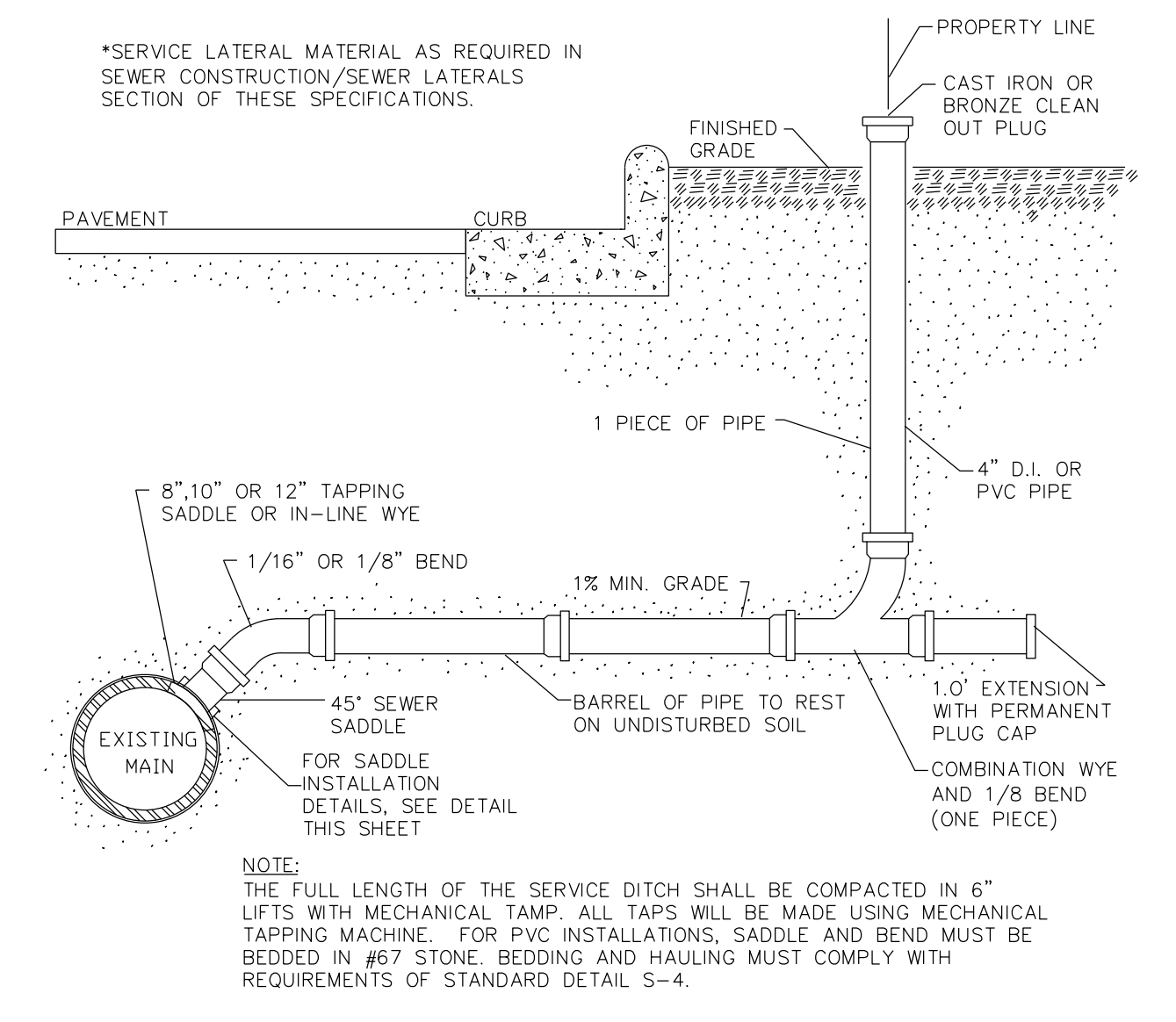


STANDARD MANHOLE FRAME AND COVER DETAIL WITHIN PAVED SURFACES



- NOTES:
- FLOW SHALL BE MAINTAINED DURING CONSTRUCTION.
 - THIS DETAIL TO BE USED WHEN A 6" OR LARGER LATERAL NECESSITATES CONSTRUCTION OF A NEW MANHOLE.
 - SEE STANDARD PRECAST MANHOLE & DETAILS.
 - THE CONTRACTOR SHALL PROVIDE A MINIMUM 6" COMPACTED # 67 STONE BASE.
 - FOR USE ON DIP AND PVC ONLY. (NOT ALLOWED ON VCP)
 - SEE CONCRETE BASE DETAIL FOR REINFORCING.

STANDARD MANHOLE INSTALLATION OVER EXISTING SEWER MAIN



TYPICAL SANITARY SEWER LATERAL CONNECTION