

- 1 INSTALL REA, PE – 22, SHIELDED, TWISTED PAIR COMMUNICATIONS CABLE
- 2 INSTALL REA, PE – 38, (FIGURE – 8) SHIELDED, TWISTED PAIR COMMUNICATIONS CABLE
- 3 INSTALL REA, PE – 39, (UNDERGROUND) SHIELDED, TWISTED PAIR COMMUNICATIONS CABLE
- 4 INSTALL SMFO CABLE
- 5 INSTALL MMFO CABLE
- 6 INSTALL FIBER OPTIC DROP CABLE
- 7 INSTALL TRACER WIRE
- 8 TRENCH
- 9 INSTALL PVC CONDUIT
- 10 INSTALL RIGID, GALVANIZED STEEL CONDUIT
- 11 INSTALL RIGID, GALVANIZED STEEL RISER WITH WEATHERHEAD
- 12 INSTALL RIGID, GALVANIZED STEEL RISER WITH FIBER OPTIC CABLE SEAL
- 13 INSTALL OUTER-DUCT POLYETHYLENE CONDUIT
- 14 INSTALL POLYETHYLENE CONDUIT
- 15 DIRECTIONAL DRILL CONDUIT
- 16 BORE AND JACK CONDUIT
- 17 INSTALL CABLE(S) IN EXISTING CONDUIT
- 18 INSTALL CABLE(S) IN NEW CONDUIT
- 19 INSTALL CABLE(S) IN EXISTING RISER
- 20 INSTALL CABLE(S) IN NEW RISER
- 21 INSTALL CABLE(S) IN EXISTING CONDUIT STUBOUTS
- 22 INSTALL NEW CONDUIT INTO EXISTING CABINET BASE (USE EXISTING CONDUIT STUB-OUTS WHEN AVAILABLE)
- 23 INSTALL NEW RISER INTO EXISTING CABINET BASE (USE EXISTING CONDUIT STUB-OUTS WHEN AVAILABLE)
- 24 INSTALL NEW CONDUIT INTO EXISTING POLE MOUNTED CABINET
- 25 INSTALL NEW RISER INTO EXISTING POLE MOUNTED CABINET
- 26 TERMINATE COMMUNICATIONS CABLE ON EXISTING TELEMETRY INTERFACE PANEL IN TRAFFIC SIGNAL CONTROLLER CABINET
- 27 INSTALL NEW TELEMETRY INTERFACE PANEL IN TRAFFIC SIGNAL CONTROLLER CABINET
- 28 INSTALL INTERCONNECT CENTER, PATCH PANEL, JUMPERS, AND FUSION SPlice CABLE IN CABINET
- 29 INSTALL UNDERGROUND SPlice ENCLOSURE
- 30 INSTALL AERIAL SPlice ENCLOSURE
- 31 INSTALL POLE MOUNTED SPlice CABINET
- 32 INSTALL BASE MOUNTED SPlice CABINET
- 33 REMOVE EXISTING SPlice CABINET
- 34 INSTALL CABINET FOUNDATION

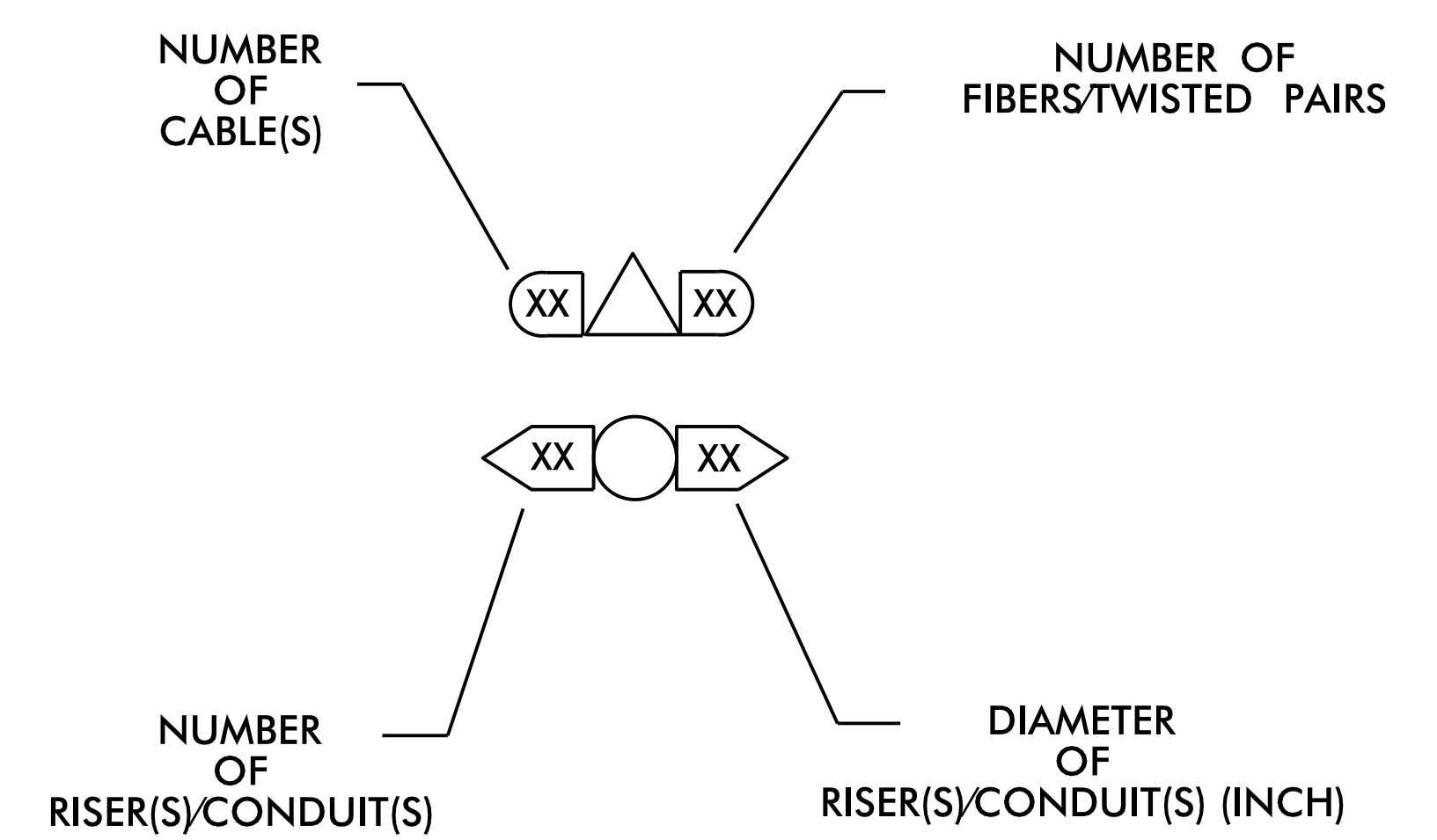
- 35 REMOVE EXISTING CABINET FOUNDATION
- 36 INSTALL CCTV CAMERA ASSEMBLY
- 37 INSTALL CCTV CAMERA WOOD POLE
- 38 INSTALL CCTV CAMERA METAL POLE AND FOUNDATION
- 39 INSTALL JUNCTION BOX
- 40 INSTALL OVERSIZED JUNCTION BOX
- 41 REMOVE EXISTING JUNCTION BOX
- 42 INSTALL WOOD POLE
- 43 REMOVE EXISTING WOOD POLE
- 44 INSTALL AERIAL GUY ASSEMBLY
- 45 INSTALL STANDARD GUY ASSEMBLY
- 46 INSTALL SIDEWALK GUY ASSEMBLY
- 47 INSTALL MESSENGER CABLE
- 48 REMOVE EXISTING COMMUNICATIONS CABLE AND MESSENGER CABLE
- 49 REMOVE EXISTING COMMUNICATIONS CABLE
- 50 INSTALL TELEPHONE SERVICE
- 51 INSTALL CABLE STORAGE RACKS (SNOW SHOES) AND STORE 100 FEET OF CABLE
- 52 INSTALL DELINEATOR MARKER
- 53 STORE 20 FEET OF COMMUNICATIONS CABLE
- 54 LASH CABLE(S) TO EXISTING SIGNAL/COMMUNICATIONS CABLE
- 55 LASH CABLE(S) TO EXISTING MESSENGER CABLE
- 56 LASH CABLE(S) TO NEW MESSENGER CABLE
- 57 MODIFY EXISTING ELECTRICAL SERVICE
- 58 INSTALL NEW ELECTRICAL SERVICE

**LEGEND**

- FO ——— FO ——— NEW FIBER OPTIC COMMUNICATIONS CABLE
- TWIST PR ——— NEW TWISTED PAIR COMMUNICATIONS CABLE
- EXI ——— EXISTING COMMUNICATIONS CABLE
- REM ——— EXISTING COMMUNICATIONS CABLE TO BE REMOVED
- NEW AERIAL GUY ASSEMBLY
- NEW CONDUIT
- EXISTING CONDUIT
- DD ——— DD ——— NEW DIRECTIONAL DRILLED CONDUIT
- B&J ——— B&J ——— NEW BORED AND JACKED CONDUIT
- NEW JUNCTION BOX
- EXISTING JUNCTION BOX
- NEW WOOD POLE
- EXISTING WOOD POLE
- ⊙ NEW AERIAL SPlice ENCLOSURE
- ⊠ NEW METAL POLE
- ⊡ EXISTING METAL POLE
- ▶ NEW CCTV CAMERA ASSEMBLY
- ← NEW STANDARD GUY ASSEMBLY
- ← NEW STANDARD GUY USING EXISTING ANCHOR
- ↪ NEW SIDEWALK GUY ASSEMBLY
- ⊗ NEW CABLE STORAGE RACKS (SNOW SHOES)
- ⊞ EXISTING CONTROLLER AND CABINET
- ⊞ EXISTING SPlice CABINET
- ⊞ NEW SPlice CABINET
- SP SIGNAL POLE
- XX-XXXX SIGNAL INVENTORY NUMBER

**CONSTRUCTION NOTE SYMBOLOGY KEY**

- ⊞ INDICATES NUMBER OF CABLES, LOOPS, ETC.
- ⊞ INDICATES NUMBER OF FIBERS PER CABLE, TWISTED PAIRS PER CABLE, ETC.
- ◁ XX INDICATES NUMBER OF RISER(S)/CONDUIT(S)
- ▷ XX INDICATES DIAMETER OF RISER(S)/CONDUIT(S) (INCH)



	<b>CONSTRUCTION NOTES</b>		SEAL NORTH CAROLINA PROFESSIONAL ENGINEER 023919 GREGORY A. FULLER
	DIVISION 11 WILKES COUNTY NORTH WILKESBORO PLAN DATE: JANUARY 2015 REVIEWED BY: Nick Avery PREPARED BY: P. C. LOUDER REVIEWED BY: 09F50B4C8ED3443		
750 N. Greenfield Pkwy., Garner, NC 27529 SCALE NA 0 _____ NA	REVISIONS _____ _____	INIT. DATE _____ _____	CADD Filename: