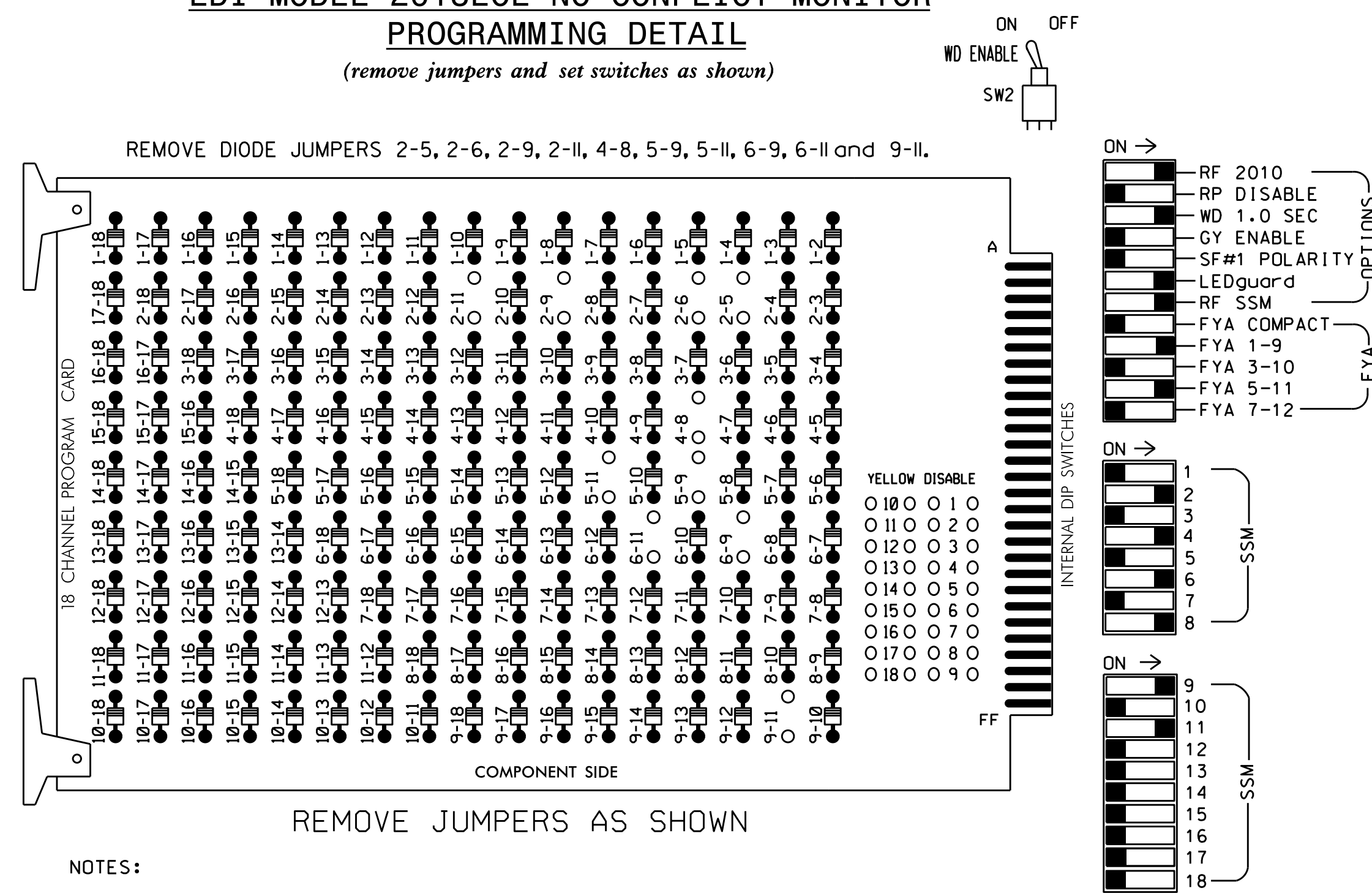


EDI MODEL 2018ECL-NC CONFLICT MONITOR PROGRAMMING DETAIL

(remove jumpers and set switches as shown)



NOTES:

1. Card is provided with all diode jumpers in place. Removal of any jumper allows its channels to run concurrently.
2. Ensure jumpers SEL2-SEL5 and SEL9 are present on the monitor board.
3. Ensure that Red Enable is active at all times during normal operation.
4. Connect serial cable from conflict monitor to comm. port 1 of 2070 controller. Ensure conflict monitor communicates with 2070.

NOTES

1. To prevent "flash-conflict" problems, insert red flash program blocks for all unused vehicle load switches in the output file. The installer shall verify that signal heads flash in accordance with the Signal Plans
2. Program phases 4 and 8 for Dual Entry
3. Enable Simultaneous Gap-Out for all phases
4. Program phases 2 and 6 for Variable Initial and Gap Reduction
5. Program phases 2 and 6 for Start Up In Green
6. Program phases 2 and 6 for Yellow Flash, and overlap 1 as Wag Overlaps

EQUIPMENT INFORMATION

CONTROLLER.....2070L
 CABINET.....332 /W/ AUX
 SOFTWARE.....ECONOLITE OASIS
 CABINET MOUNT.....BASE
 OUTPUT FILE POSITIONS...18 WITH AUX. OUTPUT FILE
 LOAD SWITCHES USED.....S2,S5,S7,S8,S11,AUX S1,AUX S4
 PHASES USED.....2,4,5,6,8
 OVERLAP "A".....2
 OVERLAP "B".....NOT USED
 OVERLAP "C".....5+6
 OVERLAP "D".....NOT USED

SIGNAL HEAD HOOK-UP CHART

LOAD SWITCH NO.	S1	S2	S3	S4	S5	S6	S7	S8	S9	S10	S11	S12	AUX S1	AUX S2	AUX S3	AUX S4	AUX S5	AUX S6
CMU CHANNEL NO.	1	2	13	3	4	14	5	6	15	7	8	16	9	10	17	11	12	18
PHASE	1	2	2 PED	3	4	4 PED	5	6	6 PED	7	8	8 PED	OLA	OLB	SPARE	OLC	OLD	SPARE
SIGNAL HEAD NO.	NU	21,22	NU	NU	41,42	NU	51	62,63	NU	NU	81,82	NU	61	NU	NU	51	NU	NU
RED		128			101			134			107							
YELLOW		129			102		*	135			108							
GREEN		130			103			136			109							
RED ARROW													A121			A114		
YELLOW ARROW													A122			A115		
FLASHING YELLOW ARROW													A123			A116		
GREEN ARROW								133										

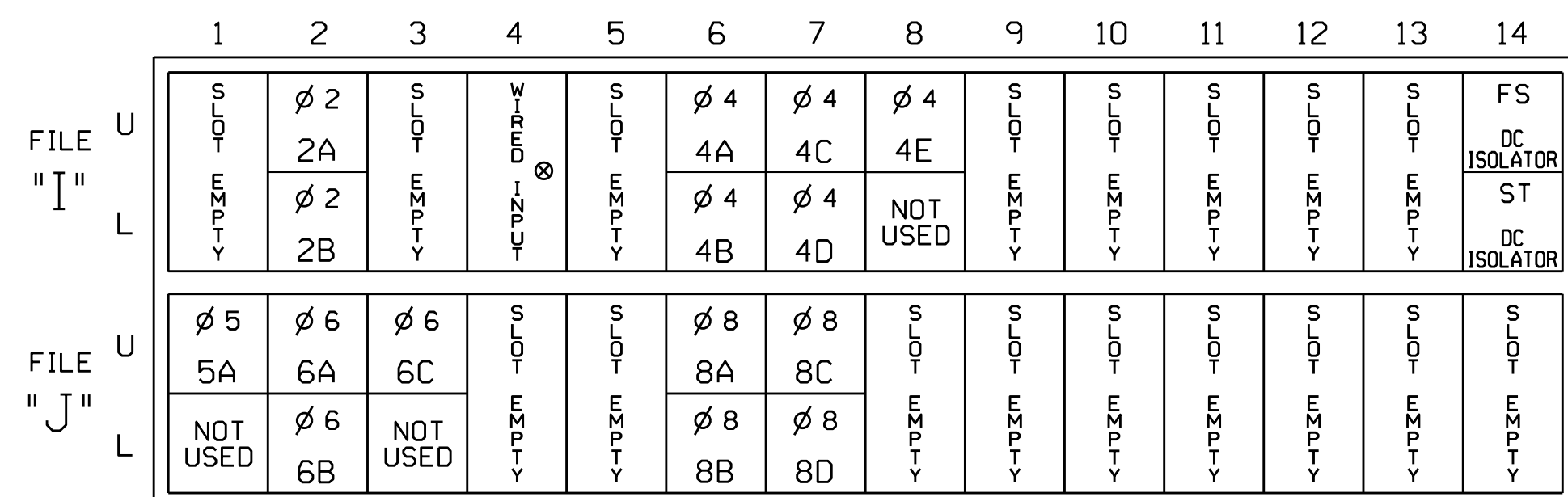
NU = Not Used

* Denotes install load resistor. See load resistor installation detail this sheet.

* See pictorial of head wiring in detail below.

INPUT FILE POSITION LAYOUT

(front view)



EX.: 1A, 2A, ETC. = LOOP NO.'S

FS = FLASH SENSE
 ST = STOP TIME

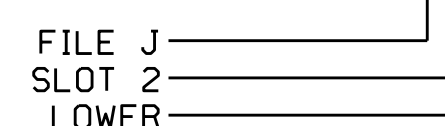
⊗ Wired Input - Do not populate slot with detector card

INPUT FILE CONNECTION & PROGRAMMING CHART

LOOP NO.	LOOP TERMINAL	INPUT FILE POS.	PIN NO.	INPUT ASSIGNMENT NO.	DETECTOR NO.	NEMA PHASE	CALL	EXTEND	FULL TIME DELAY	STRETCH TIME	DELAY TIME
2A	TB2-5,6	I2U	39	1	2	2	Y	Y			
2B	TB2-7,8	I2L	43	5	12	2	Y	Y			
4A	TB4-9,10	I6U	41	3	4	4	-	Y		3.2	
4B	TB4-11,12	I6L	45	7	14	4	Y	Y			
4C	TB6-1,2	I7U	65	27	34	4	Y	Y			
4D	TB6-3,4	I7L	78	40	44	4	Y	Y			15
4E	TB6-5,6	I8U	49	11	24	4	Y	Y			15
5A ¹	TB3-1,2	J1U	55	17	5	5	Y	Y			15
		I4U	47	9	22	2	Y	Y	Y		3
6A	TB3-5,6	J2U	40	2	6	6	Y	Y			
6B	TB3-7,8	J2L	44	6	16	6	Y	Y			
6C	TB3-9,10	J3U	64	26	36	6	-	Y	Y		3
8A	TB5-9,10	J6U	42	4	8	8	Y	Y		2.4	
8B	TB5-11,12	J6L	46	8	18	8	Y	Y			
8C	TB7-1,2	J7U	66	28	38	8	Y	Y			10
8D	TB7-3,4	J7L	79	41	48	8	Y	Y			15

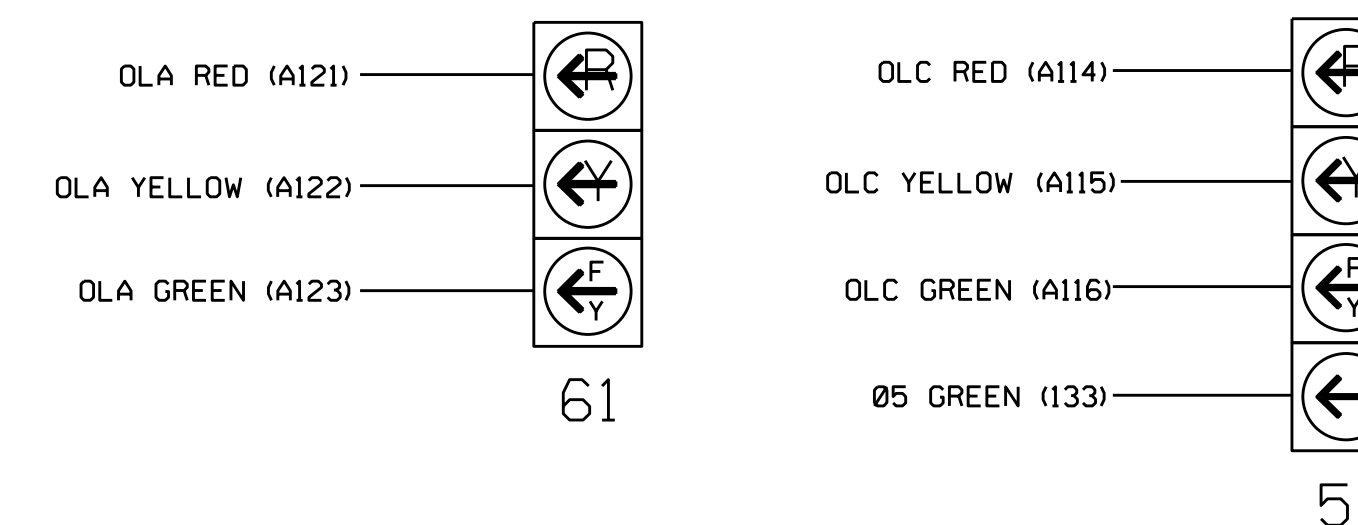
¹Add jumper from J1-W to I4-W, on rear of input file.

INPUT FILE POSITION LEGEND: J2L



FYA SIGNAL WIRING DETAIL

(wire signal heads as shown)



NOTE

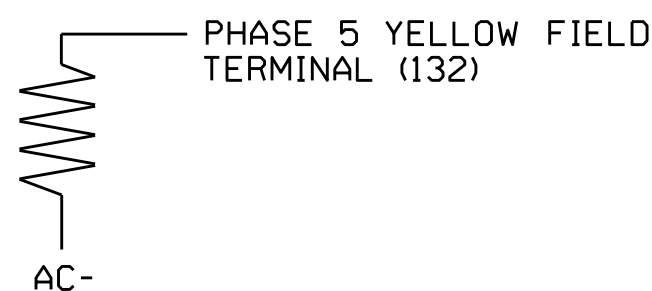
1. The sequence display for signalhead 51 requires special logic programming. See sheet 2 of 2 for programming instructions.

THIS ELECTRICAL DETAIL IS FOR THE SIGNAL DESIGN: 11-0085
 DESIGNED: January 2015
 SEALED: 1/29/15
 REVISED: N/A

LOAD RESISTOR INSTALLATION DETAIL

(install resistors as shown below)

VALUE (ohms)	WATTAGE
1.5K - 1.9K	25W (min)
2.0K - 3.0K	10W (min)



Electrical Detail - Sheet 1 of 2 (Final)

ELECTRICAL AND PROGRAMMING DETAILS FOR: Prepared in the Offices of: 750 N. Greenfield Pkwy, Garner, NC 27529	NC 268 (Elkin Highway) at SR 1966 (Airport Road)/SR 2333 (River Liberty Grove Church Rd)		SEAL GEORGE C. BROWN ENGINEER
	PLAN DATE: January 2015 PREPARED BY: B. SIMMONS	REVIEWED BY: T. Joyce REVIEWED BY:	
REVISIONS: _____ INIT. DATE _____			DocuSigned by: George C. Brown 2/6/2015 DATE: _____ SIG. INVENTORY NO. 11-0085