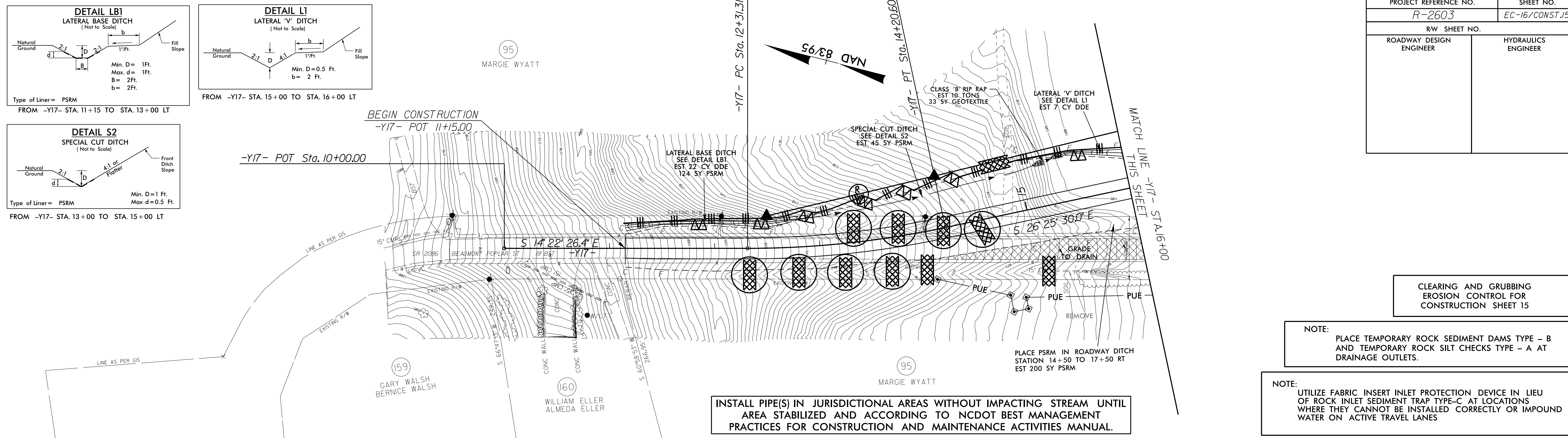
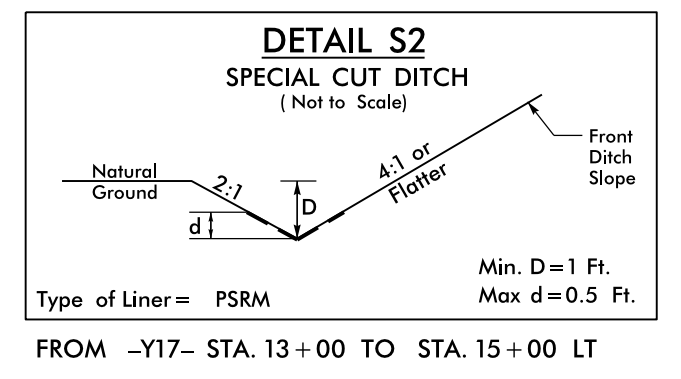
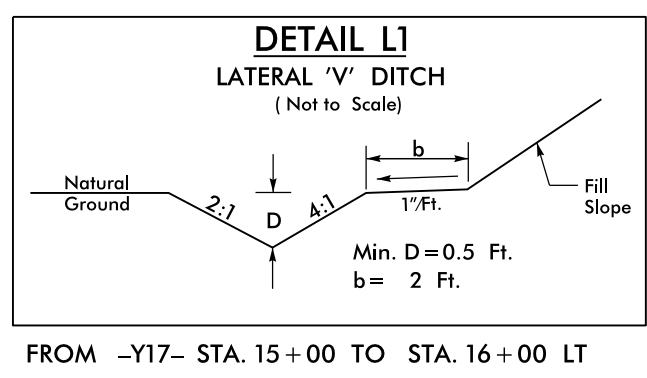
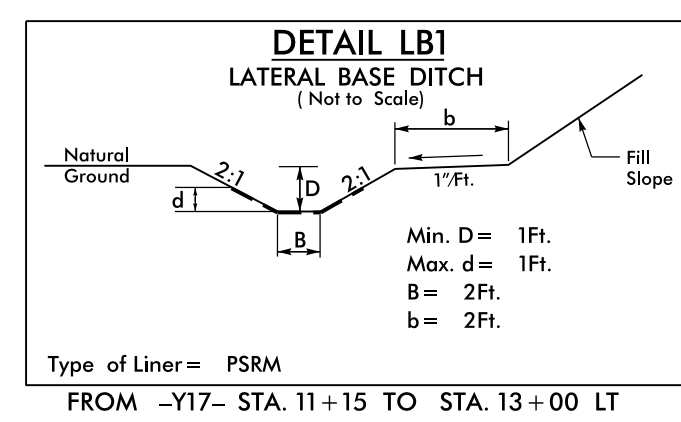


PROJECT REFERENCE NO. R-2603	SHEET NO. EC-16/CONST.15
RW SHEET NO.	
ROADWAY DESIGN ENGINEER	HYDRAULICS ENGINEER

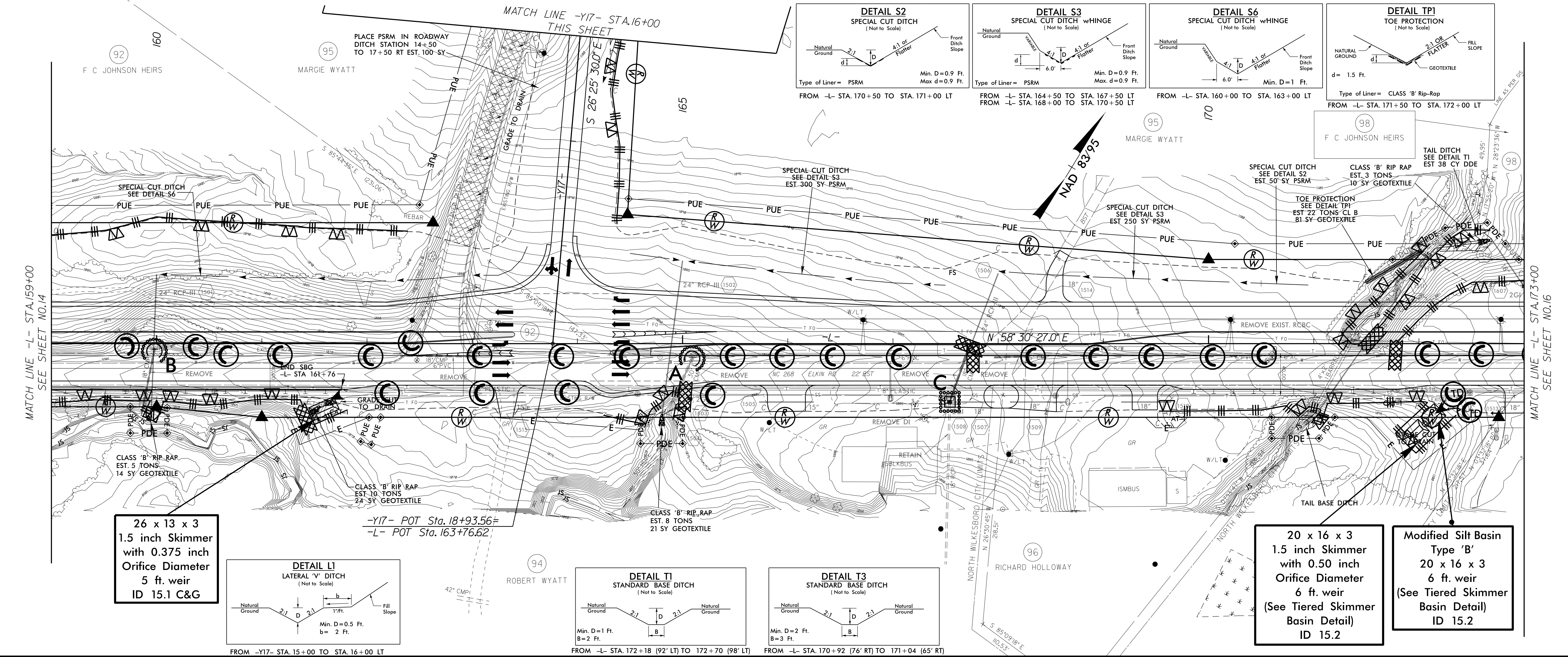


CLEARING AND GRUBBING EROSION CONTROL FOR CONSTRUCTION SHEET 15

NOTE: PLACE TEMPORARY ROCK SEDIMENT DAMS TYPE - B AND TEMPORARY ROCK SILT CHECKS TYPE - A AT DRAINAGE OUTLETS.

NOTE: UTILIZE FABRIC INSERT INLET PROTECTION DEVICE IN LIEU OF ROCK INLET SEDIMENT TRAP TYPE-C AT LOCATIONS WHERE THEY CANNOT BE INSTALLED CORRECTLY OR IMPOUND WATER ON ACTIVE TRAVEL LANES

INSTALL PIPE(S) IN JURISDICTIONAL AREAS WITHOUT IMPACTING STREAM UNTIL AREA STABILIZED AND ACCORDING TO NCDOT BEST MANAGEMENT PRACTICES FOR CONSTRUCTION AND MAINTENANCE ACTIVITIES MANUAL.



26 x 13 x 3
1.5 inch Skimmer
with 0.375 inch
Orifice Diameter
5 ft. weir
ID 15.1 C&G

20 x 16 x 3
1.5 inch Skimmer
with 0.50 inch
Orifice Diameter
6 ft. weir
(See Tiered Skimmer
Basin Detail)
ID 15.2

Modified Silt Basin
Type 'B'
20 x 16 x 3
6 ft. weir
(See Tiered Skimmer
Basin Detail)
ID 15.2

8/17/99
9/4/JUN-2015 13:15
R:\New\Projects\2603-EC.psh15.edgn
R:\New\Projects\2603-EC.psh15.edgn