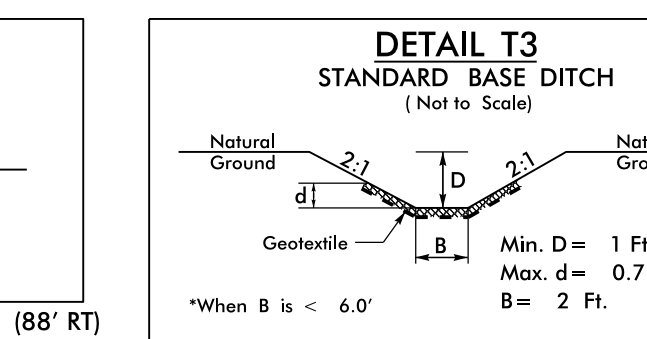
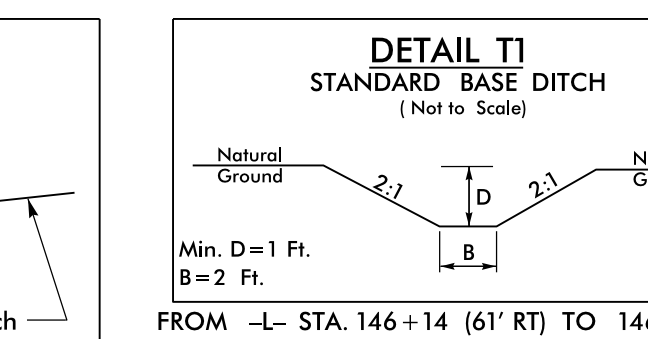
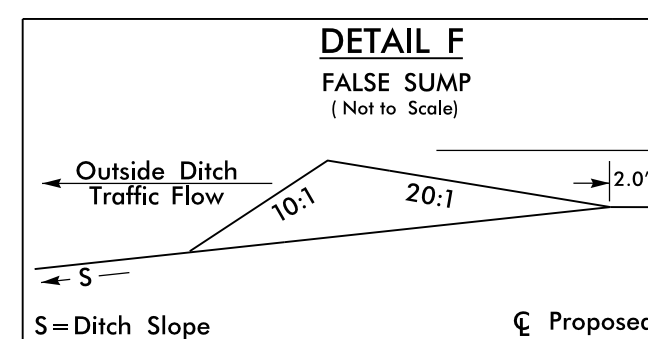
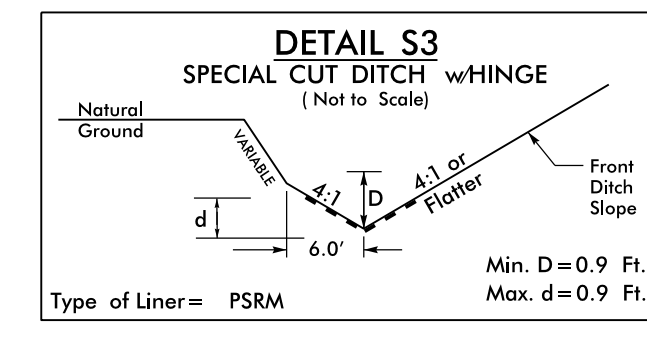
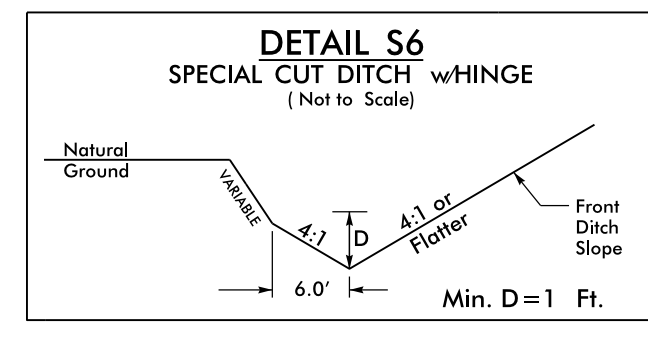
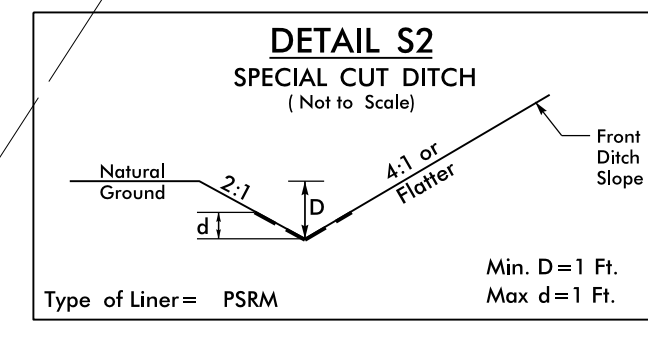
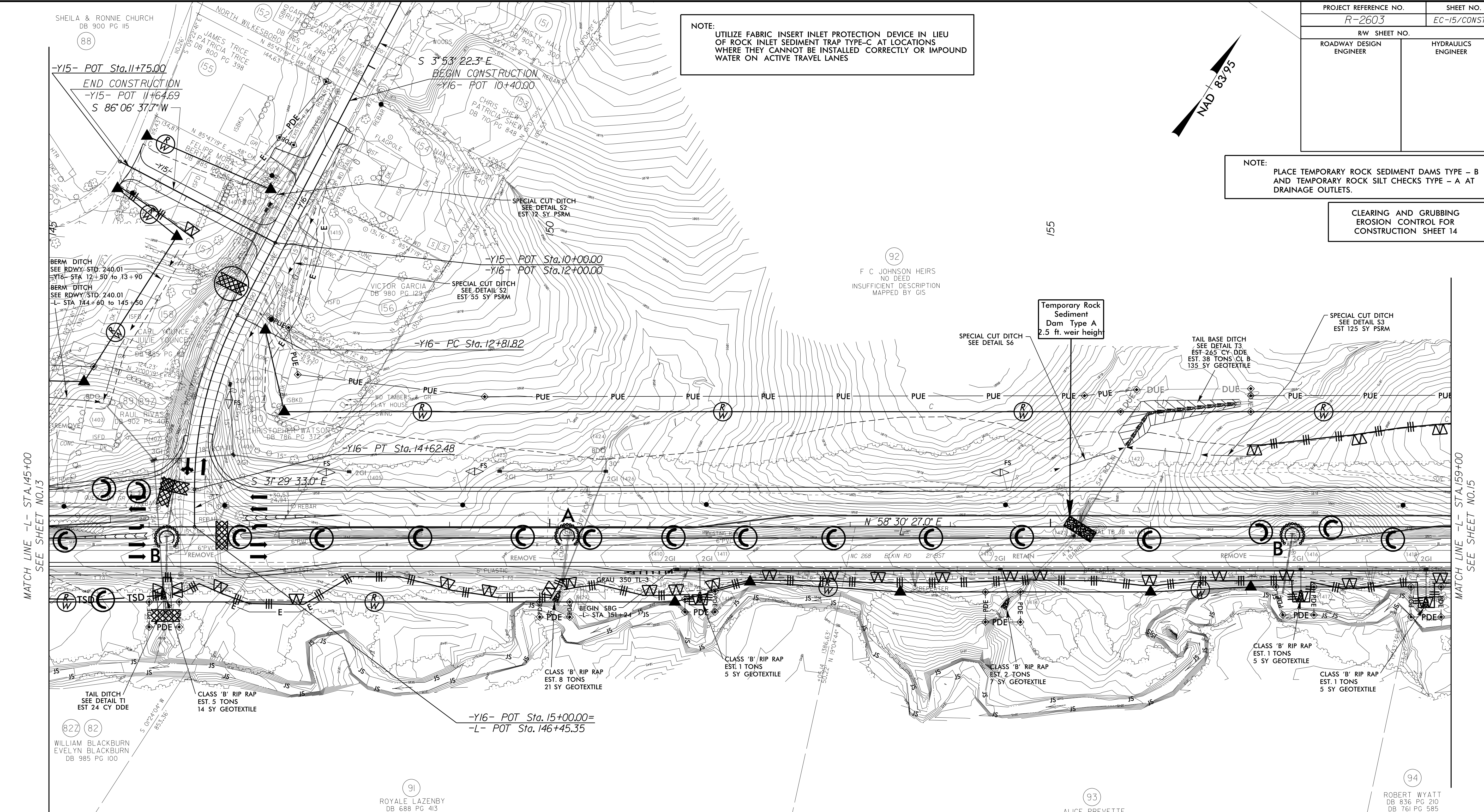
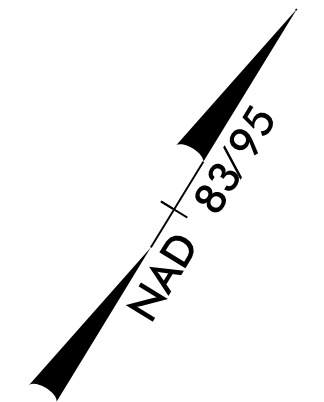


PROJECT REFERENCE NO. R-2603	SHEET NO. EC-15/CONST.14
RW SHEET NO.	
ROADWAY DESIGN ENGINEER	HYDRAULICS ENGINEER

NOTE:
UTILIZE FABRIC INSERT INLET PROTECTION DEVICE IN LIEU OF ROCK INLET SEDIMENT TRAP TYPE-C AT LOCATIONS WHERE THEY CANNOT BE INSTALLED CORRECTLY OR IMPOUND WATER ON ACTIVE TRAVEL LANES

NOTE:
PLACE TEMPORARY ROCK SEDIMENT DAMS TYPE - B AND TEMPORARY ROCK SILT CHECKS TYPE - A AT DRAINAGE OUTLETS.

CLEARING AND GRUBBING EROSION CONTROL FOR CONSTRUCTION SHEET 14



8/17/99
94 JUN-2016 12:43
R:\env\form\ec-15\B2603-EC.psh14.dgn
R:\env\form\ec-15\B2603-EC.psh14.dgn
R:\env\form\ec-15\B2603-EC.psh14.dgn