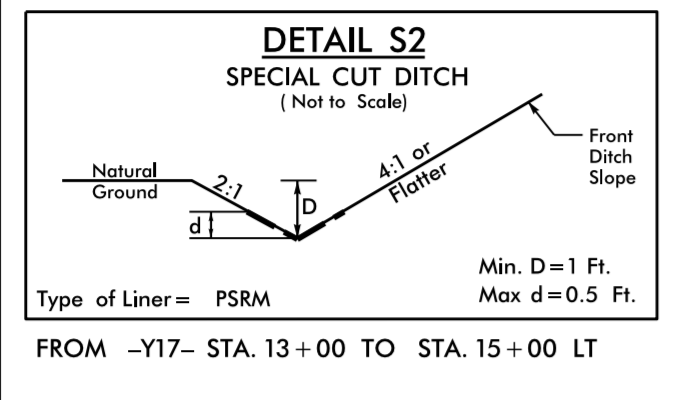
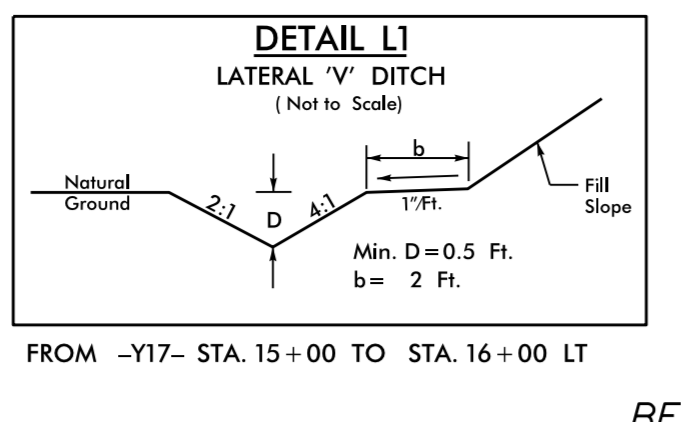
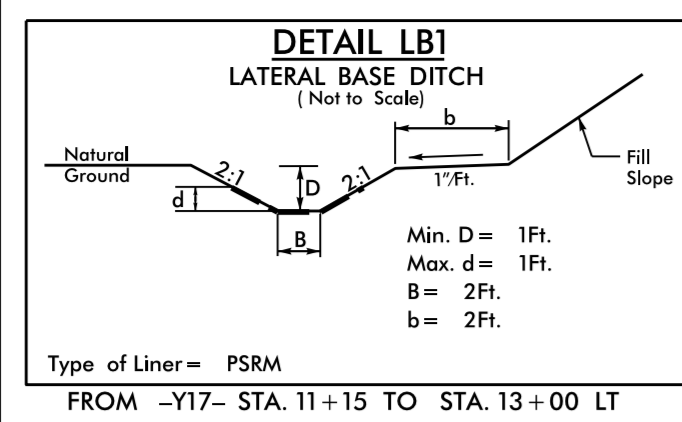
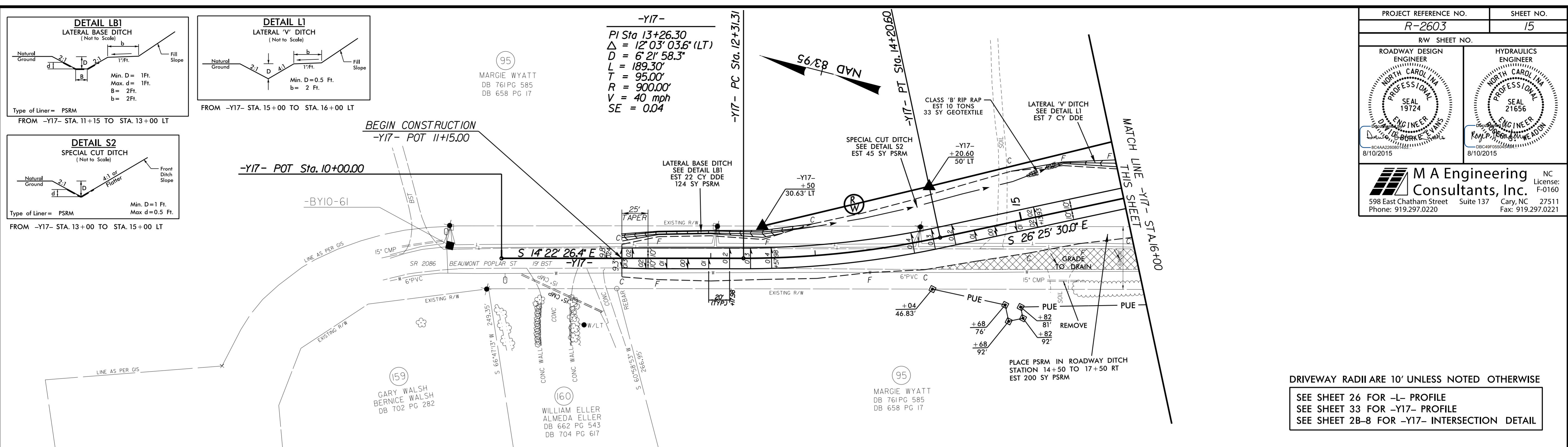


PROJECT REFERENCE NO. <b>R-2603</b>	SHEET NO. <b>15</b>
RW SHEET NO.	
ROADWAY DESIGN ENGINEER <b>PROFESSIONAL SEAL 19724</b> D. J. BURKE, E.I.T. 8/10/2015	HYDRAULICS ENGINEER <b>PROFESSIONAL SEAL 21656</b> R. P. HARRIS, E.I.T. 8/10/2015
<b>M A Engineering Consultants, Inc.</b> 598 East Chatham Street Suite 137 Cary, NC 27511 Phone: 919.297.0220 Fax: 919.297.0221	

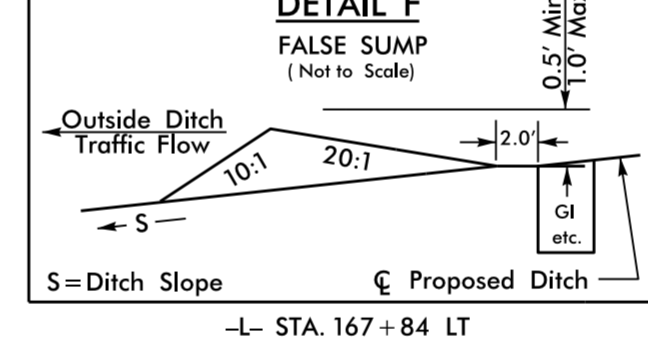
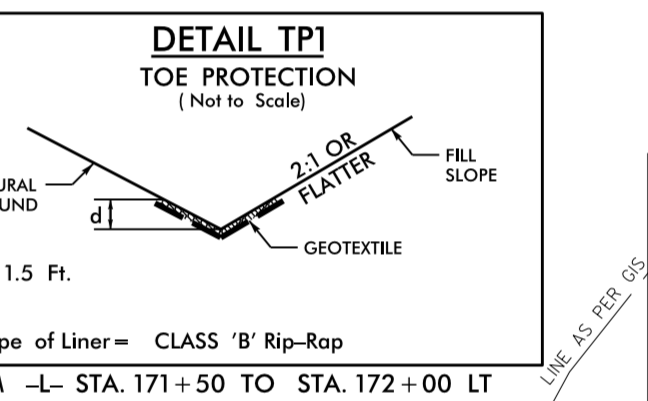
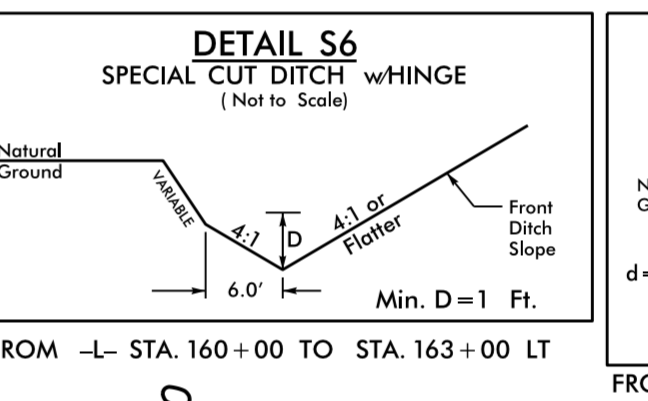
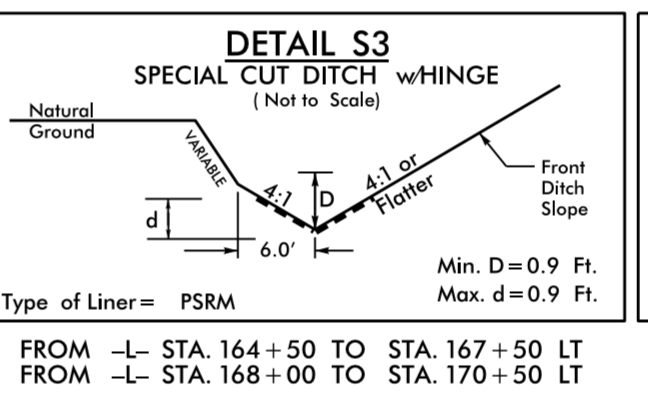
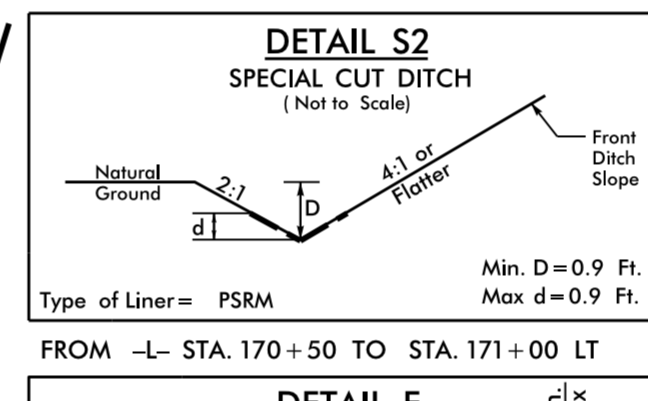
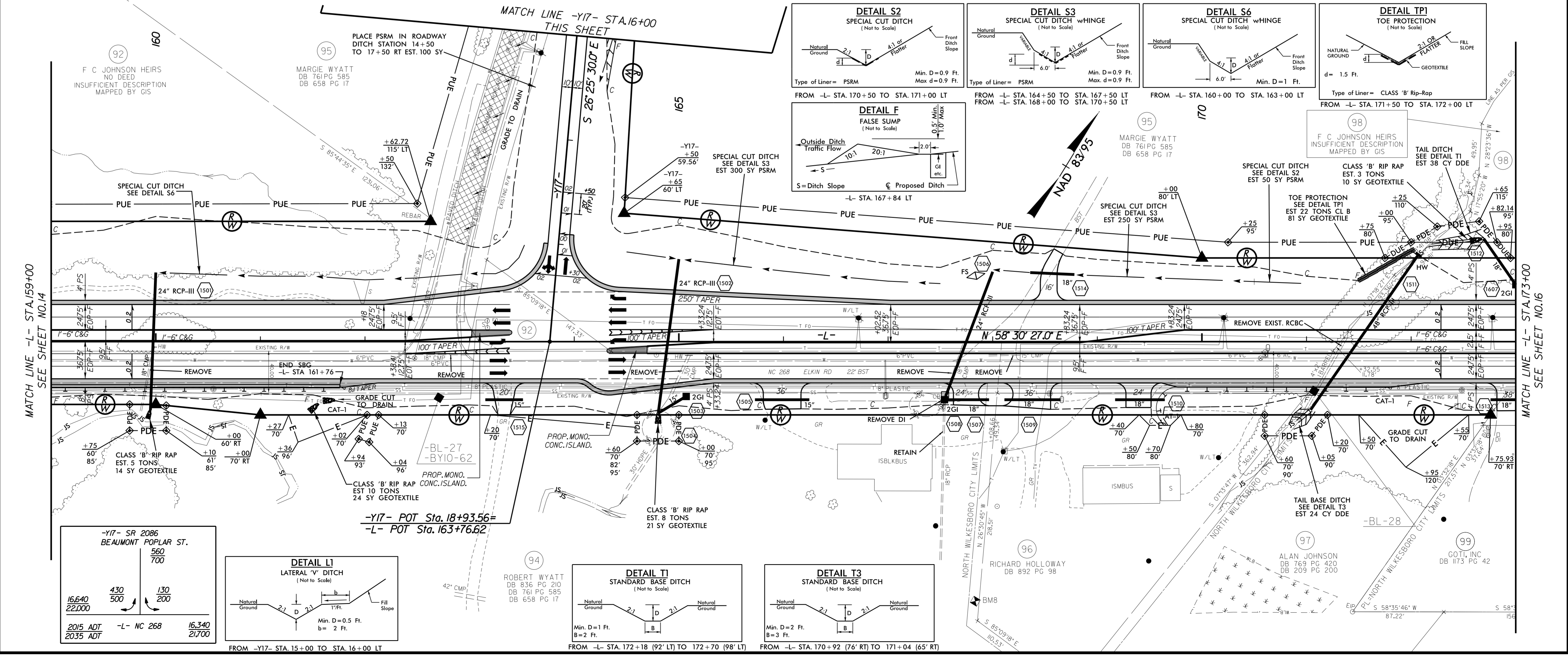


**-Y17-**  
 $PI\ Sta\ 13+26.30$   
 $\Delta = 12^{\circ}03'03.6" (LT)$   
 $D = 6'21"58.3"$   
 $L = 189.30'$   
 $T = 95.00'$   
 $R = 900.00'$   
 $V = 40\ mph$   
 $SE = 0.04$



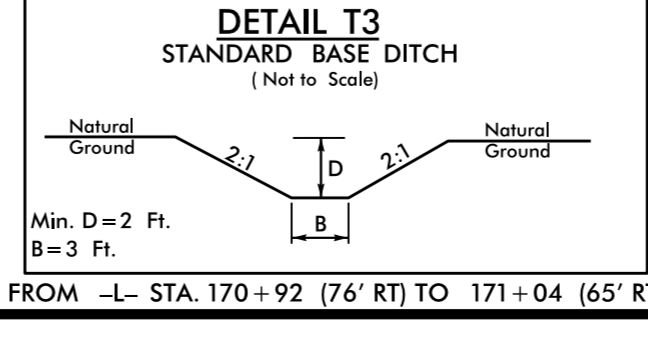
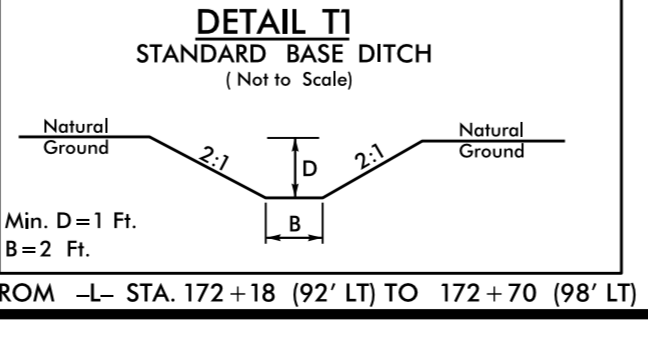
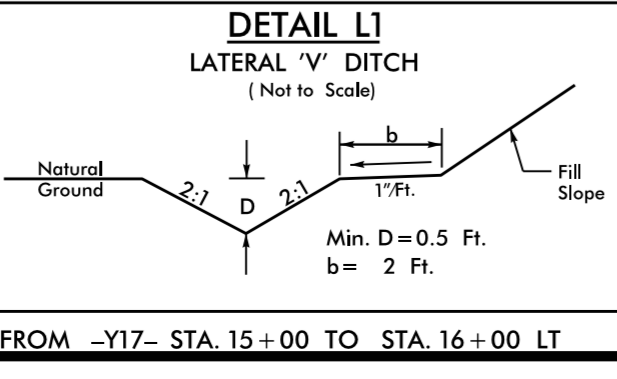
DRIVEWAY RADII ARE 10' UNLESS NOTED OTHERWISE

SEE SHEET 26 FOR -L- PROFILE  
 SEE SHEET 33 FOR -Y17- PROFILE  
 SEE SHEET 2B-8 FOR -Y17- INTERSECTION DETAIL



**-Y17- SR 2086**  
BEAUMONT POPLAR ST.

560	700
16.640	22.000
430	500
130	200
2015 ADT	2035 ADT
-L- NC 268	16.340
	21.700



REVISIONS

7/31/2015  
16:45:28  
pr-oj\N2603-Rdy-ph15.dgn