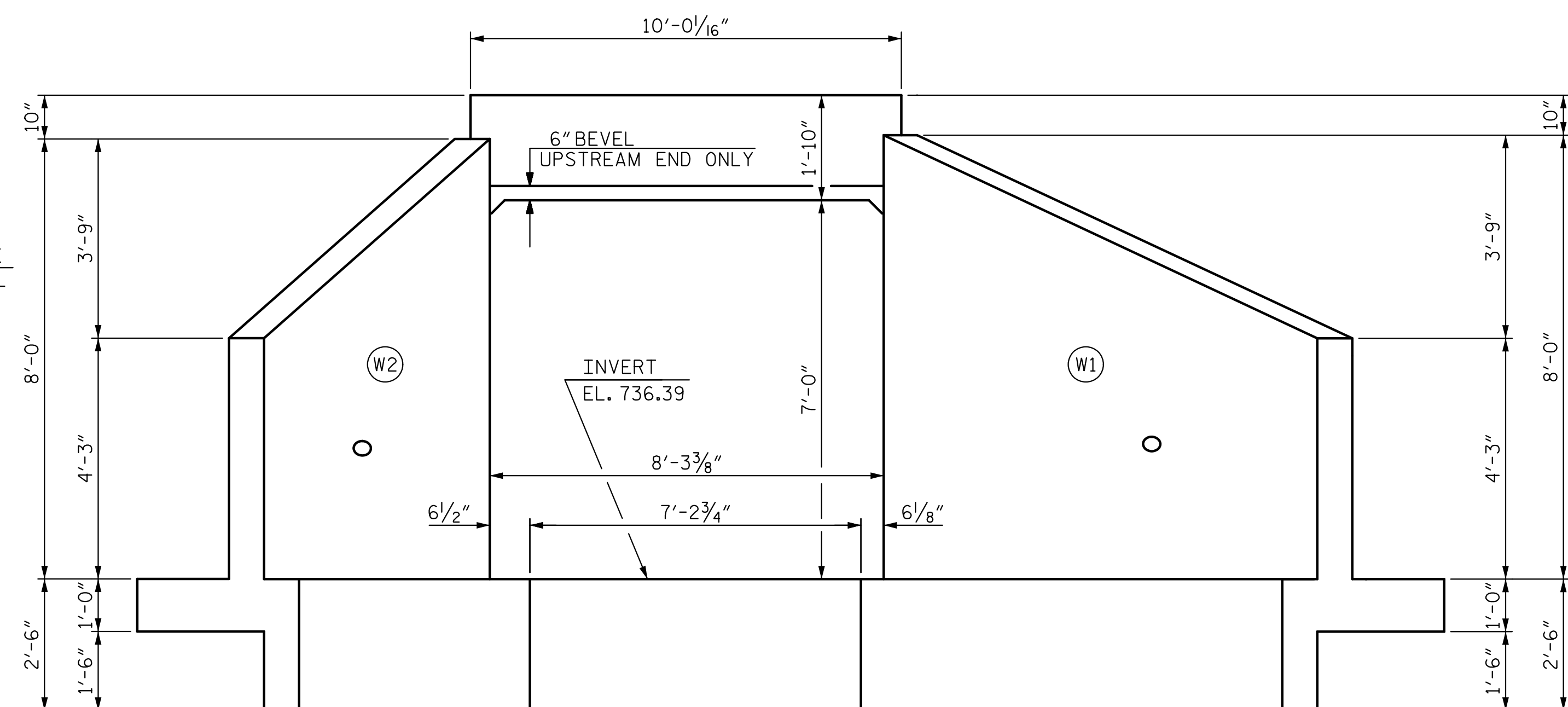
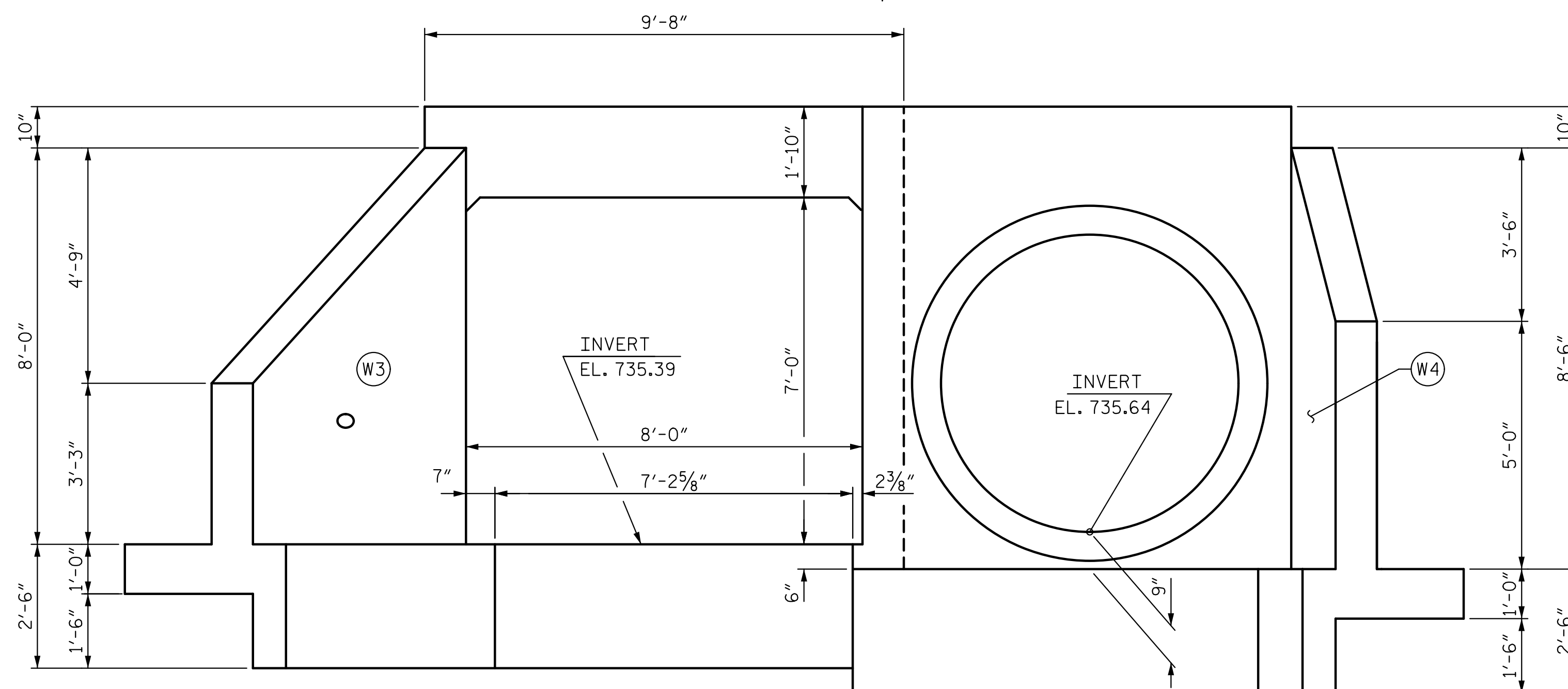


CULVERT SECTION NORMAL TO ROADWAY



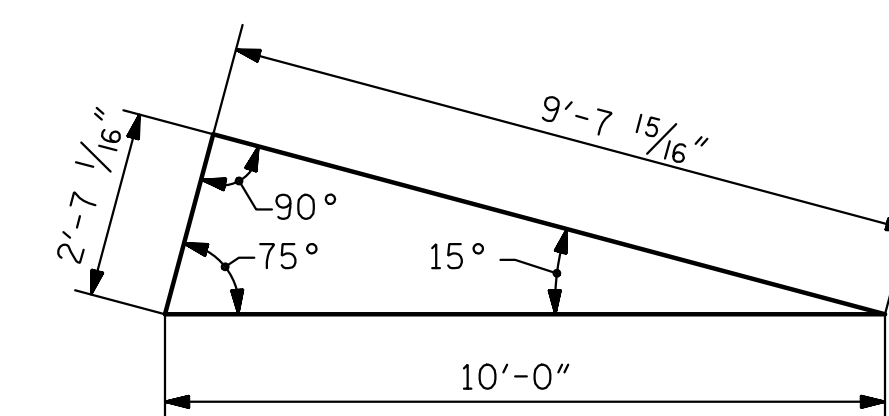
INLET END ELEVATION NORMAL TO SKEW

(75° SKEW)



OUTLET END ELEVATION NORMAL TO SKEW

(90° SKEW)



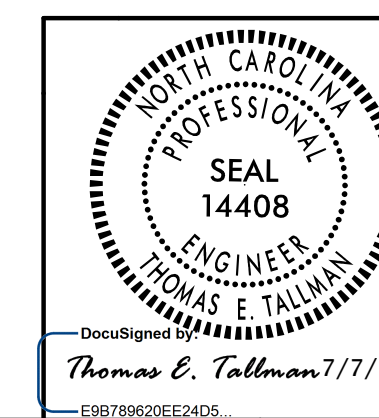
SKEW TRIANGLE

PROJECT NO. W-5516
ROWAN COUNTY
 STATION: 108+21.00 -L-

SHEET 2 OF 8

STATE OF NORTH CAROLINA
 DEPARTMENT OF TRANSPORTATION
 RALEIGH

SINGLE BARREL
 8 FT. X 7 FT.
 CONCRETE BOX CULVERT



5121 Kingdom Way, Suite 100 Raleigh, NC 27607
 NC License No. P04298

REVISIONS

NO.	BY:	DATE:	NO.	BY:	DATE:
1			3		
2			4		

SHEET NO.
 C-7
 TOTAL SHEETS
 13

STD. NO. CB21

REVISED 8-25-82 BY E.L.R. CHECKED BY G.R.P.
 REDRAWN 8-22-89
 REVISED 11-19-99 BY M.M. CHECKED BY R.W.W.
 CHECKED BY : T.E. TALLMAN DATE : MAY 2015
 DRAWN BY : S.A. TEDDER DATE : AUG. 1989
 CHECKED BY : A.R. BISSETTE DATE : AUG. 1989