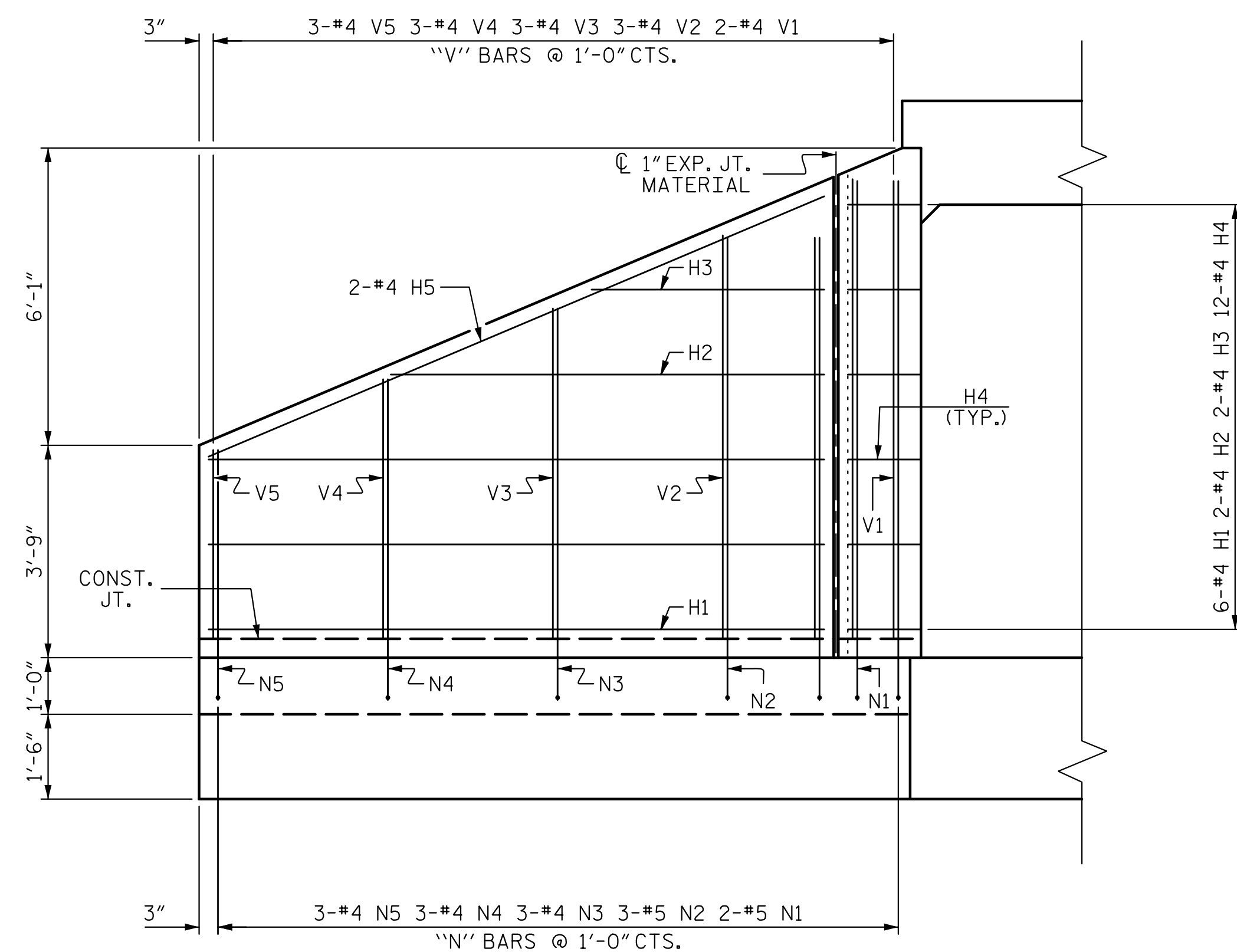
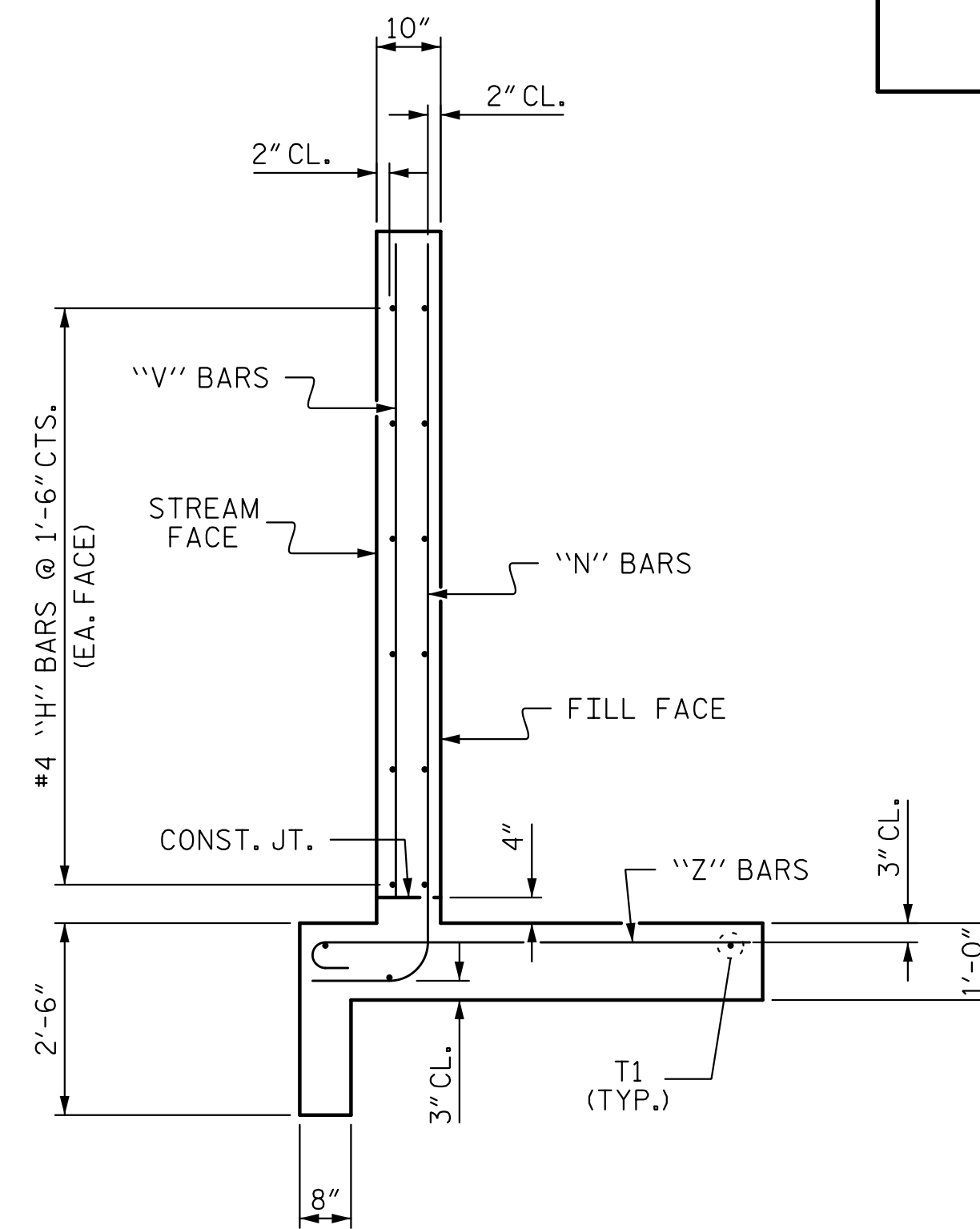


PLAN



ELEVATION



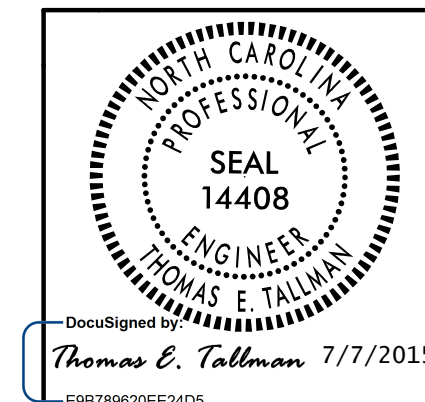
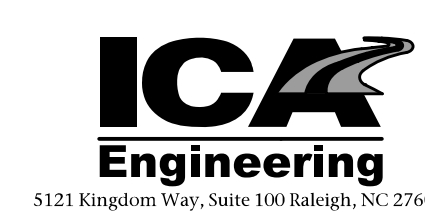
TYPICAL WING SECTION

BAR TYPES

ALL BAR DIMENSIONS ARE OUT TO OUT.

BILL OF MATERIAL					
BAR	NO.	SIZE	TYPE	LENGTH	WEIGHT
H1	24	#4	STR	10'-10"	174
H2	8	#4	STR	7'-8"	41
H3	8	#4	STR	4'-1"	22
H4	48	#4	1	3'-3"	104
H5	8	#4	STR	11'-9"	63
N1	8	#5	2	10'-2"	85
N2	12	#5	2	9'-2"	115
N3	12	#4	2	7'-11"	63
N4	12	#4	2	6'-7"	53
N5	12	#4	2	5'-4"	43
S1	12	#6	STR	6'-0"	108
T1	12	#5	STR	12'-9"	160
V1	8	#4	STR	8'-1"	43
V2	12	#4	STR	7'-1"	57
V3	12	#4	STR	5'-10"	47
V4	12	#4	STR	4'-7"	37
V5	12	#4	STR	3'-4"	27
Z1	8	#5	3	6'-0"	50
Z2	12	#5	3	5'-5"	68
Z3	12	#4	3	4'-7"	37
Z4	12	#4	3	3'-10"	31
Z5	12	#4	3	3'-1"	25
REINFORCING STEEL FOR 4 WINGS				1453 LBS	
CLASS A CONCRETE					
4 WINGS				21.4	CY
2 HEADWALLS				2.3	CY
2 END CURTAIN WALLS				0.7	CY
TOTAL				24.4	CY

ASSEMBLED BY : D. H. CARTER DATE : MAY 2015
 CHECKED BY : T. E. TALLMAN DATE : MAY 2015
 DRAWN BY : CCJ 10/99
 CHECKED BY : RWW 03/00



PROJECT NO. W-5516
 ROWAN COUNTY
 STATION: 31+84.50 -L-
 SHEET 4 OF 5

REVISIONS					
NO.	BY:	DATE:	NO.	BY:	DATE:
1			3		
2			4		

STATE OF NORTH CAROLINA
 DEPARTMENT OF TRANSPORTATION
 RALEIGH
 STANDARD WINGS
 FOR
 CONCRETE BOX CULVERT
 H = 8'-0" SLOPE = 2:1
 90° SKEW

SHEET NO. C-4
 TOTAL SHEETS 13