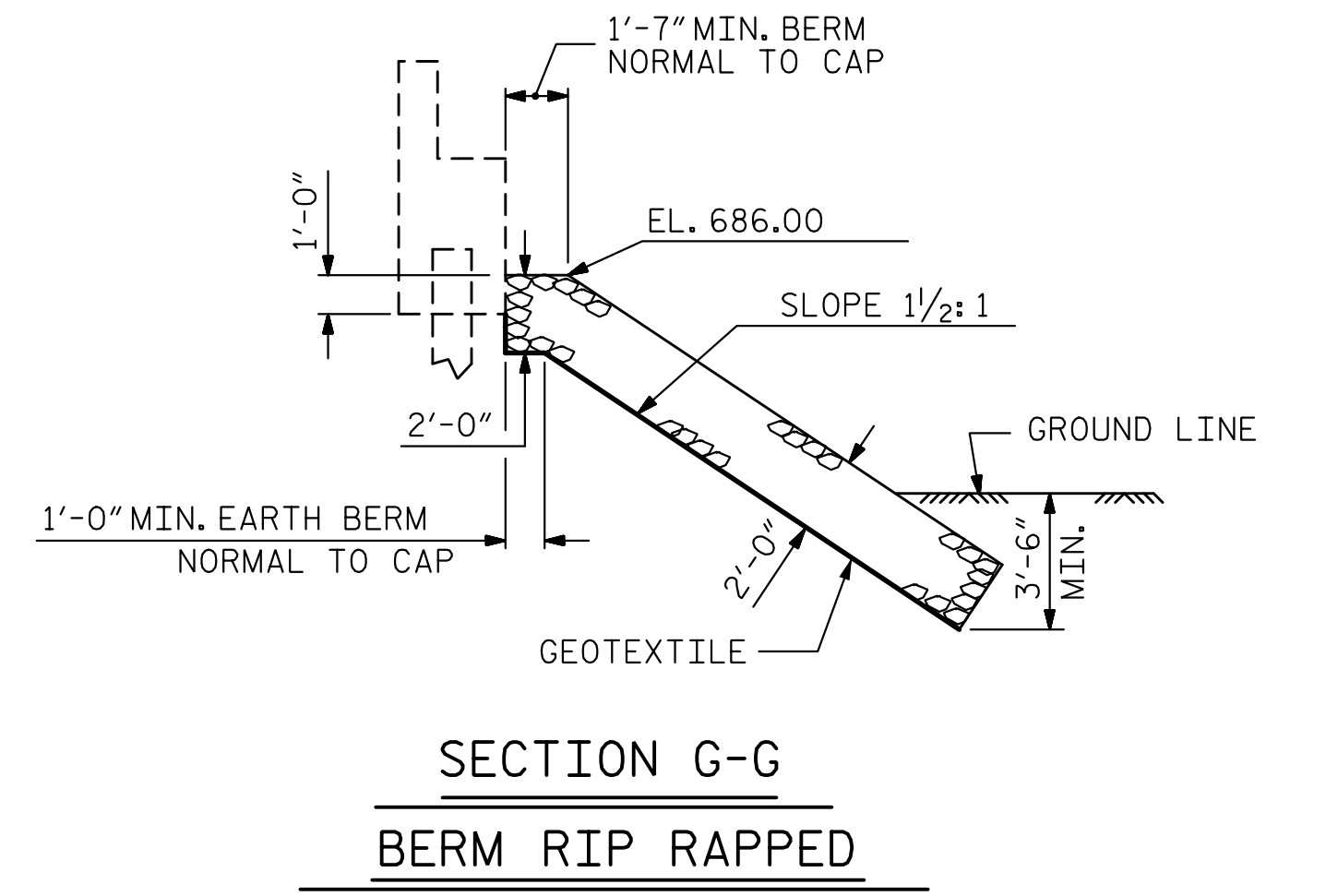
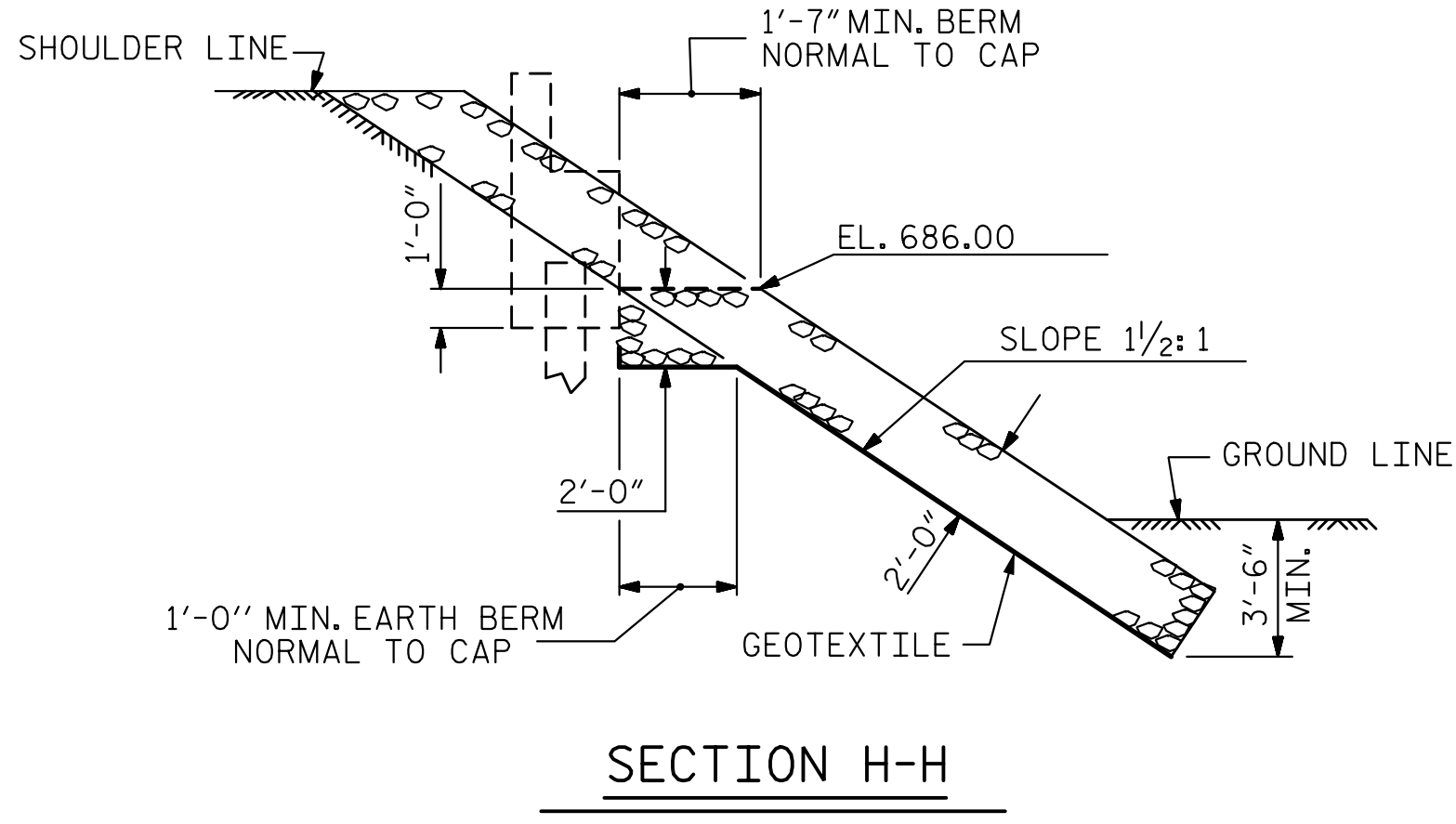
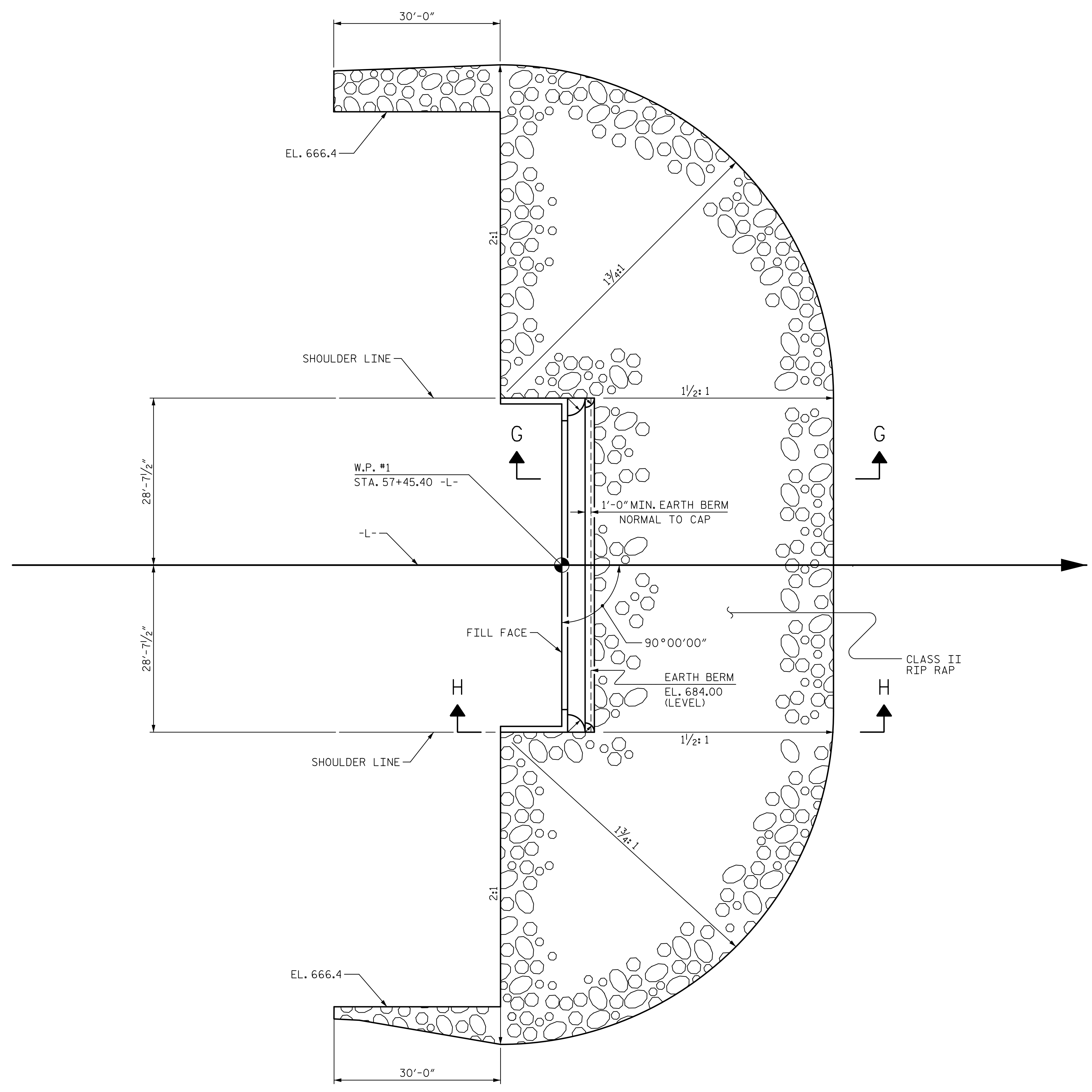


| ESTIMATED QUANTITIES | | |
|-------------------------------|--------------------------------------|----------------------------|
| BRIDGE @ STA. 61+79.40 -L- | RIP RAP CLASS II (2'-0" THICK) | GEOTEXTILE FOR DRAINAGE |
| | TONS | SQUARE YARDS |
| END BENT 1 | 885 | 983 |



PROJECT NO. W-5516
ROWAN COUNTY
STATION: 61+79.40 -L-

STATE OF NORTH CAROLINA
DEPARTMENT OF TRANSPORTATION
RALEIGH
STANDARD
=RIP RAP DETAILS=

| REVISIONS | | | | | | SHEET NO. |
|-----------|-----|-------|-----|-----|-------|-----------------|
| NO. | BY: | DATE: | NO. | BY: | DATE: | S-38 |
| 1 | | | 3 | | | TOTAL SHEETS 41 |
| 2 | | | 4 | | | |

ASSEMBLED BY : D. H. CARTER DATE : MAY 2015
CHECKED BY : M. T. NEIHEISEL DATE : MAY 2015
DRAWN BY : REK 1/84 REV. 5/1/06R TLA/GM
CHECKED BY : RDU 1/84 REV. 10/1/11 MAA/GM
REV. 12/21/11 MAA/GM

PLAN OF RIP RAP @ END BENT 1

