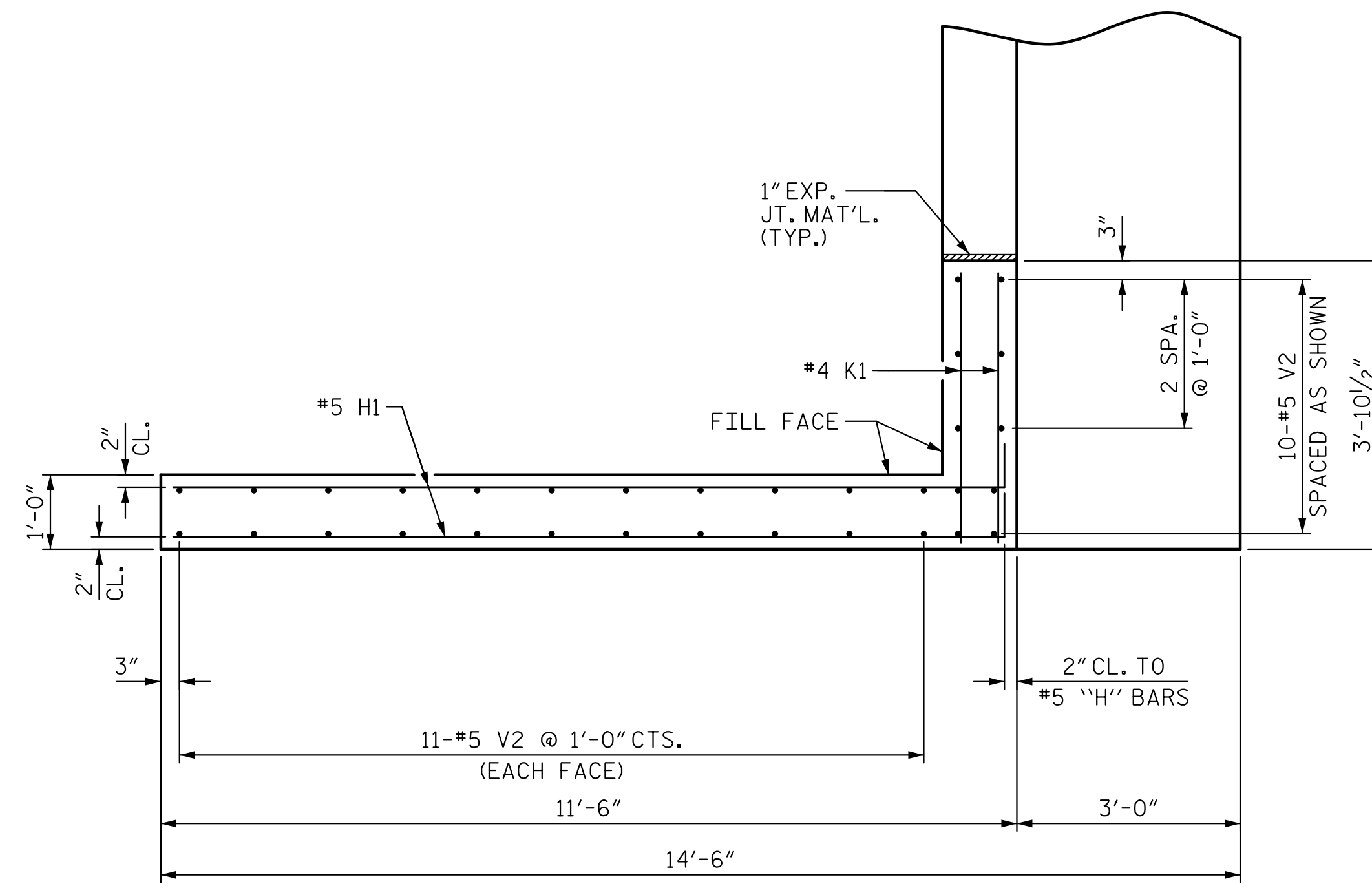
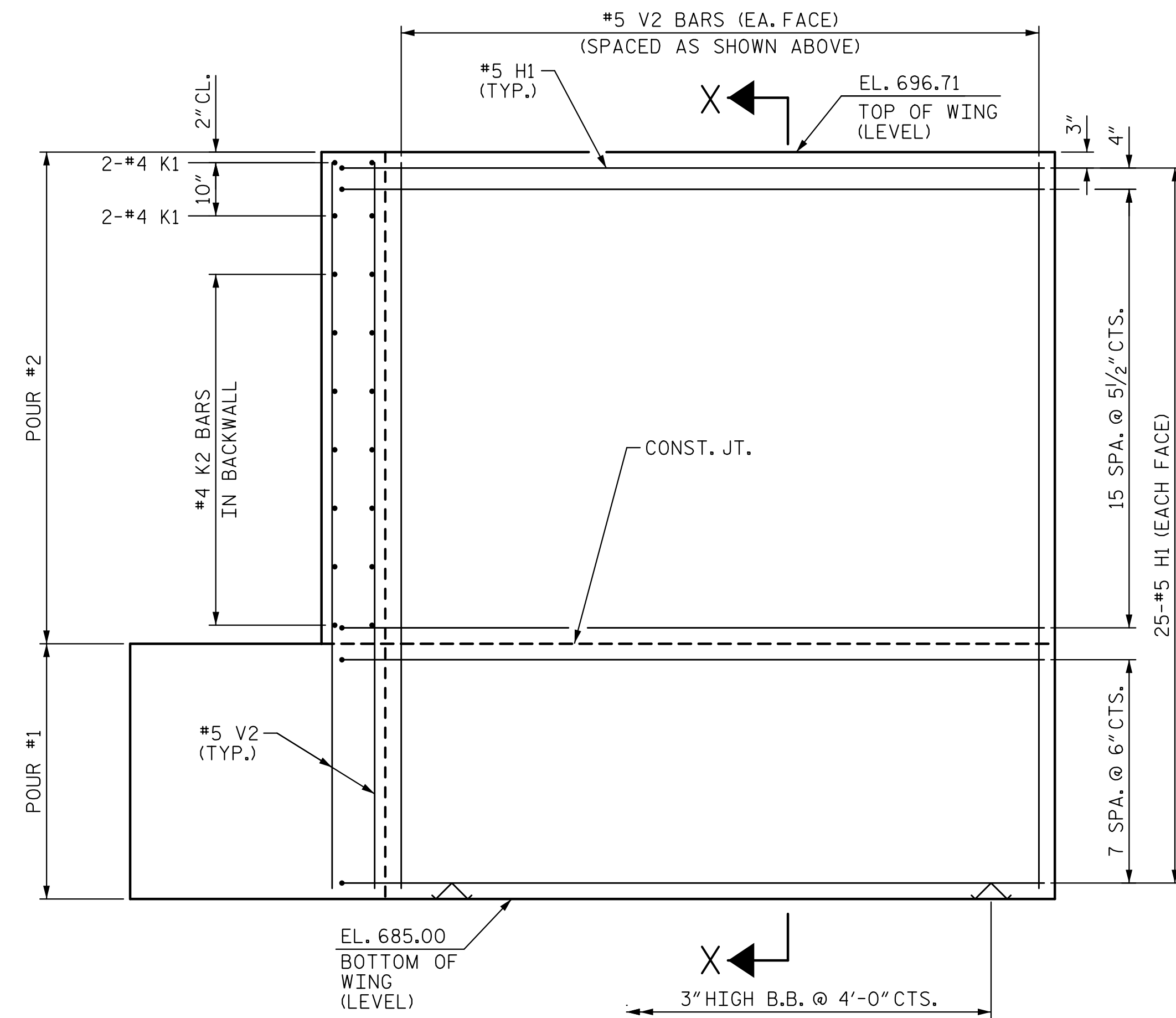


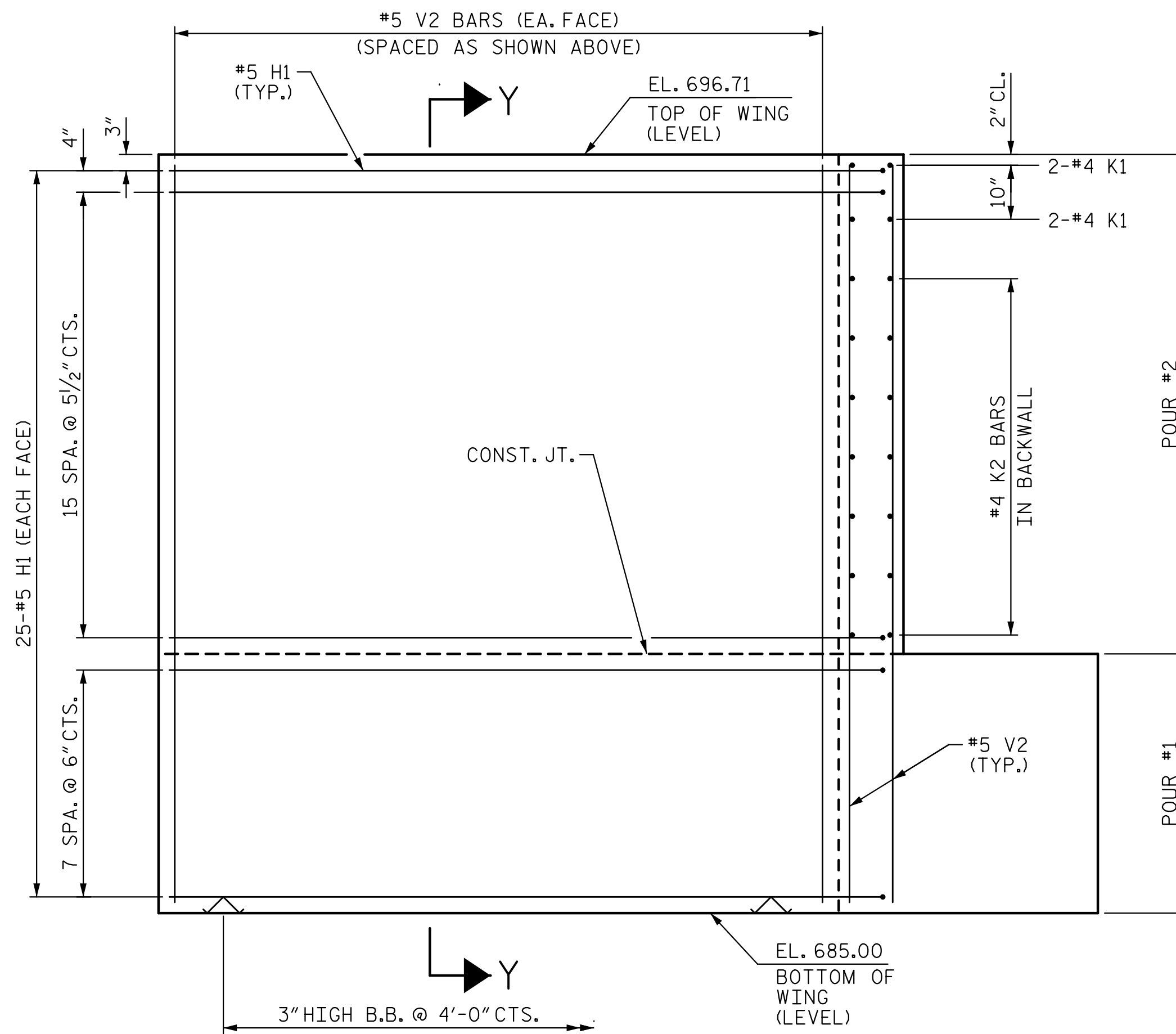
PLAN OF WING (W1)



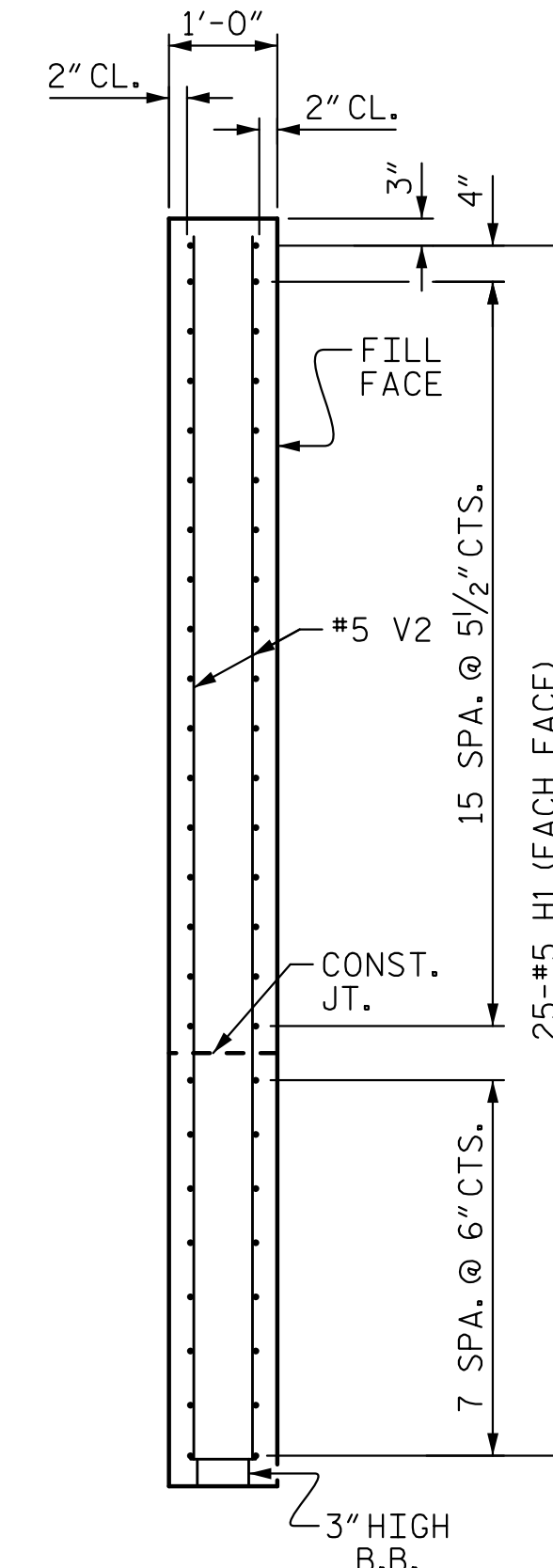
PLAN OF WING (W2)



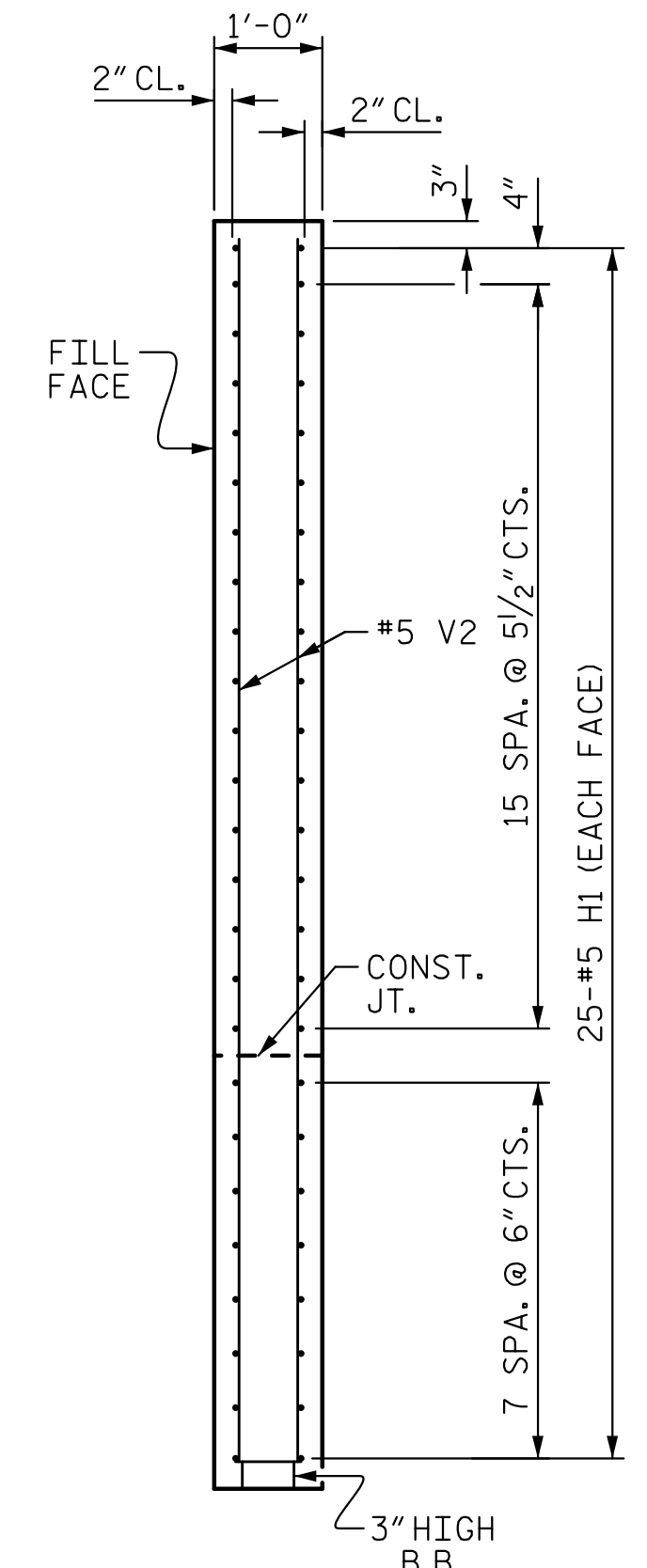
ELEVATION OF WING (W1)



ELEVATION OF WING (W2)



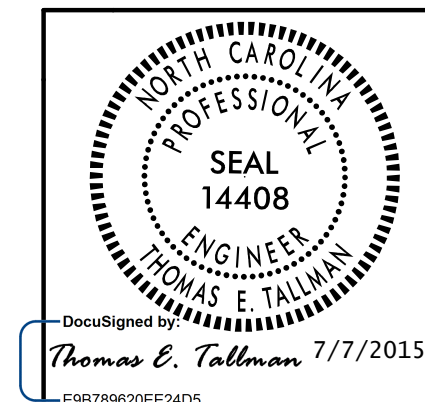
SECTION X-X



SECTION Y-Y

PROJECT NO. W-5516
 ROWAN COUNTY
 STATION: 61+79.40 -L-
 SHEET 2 OF 3

STATE OF NORTH CAROLINA
 DEPARTMENT OF TRANSPORTATION
 RALEIGH
 SUBSTRUCTURE
 END BENT 1



REVISIONS						SHEET NO.	
NO.	BY:	DATE:	NO.	BY:	DATE:	S-26	
1			3			TOTAL SHEETS 41	
2			4				

5/29/2015
 C:\Users\pep\Documents\Plans\26 - w-5516 - sd - el_02.dgn
 TCA Engineering, Inc.

DRAWN BY : D. H. CARTER DATE : MAY 2015
 CHECKED BY : M. T. NEIHEISEL DATE : MAY 2015
 DESIGN ENGINEER OF RECORD : T. E. TALLMAN DATE : MAY 2015