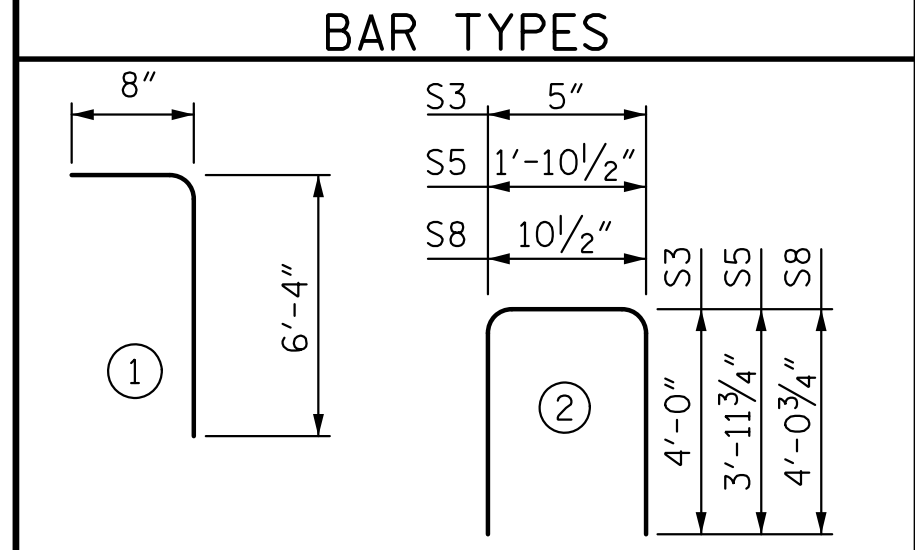


0.6" Ø L. R. GRADE 270 STRANDS		
AREA (SQUARE INCHES)	ULTIMATE STRENGTH (LBS. PER STRAND)	APPLIED PRESTRESS (LBS. PER STRAND)
0.217	58,600	43,950

REINFORCING STEEL FOR ONE GDR					
BAR	NUMBER	SIZE	TYPE	LENGTH	WEIGHT
S1	142	#4	1	7'-0"	664
S2	24	#5	1	6'-11"	173
S3	14	#4	2	8'-5"	79
S4	84	#4	3	3'-0"	168
S5	1	#5	2	9'-10"	10
S6	166	#5	4	4'-5"	765
*S7	10	#5	STR	3'-8"	38
S8	2	#5	2	9'-0"	19
S9	30	#5	STR	3'-3"	102
S10	1	#3	STR	1'-10"	1
S11	4	#5	5	11'-6"	48
S12	8	#4	STR	8'-0"	43

*NOTE: S7 BARS SHALL BE BENT BEFORE SHIPMENT. HEAT BENDING SHALL NOT BE ALLOWED.



DEBONDING LEGEND

- FULLY BONDED STRANDS
- STRANDS DEBONDED FOR 4'-0" FROM END OF GIRDER
- STRANDS DEBONDED FOR 6'-0" FROM END OF GIRDER
- OPTIONAL FULL LENGTH DEBONDED STRANDS. THESE STRANDS ARE NOT REQUIRED. IF THE FABRICATOR CHOOSES TO USE THESE STRANDS IN THE GIRDER, THE STRANDS SHALL BE DEBONDED FOR THE FULL LENGTH OF THE GIRDER AT NO ADDITIONAL COST. SEE STANDARD SPECIFICATIONS, ARTICLE 1078-7.

QUANTITIES FOR ONE GIRDER			
REINFORCING STEEL	7,000 PSI CONCRETE	0.6" Ø L.R. STRANDS	
LB.	C.Y.	No.	
2,110	17.39	20	

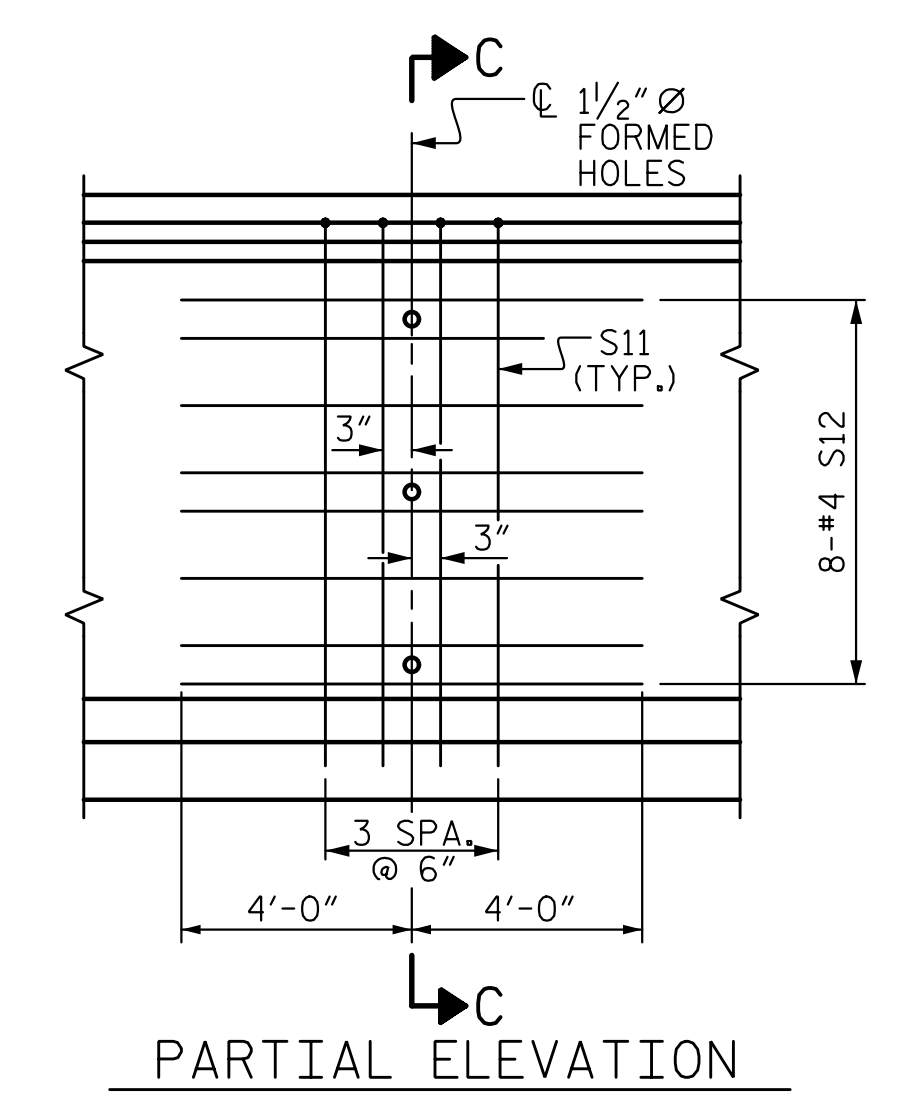
GIRDERS REQUIRED		
NUMBER	LENGTH	TOTAL LENGTH
5	81'-2"	405'-10"

PROJECT NO. W-5516
 ROWAN COUNTY
 STATION: 61+79.40 -L-
 SHEET 1 OF 4

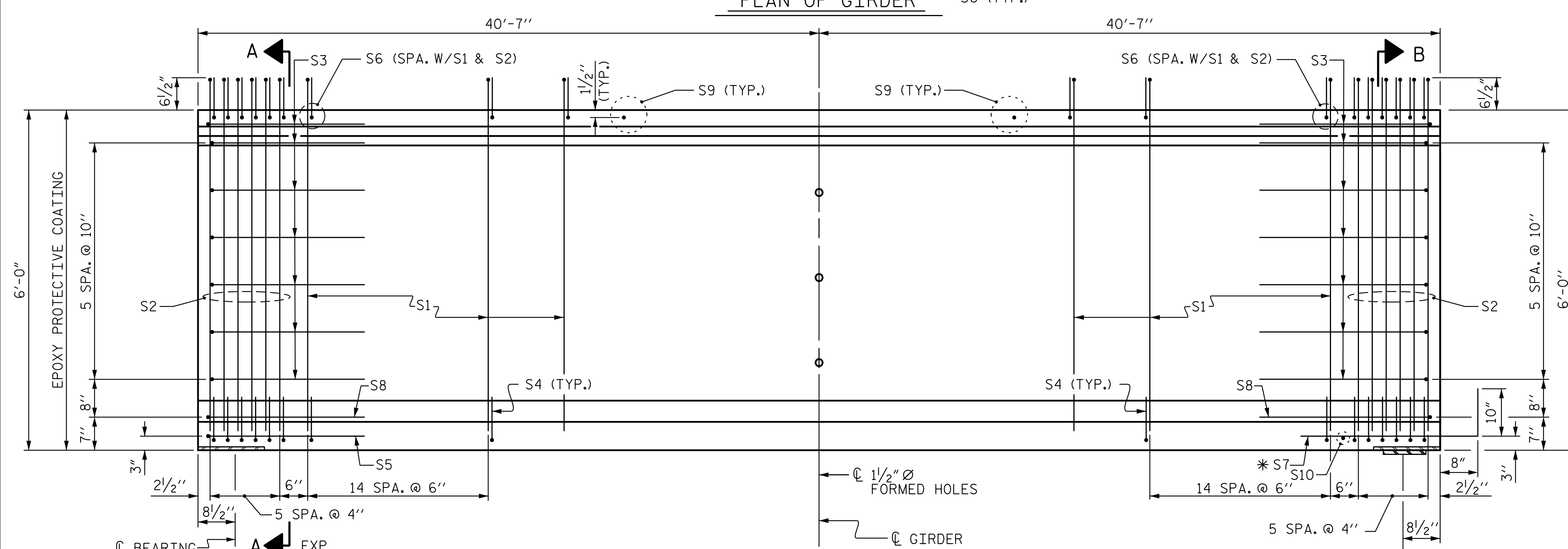
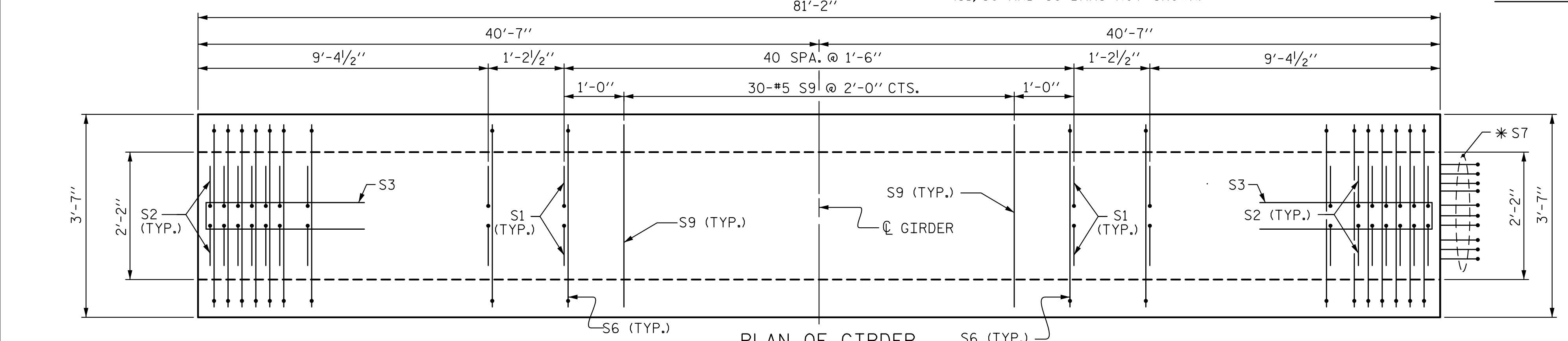
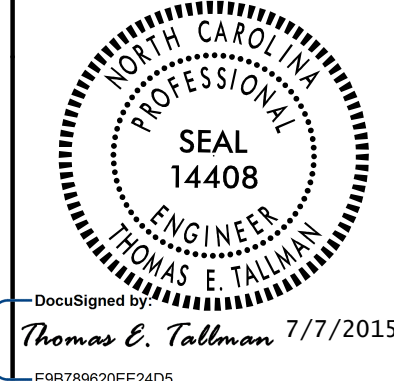
STATE OF NORTH CAROLINA
 DEPARTMENT OF TRANSPORTATION
 RALEIGH
 STANDARD
 72" PRESTRESSED CONCRETE
 MODIFIED BULB TEE
 CONTINUOUS FOR LIVE LOAD
 (SPAN "A")

REVISIONS					
NO.	BY:	DATE:	NO.	BY:	DATE:
1			3		
2			4		

SHEET NO. S-13
 TOTAL SHEETS 41



SHOWING INTERMEDIATE STEEL DIAPHRAGM REINFORCING STEEL



ASSEMBLED BY: D. H. CARTER DATE: MAY 2015
 CHECKED BY: M. T. NEIHEISEL DATE: MAY 2015
 DRAWN BY: EEM 2/6/97 REV. 5/1/06R TLA/GM
 CHECKED BY: VAP 2/6/97 REV. 10/1/11 MAA/GM
 REV. 6/13 MAA/GM