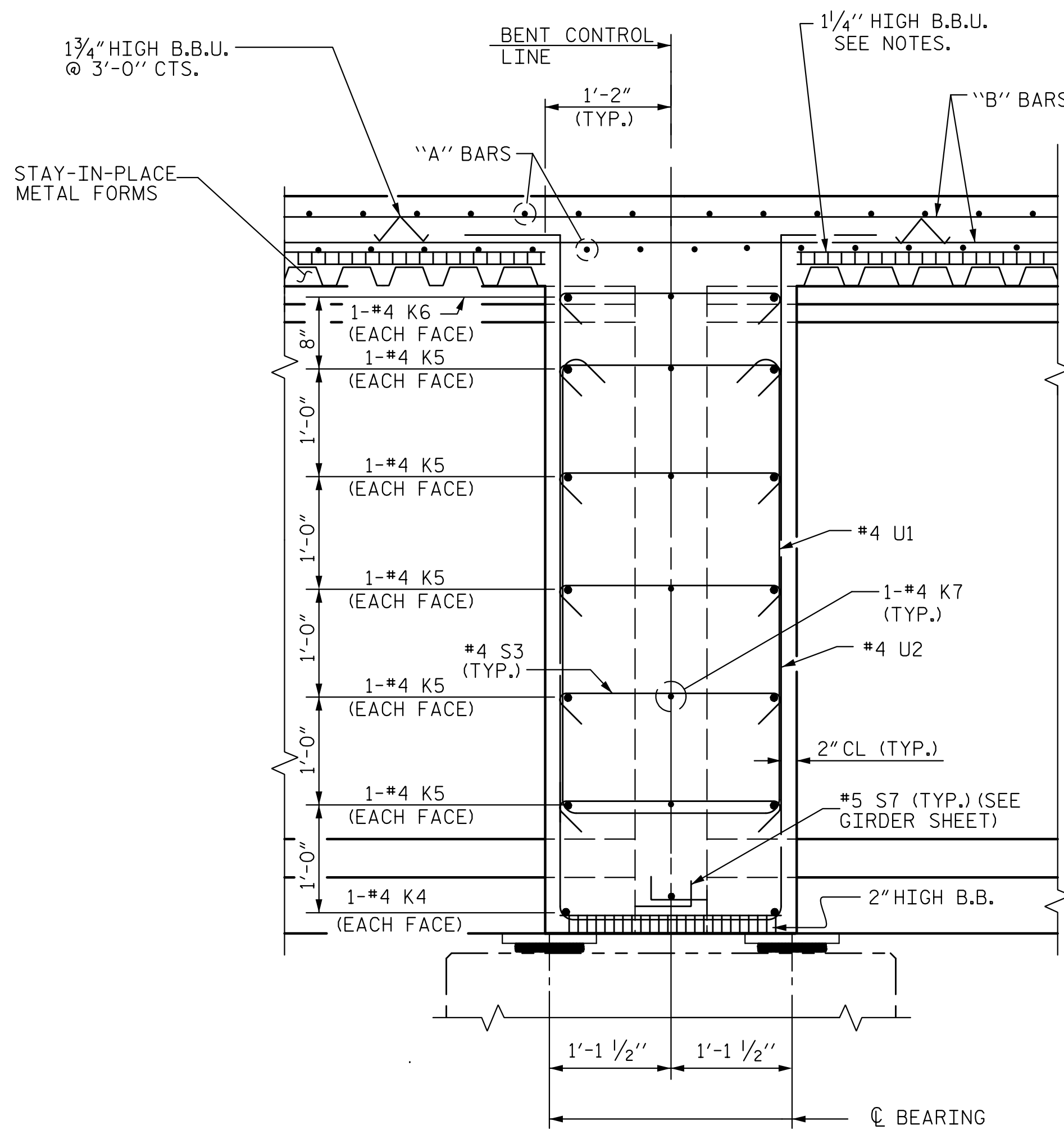
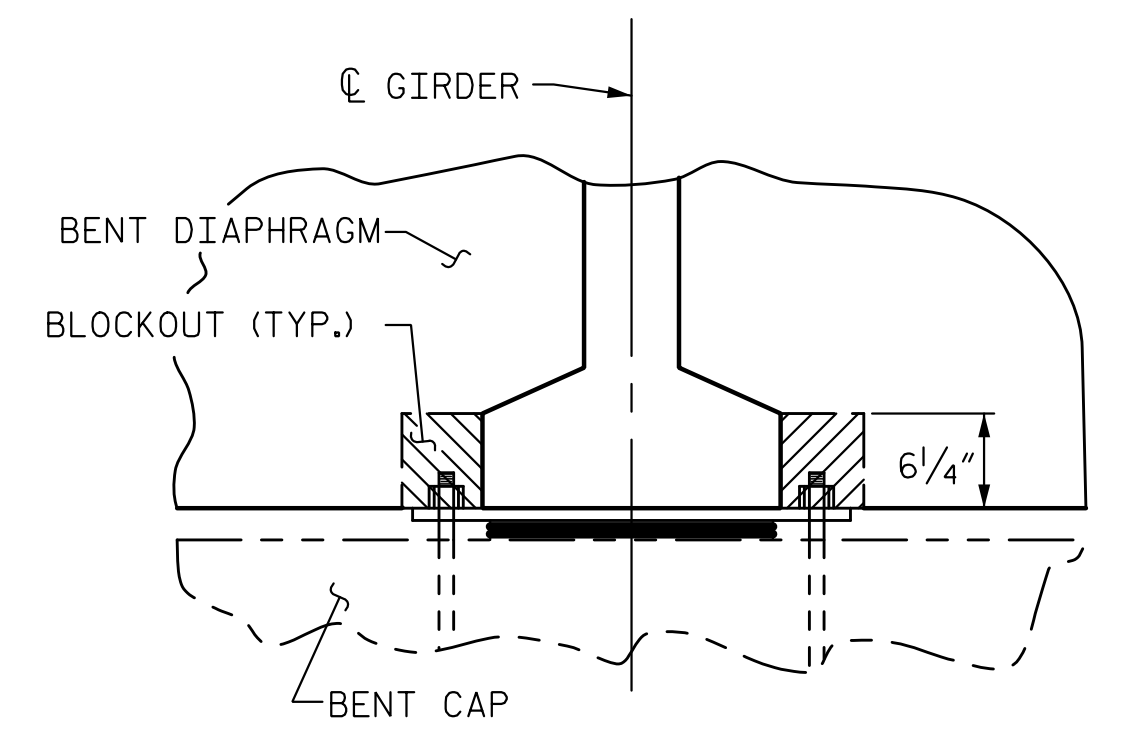


**SECTION THRU END BENT DIAPHRAGM**

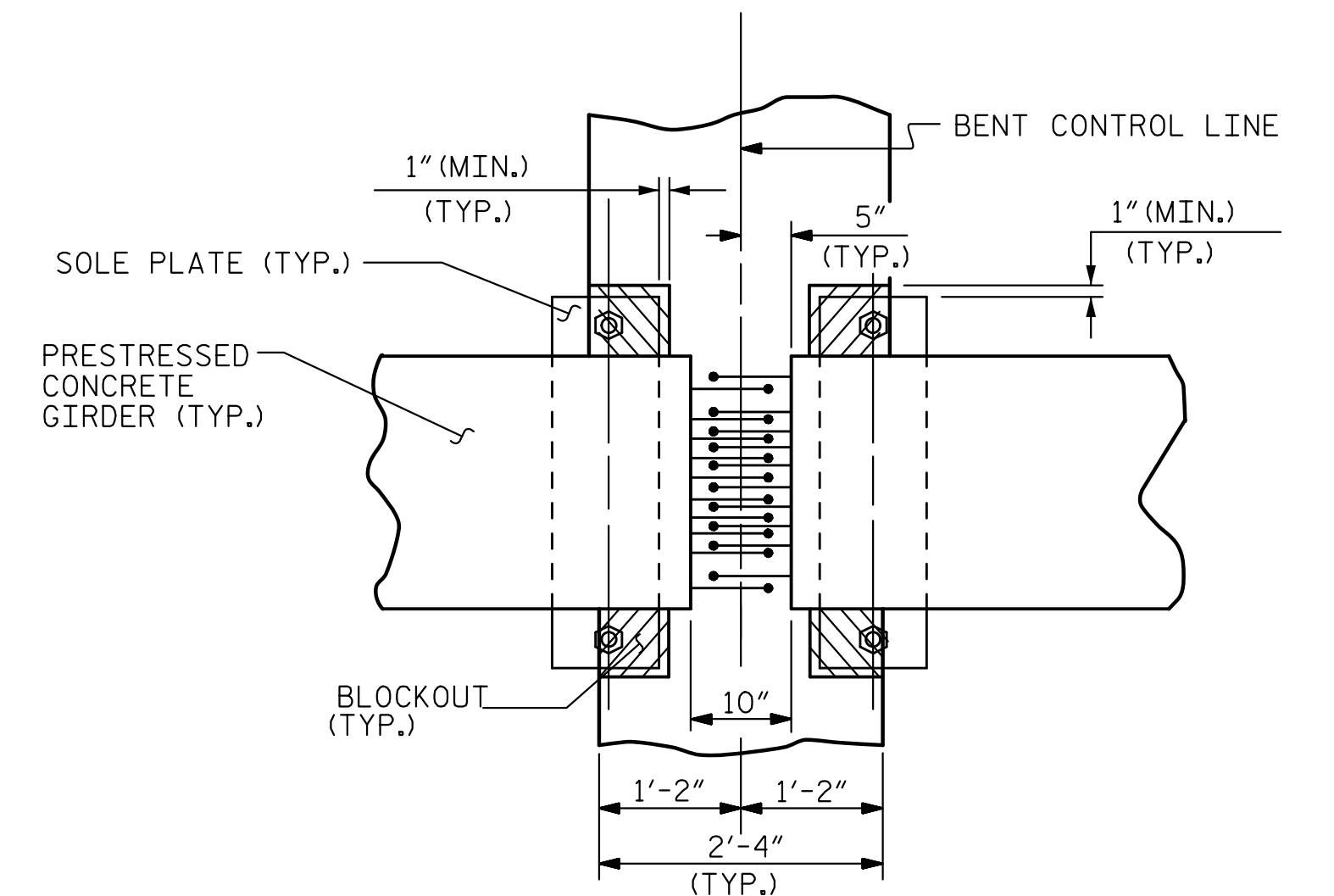
\*#5 G1 BAR MAY BE SHIFTED SLIGHTLY, AS NECESSARY, TO CLEAR STEEL REINFORCING AND STIRRUPS.



**SECTION THRU BENT DIAPHRAGM**

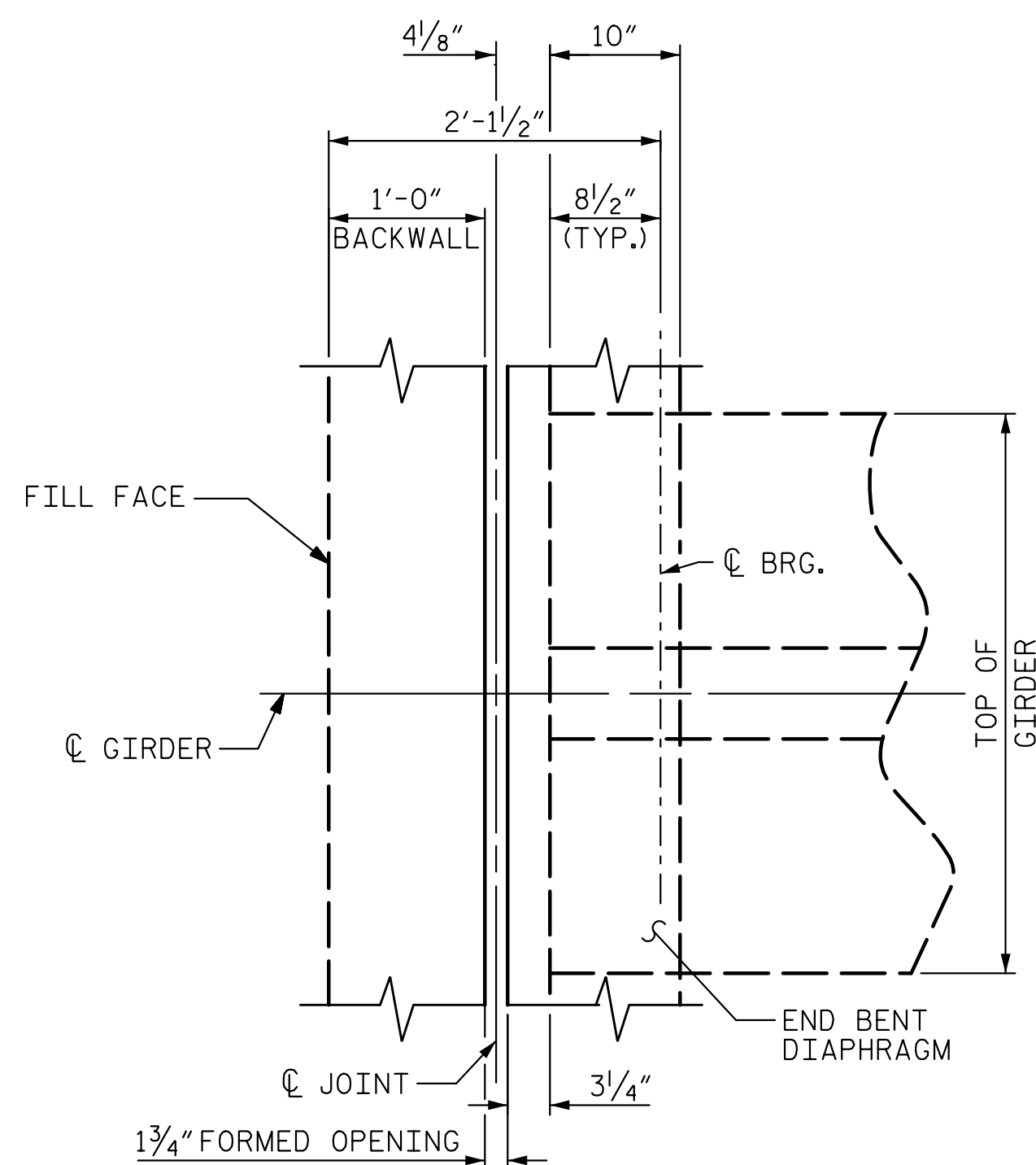


**SECTION**

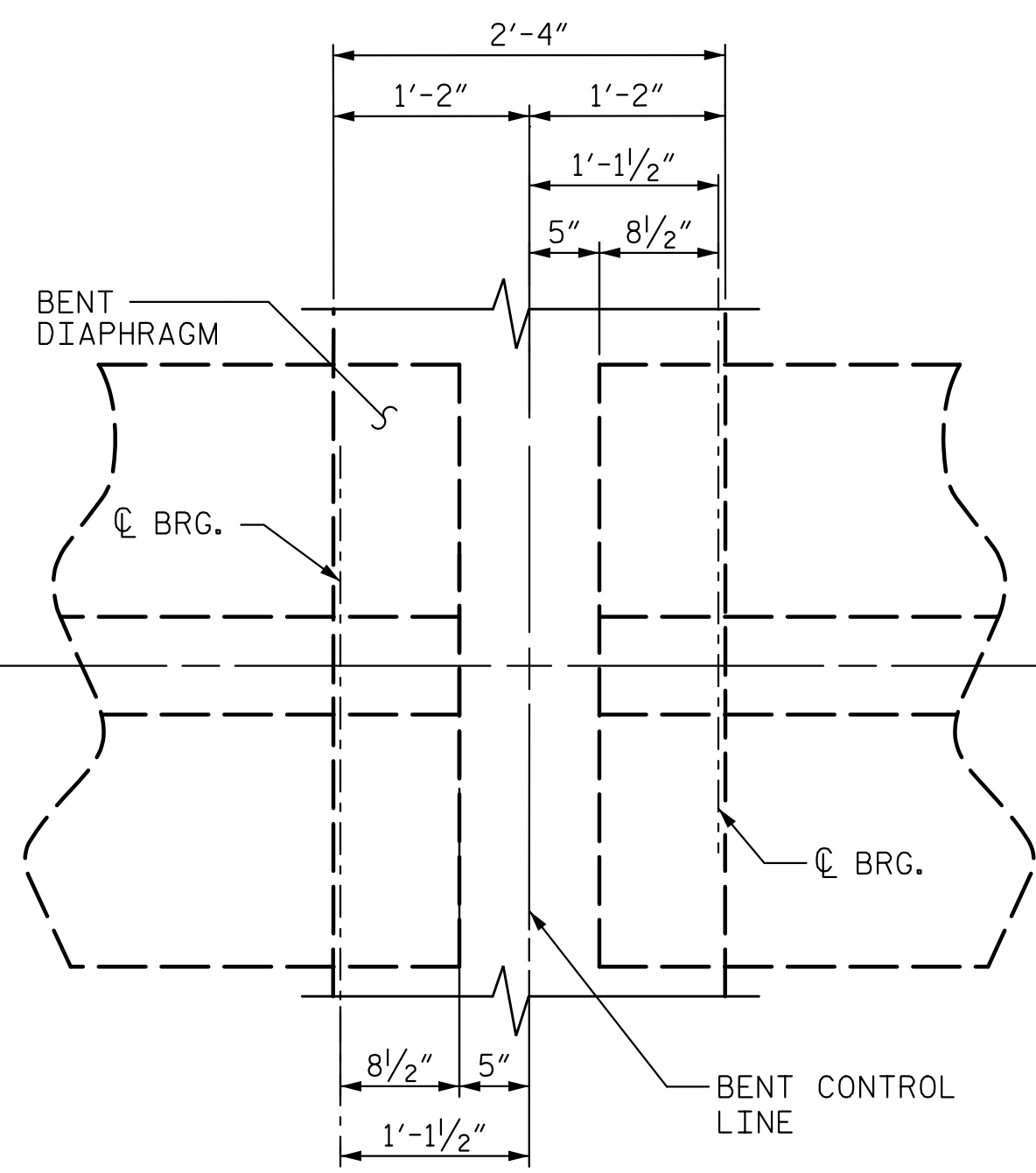


**PLAN**

**BENT DIAPHRAGM BLOCK-OUT DETAIL**



**END BENT DIAPHRAGM**



**BENT DIAPHRAGM**

**PLAN**

PROJECT NO. W-5516

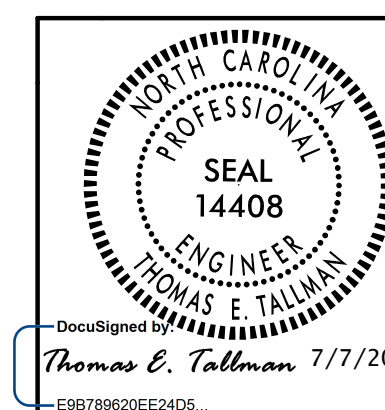
ROWAN COUNTY

STATION: 61+79.40 -L-

SHEET 3 OF 3

STATE OF NORTH CAROLINA  
DEPARTMENT OF TRANSPORTATION  
RALEIGH

SUPERSTRUCTURE  
TYPICAL SECTION  
DETAILS



5121 Kingdom Way, Suite 100 Raleigh, NC 27607  
NC License No. P-09298

REVISIONS						SHEET NO.
NO.	BY:	DATE:	NO.	BY:	DATE:	S-7
1			3			TOTAL SHEETS
2			4			41

5/28/2015 10:58 AM C:\Users\pep\Documents\Projects\W-5516\sd\_fs\_03.dgn TCA Engineering, Inc.

DRAWN BY: D. H. CARTER DATE: MAY 2015  
 CHECKED BY: M. T. NEIHEISEL DATE: MAY 2015  
 DESIGN ENGINEER OF RECORD: T. E. TALLMAN DATE: MAY 2015