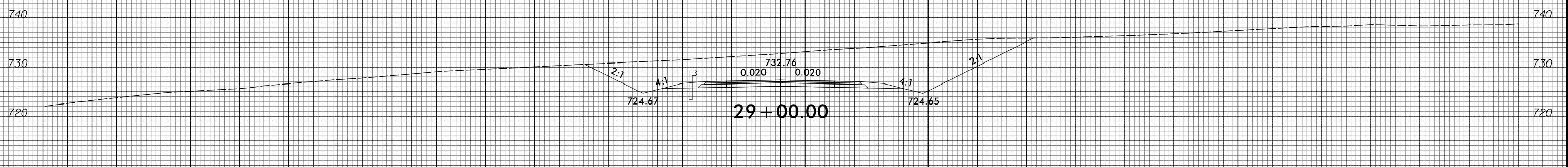
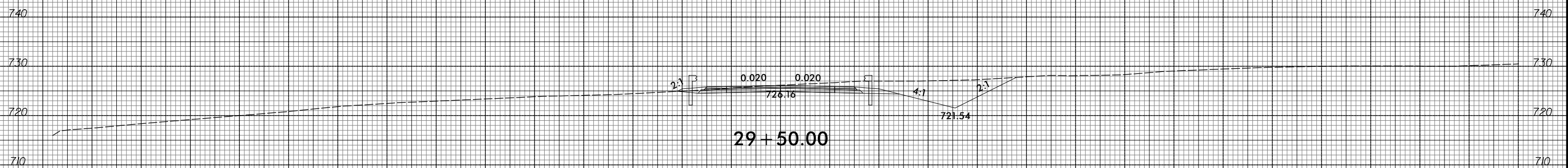
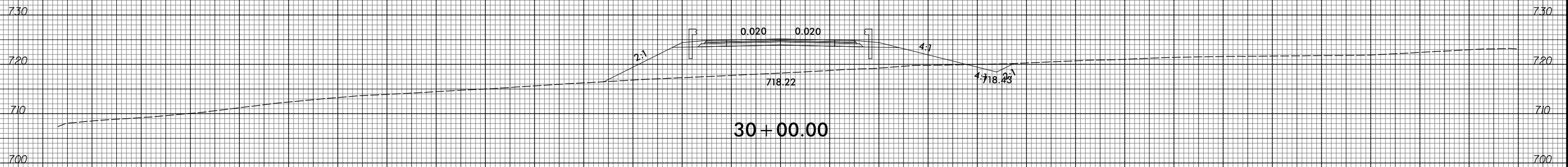
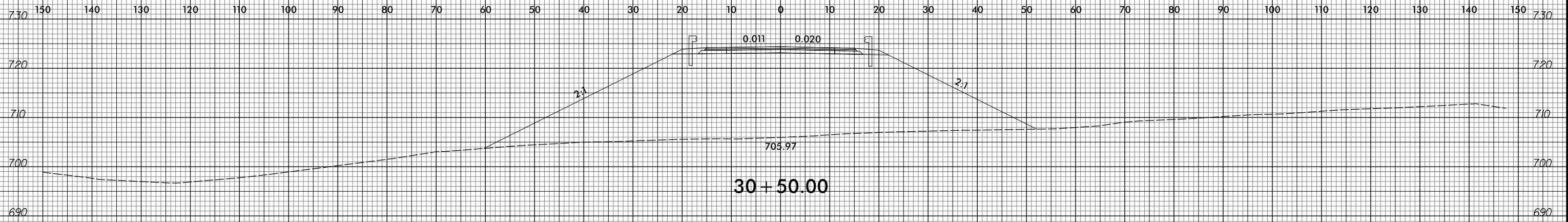


8/23/99



PROJ. REFERENCE NO.  
W-5516

SHEET NO.  
X-9



7/2/2015  
R:\Projects\W-5516-XSC\W-5516-X-9.dwg  
ICA ENGINEERING, INC.

1/1