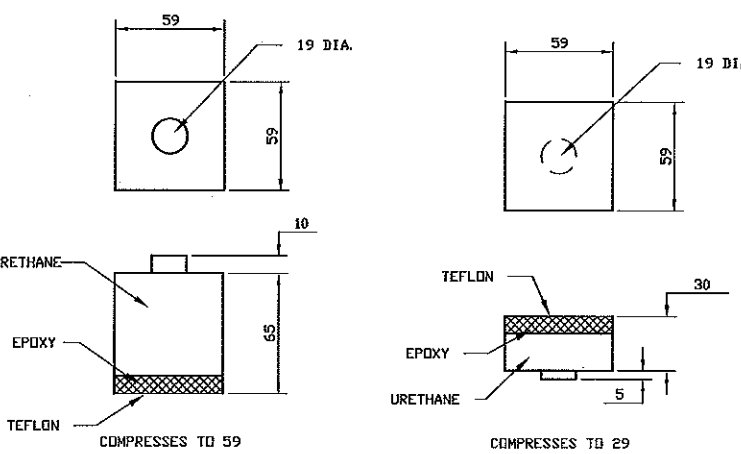
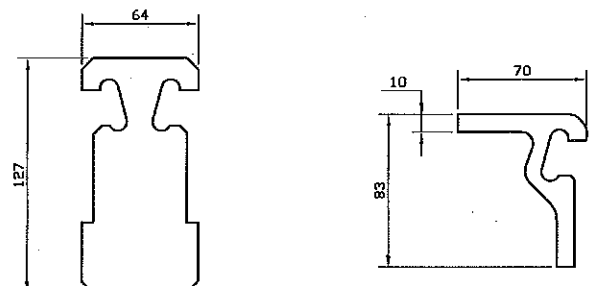


PLAN VIEW
STM41933AR - 3 REQ'D
@ BENTS 51, 55 & 59 MAIN BRIDGE TRESTLE



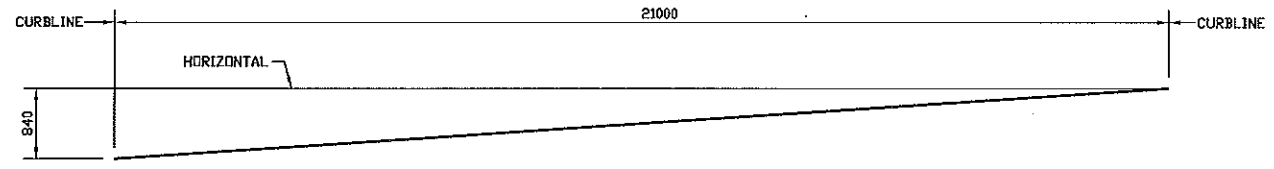
COMPRESSION SPRING
C-306

BEARING
C-307



CENTER BEAM
ITEM # 1887

EDGE BEAM TYPE 'M'
ITEM # 1954

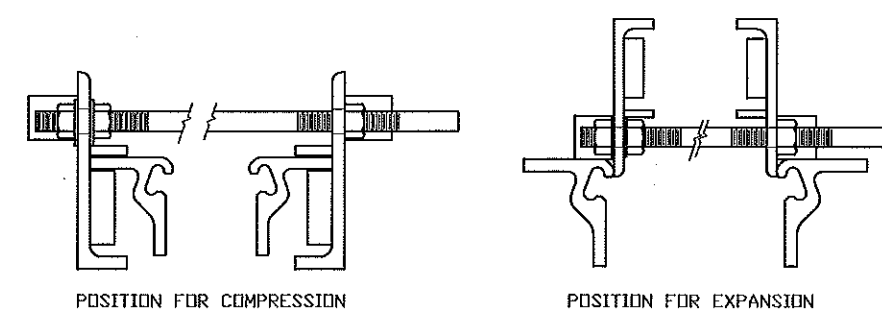


JOINT PROFILE
STM41933AR
BENTS 51, 55 & 59

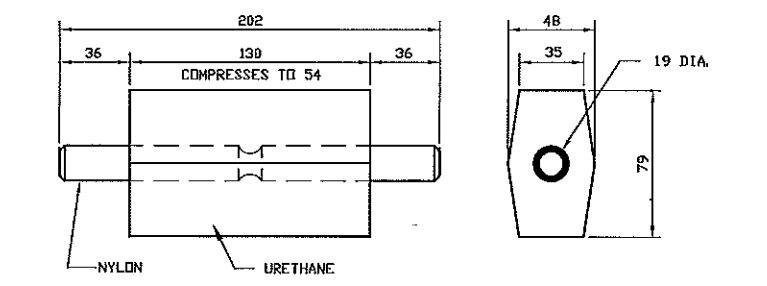


SE-300 GLAND
ITEM # 080

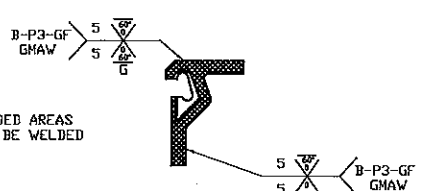
EDGE BEAM TYPE 'A3'
ITEM # 1917



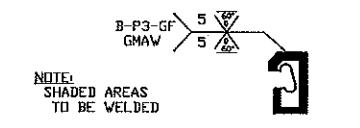
PRESTRESS DEVICE
(PART # 4324)
(SUPPLIED IN DRAWING B-16219)



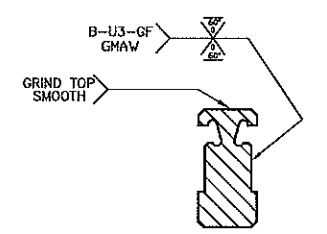
CONTROL SPRING



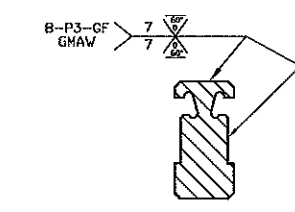
SHOP WELD



SHOP WELD
CURB SPLICES



SHOP WELD



SHOP WELD
CURB SPLICES

STATE: NORTH CAROLINA
COUNTY: CRAVEN
PROJECT NO.: NHF-17(10)
PROJECT NO.: 8.1170804 (B-2531B)
WBA PRODUCT NO.: STM41933AP, AQ & AR
JOINT TYPE: STRIP SEAL MODULAR - STM600

NO.	DESCRIPTION	NAME	DATE
4			
3			
2			
1			

REVISIONS

THIS DRAWING AND THE DESIGN, DETAILS AND/OR ENGINEERING INFORMATION CONTAINED HEREON ARE THE PROPRIETARY PROPERTY OF WATSON BOWMAN ACME AND ARE NOT TO BE REPRODUCED OR USED EXCEPT FOR THE PURPOSE FOR WHICH THEY HAVE BEEN FURNISHED. ALL RIGHTS OF DESIGN AND INVENTION ARE HEREBY RESERVED.

Watson Bowman Acme
95 PINEVIEW DRIVE ARDEN, N.C. 28706 TEL. (716) 691-7668 FAX (716) 691-9239

A DIVISION OF **HARRIS SPECIALTY CHEMICALS, INC.**

DESIGNED BY: MN	DATE: 8/21/96
CHECKED BY: RH	DATE: 8/30/96
SCALE: N.T.S.	WBA JOB NO.: 41933
SHEET NO.: 2 OF 4	DRAWING NO.: B-16454

PROJECT: **NEUSE RIVER BRIDGE**

I:\DWG1996\B1645402.DWG, 7/16/2014 8:15:46 AM