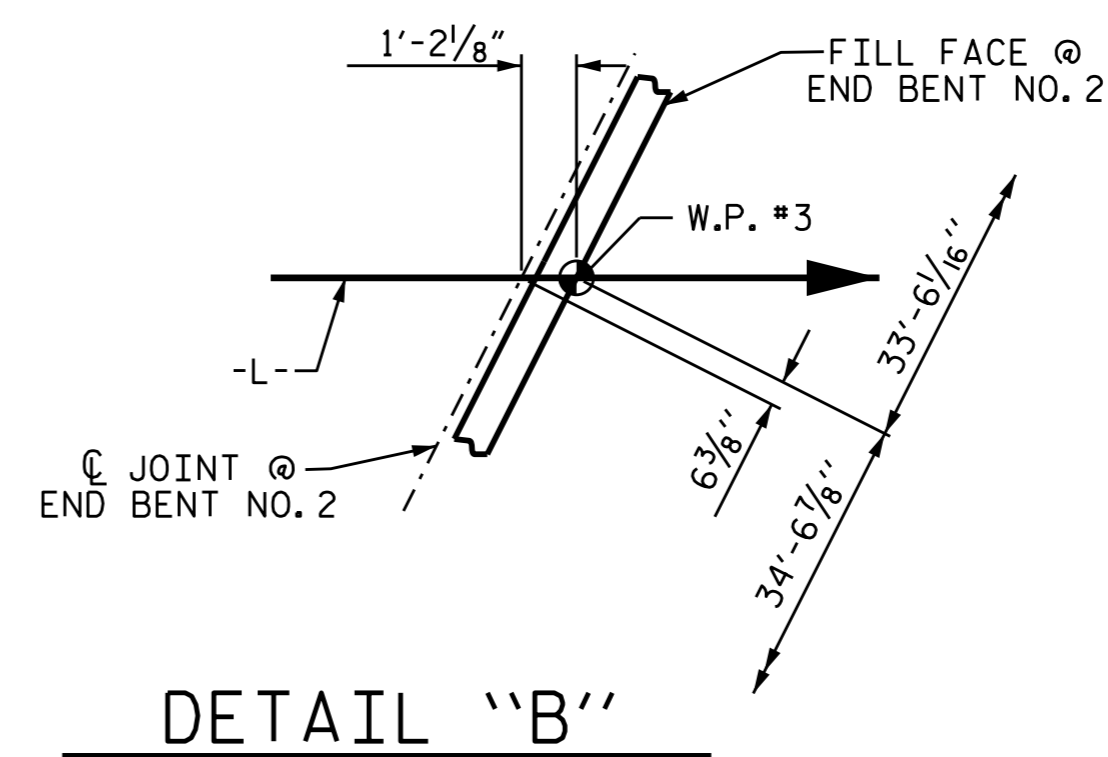


PLAN OF SPAN B



DETAIL "B"

PROJECT NO. R-2915A
 WATAUGA/ASHE COUNTY
 STATION: 11+18.63 -L-

SHEET 2 OF 2

STATE OF NORTH CAROLINA
 DEPARTMENT OF TRANSPORTATION
 RALEIGH

SUPERSTRUCTURE
 PLAN OF SPANS
 SPAN "B"



REVISIONS						SHEET NO. S-8
NO.	BY:	DATE:	NO.	BY:	DATE:	
1			3			TOTAL SHEETS 31
2			4			

DRAWN BY: V.X. NGUYEN DATE: 8-4-14
 CHECKED BY: D. HODGE DATE: 1-15
 DESIGN ENGINEER OF RECORD: A.M. LEE DATE: 4-15