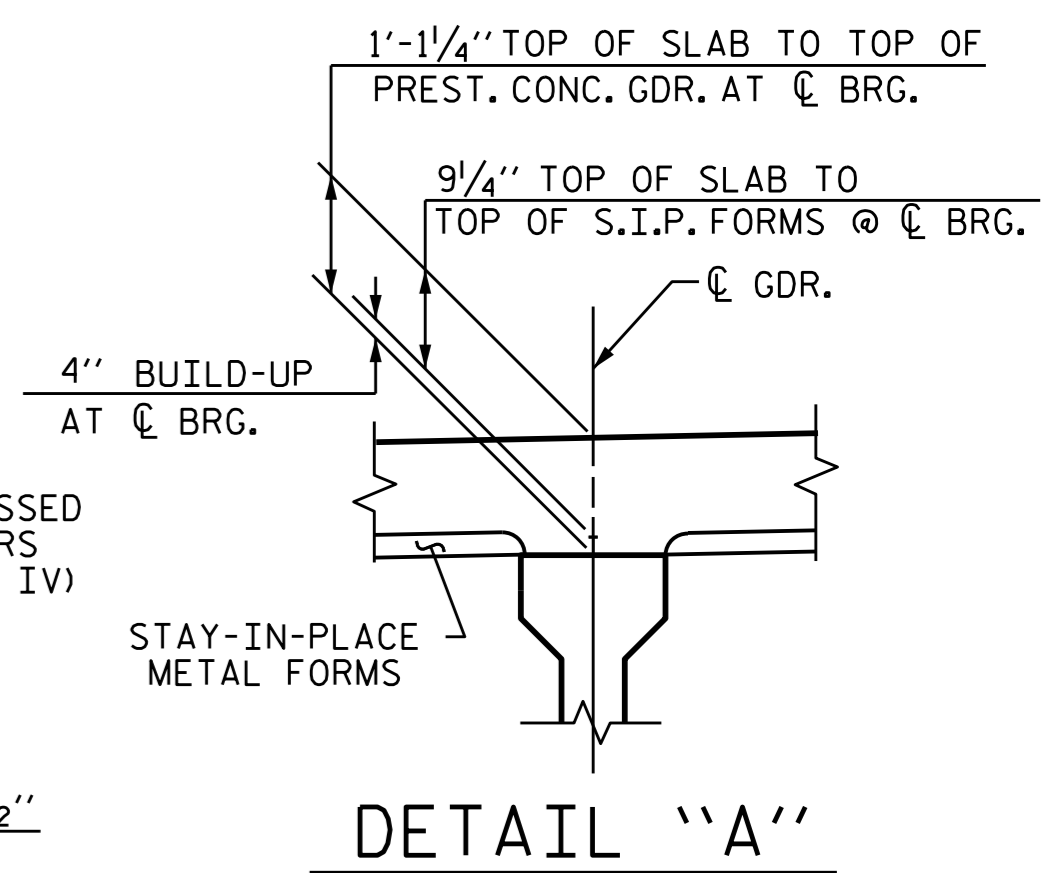
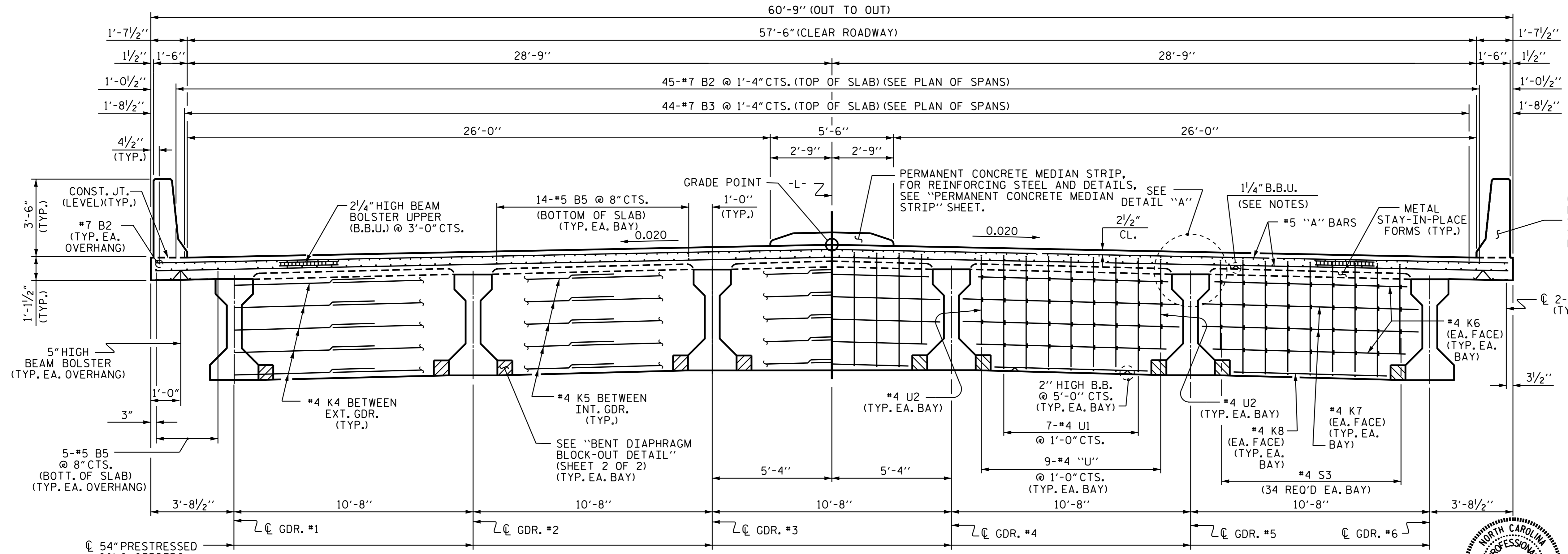


**TYPICAL SECTION**  
(SHOWING END BENT DIAPHRAGMS)



**DETAIL "A"**



**TYPICAL SECTION**  
(SHOWING CONTINUOUS BENT DIAPHRAGMS)

PROJECT NO. R-2915A  
WATAUGA COUNTY  
STATION: 11+18.63 -L-  
SHEET 1 OF 2

STATE OF NORTH CAROLINA DEPARTMENT OF TRANSPORTATION RALEIGH					
<b>SUPERSTRUCTURE TYPICAL SECTIONS</b>					
SHEET NO. S-5					
TOTAL SHEETS 31					
REVISIONS					
NO.	BY:	DATE:	NO.	BY:	DATE:
1			3		
2			4		

DRAWN BY: V.X. NGUYEN DATE: 7-30-14  
CHECKED BY: D. HODGE DATE: 1-15  
DESIGN ENGINEER OF RECORD: A.M. LEE DATE: 4-15

