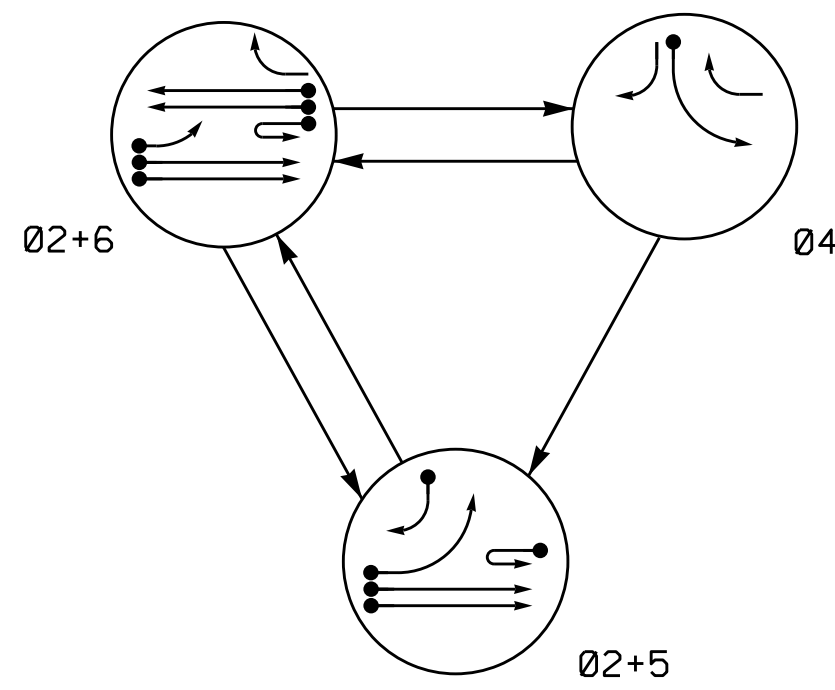


PHASING DIAGRAM



PHASING DIAGRAM DETECTION LEGEND

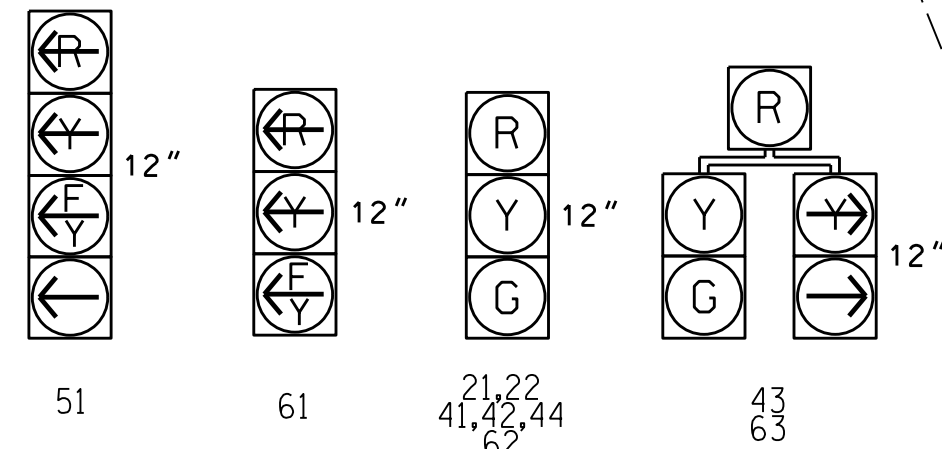
- ←● DETECTED MOVEMENT
- ← UNDETECTED MOVEMENT (OVERLAP)
- ←- - UN SIGNALIZED MOVEMENT
- ←- - PEDESTRIAN MOVEMENT

TABLE OF OPERATION

SIGNAL FACE	PHASE			
	02+5	02+6	04	F L R Y
21,22	G	G	R	Y
41,42,44	R	R	G	R
43	R	R	G	R
51	F	F	R	Y
61	F	F	R	Y
62	R	G	R	Y
63	R	G	R	Y

SIGNAL FACE I.D.

All Heads L.E.D.



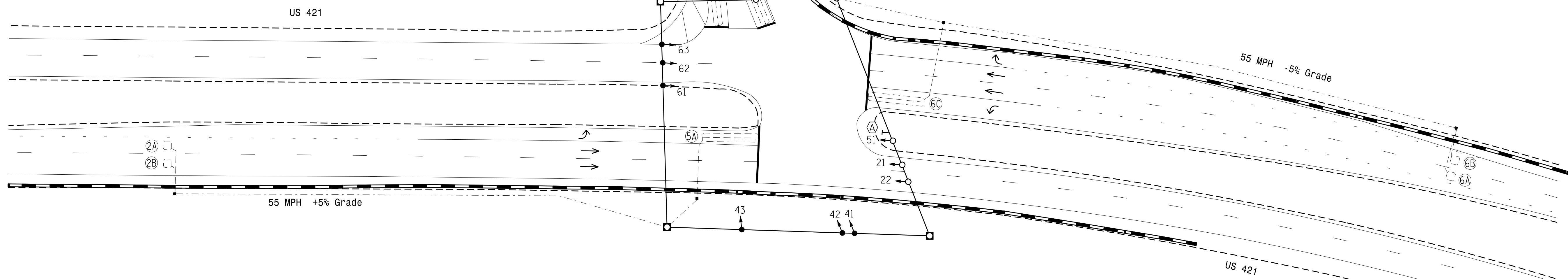
OASIS 2070 LOOP & DETECTOR INSTALLATION CHART

LOOP	SIZE (FT)	DISTANCE FROM STOPBAR (FT)	TURNS	DETECTOR PROGRAMMING								
				NEW LOOP	PHASE	CALLING	EXTENSION	FULL TIME DELAY	STRETCH TIME	DELAY TIME	SYSTEM LOOP	NEW CARD
2A	6X6	420	5	-	2	Y	Y	-	-	-	-	Y
2B	6X6	420	5	-	2	Y	Y	-	-	-	-	Y
4A	6X40	0	2-4-2	-	4	Y	Y	-	-	3	-	Y
5A	6X40	0	2-4-2	-	5	Y	Y	-	-	15	-	Y
5B	6X40	0	2-4-2	-	5	Y	Y	-	-	15	-	Y
6A	6X6	420	5	-	6	Y	Y	-	-	-	-	Y
6B	6X6	420	5	-	6	Y	Y	-	-	-	-	Y
6C	6X40	0	2-4-2	-	6	Y	Y	-	-	3	-	Y

3 Phase Fully Actuated Isolated

NOTES

1. Refer to "Roadway Standard Drawings NCDOT" dated January 2012 and "Standard Specifications for Roads and Structures" dated January 2012.
2. Do not program signal for late night flashing operation unless otherwise directed by the Engineer.
3. Phase 5 may be lagged.
4. Set all detector units to presence mode.
5. Locate new cabinet so as not to obstruct sight distance of vehicles turning right on red.
6. Program controller to operate using FYA compact mode.



OASIS 2070 TIMING CHART

FEATURE	PHASE			
	2	4	5	6
Min Green 1 *	14	7	7	14
Extension 1 *	6.0	2.0	2.0	6.0
Max Green 1 *	90	25	25	90
Yellow Clearance	5.8	3.0	3.0	5.8
Red Clearance	1.6	3.6	2.8	1.6
Red Revert	2.0	2.0	2.0	2.0
Walk 1 *	-	-	-	-
Don't Walk 1	-	-	-	-
Seconds Per Actuation *	1.8	-	-	1.8
Max Variable Initial *	46	-	-	46
Time Before Reduction *	15	-	-	15
Time To Reduce *	30	-	-	30
Minimum Gap	3.4	-	-	3.4
Recall Mode	MIN RECALL	-	-	MIN RECALL
Vehicle Call Memory	YELLOW	-	-	YELLOW
Dual Entry	-	-	-	-
Simultaneous Gap	ON	ON	ON	ON

\* These values may be field adjusted. Do not adjust Min Green and Extension times for phases 2 and 6 lower than what is shown. Min Green for all other phases should not be lower than 4 seconds.

LEGEND

- | PROPOSED                                     | EXISTING                                     |
|--|--|
| ○ → Traffic Signal Head                      | ● → N/A                                      |
| ● → Modified Signal Head                     | — Sign                                       |
| ⊥ Pedestrian Signal Head                     | ⊥ Signal Pole with Guy                       |
| ⊥ With Push Button & Sign                    | ⊥ Signal Pole with Sidewalk Guy              |
| ⊥ Signal Pole with Guy                       | ⊥ Inductive Loop Detector                    |
| ⊥ Signal Pole with Sidewalk Guy              | ⊥ Controller & Cabinet                       |
| ⊥ Inductive Loop Detector                    | ⊥ Junction Box                               |
| ⊥ Controller & Cabinet                       | ⊥ 2-in Underground Conduit                   |
| ⊥ Junction Box                               | ⊥ Right of Way                               |
| ⊥ 2-in Underground Conduit                   | → Directional Arrow                          |
| ⊥ Right of Way                               | ⊠ Metal Strain Pole                          |
| → Directional Arrow                          | ⊠ "U-TURN YIELD TO RIGHT TURN" Sign (R10-16) |
| ⊠ Metal Strain Pole                          | ⊠  |
| ⊠ "U-TURN YIELD TO RIGHT TURN" Sign (R10-16) | ⊠  |

Temporary Signal 1 (TCP Phase IA)

750 N. Greenfield Pkwy, Garner, NC 27529

US 421 at US 221

Division 11 Watauga County Deep Gap

PLANNED BY: May 2015 REVIEWED BY: T.J. Williams

PREPARED BY: Z.M. Little REVIEWED BY:

SEAL

ZACHARY M. LITTLE

SCALE 0 40

1" = 40'

REVISIONS

NO.	DATE	DESCRIPTION

INIT. DATE

DocuSign by: *Zachary M. Little* 5/22/2015

SIG. INVENTORY NO. II-1174 TI

02-111111-2015-03-20  
 R:\MTC\Projects\2015\03-20\Signal Design\Signal Design Section\Signal Design Section.dgn  
 2/11/15