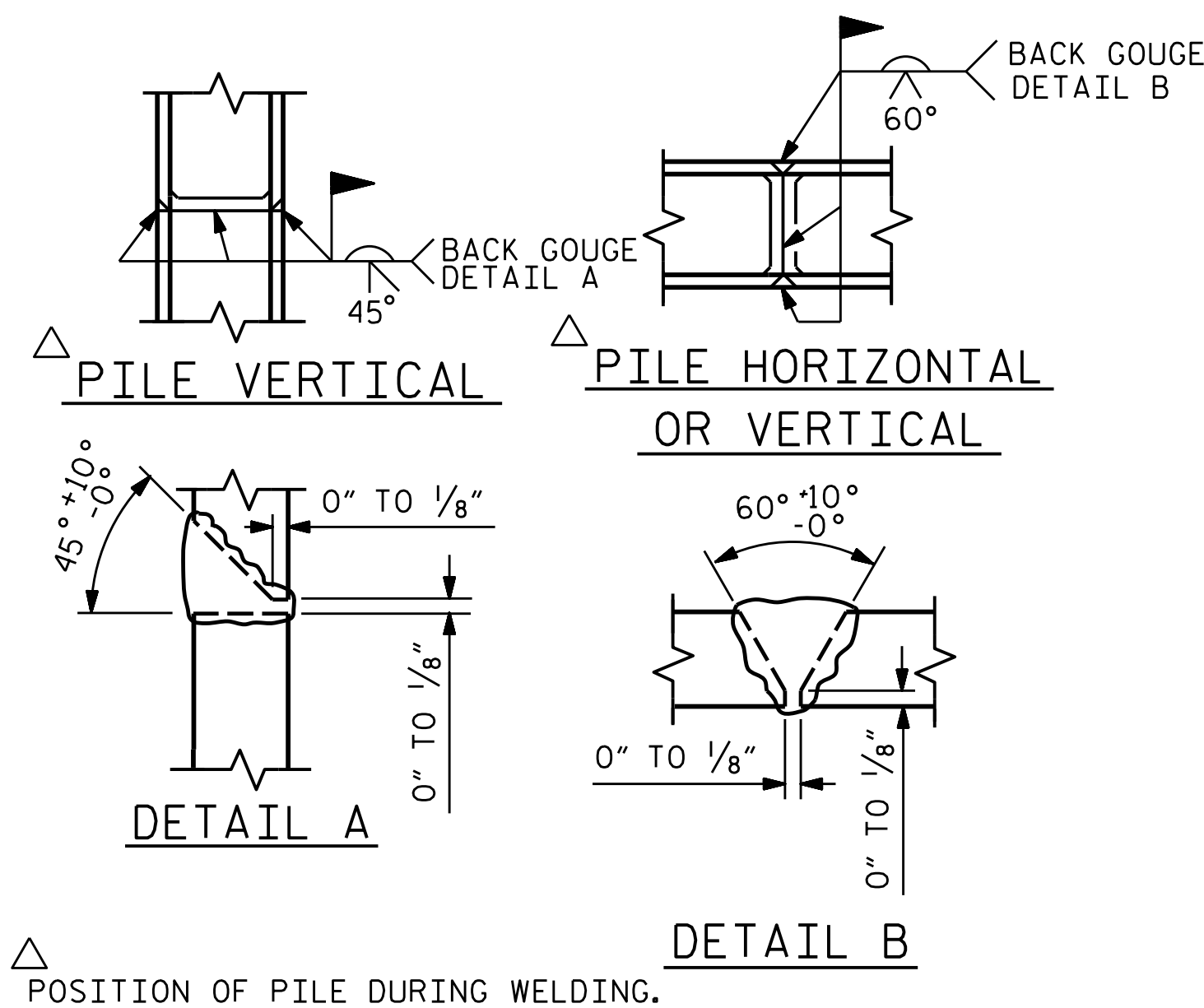


BAGGED STONE AND PIPE SHALL BE PLACED IMMEDIATELY AFTER COMPLETION OF END BENT EXCAVATION. PIPE MAY BE EITHER CONCRETE, CORRUGATED STEEL, CORRUGATED ALUMINUM ALLOY, OR CORRUGATED PLASTIC. PERFORATED PIPE WILL NOT BE ALLOWED.

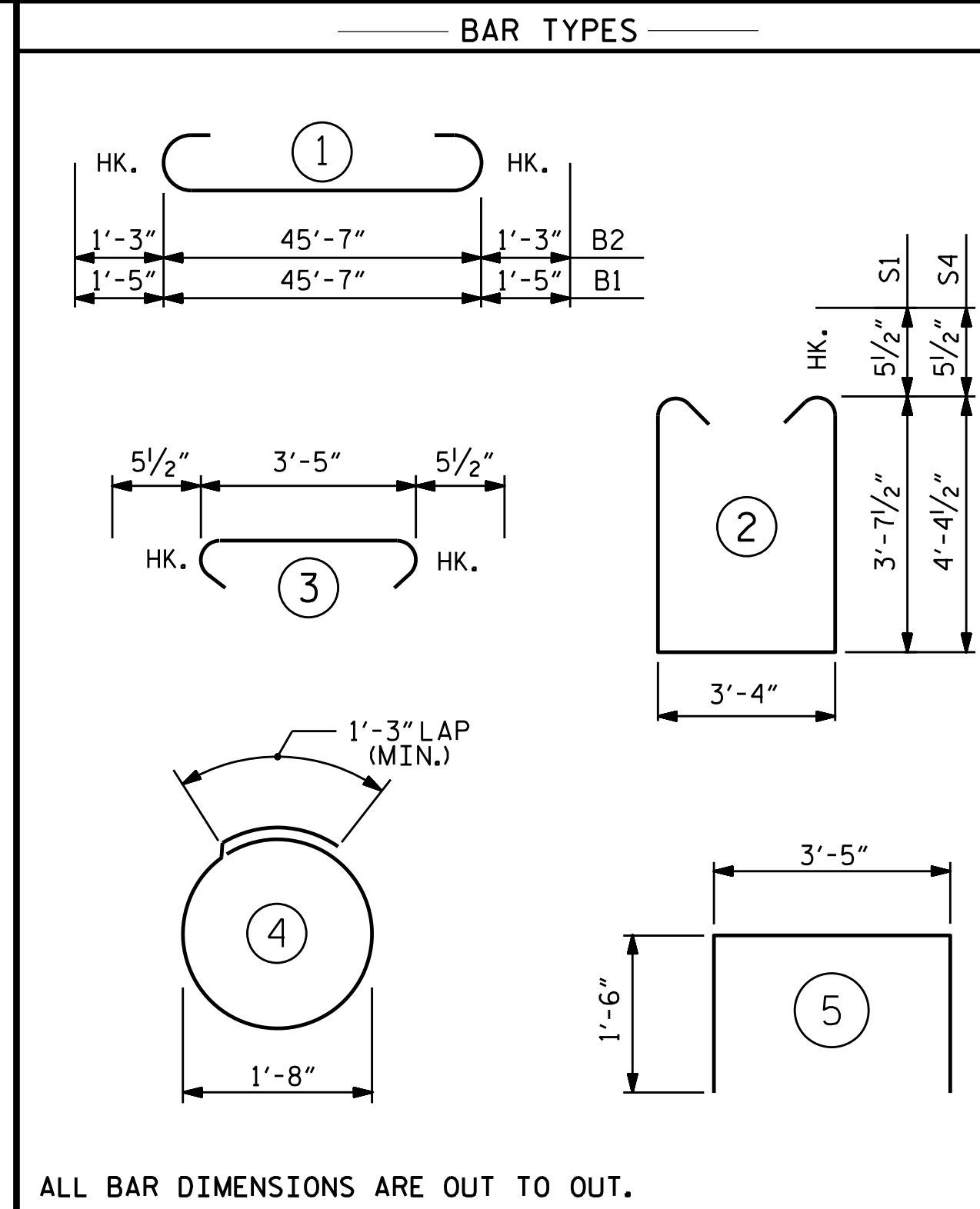
BAGGED STONE SHALL REMAIN IN PLACE UNTIL THE ENGINEER DIRECTS THAT IT BE REMOVED. THE CONTRACTOR SHALL REMOVE AND DISPOSE OF SILT ACCUMULATIONS AT BAGGED STONE WHEN SO DIRECTED BY THE ENGINEER. BAGS SHALL BE REMOVED AND REPLACED WHENEVER THE ENGINEER DETERMINES THAT THEY HAVE DETERIORATED AND LOST THEIR EFFECTIVENESS.

NO SEPARATE PAYMENT WILL BE MADE FOR THIS WORK AND THE ENTIRE COST OF THIS WORK SHALL BE INCLUDED IN THE UNIT CONTRACT PRICE BID FOR THE SEVERAL PAY ITEMS.

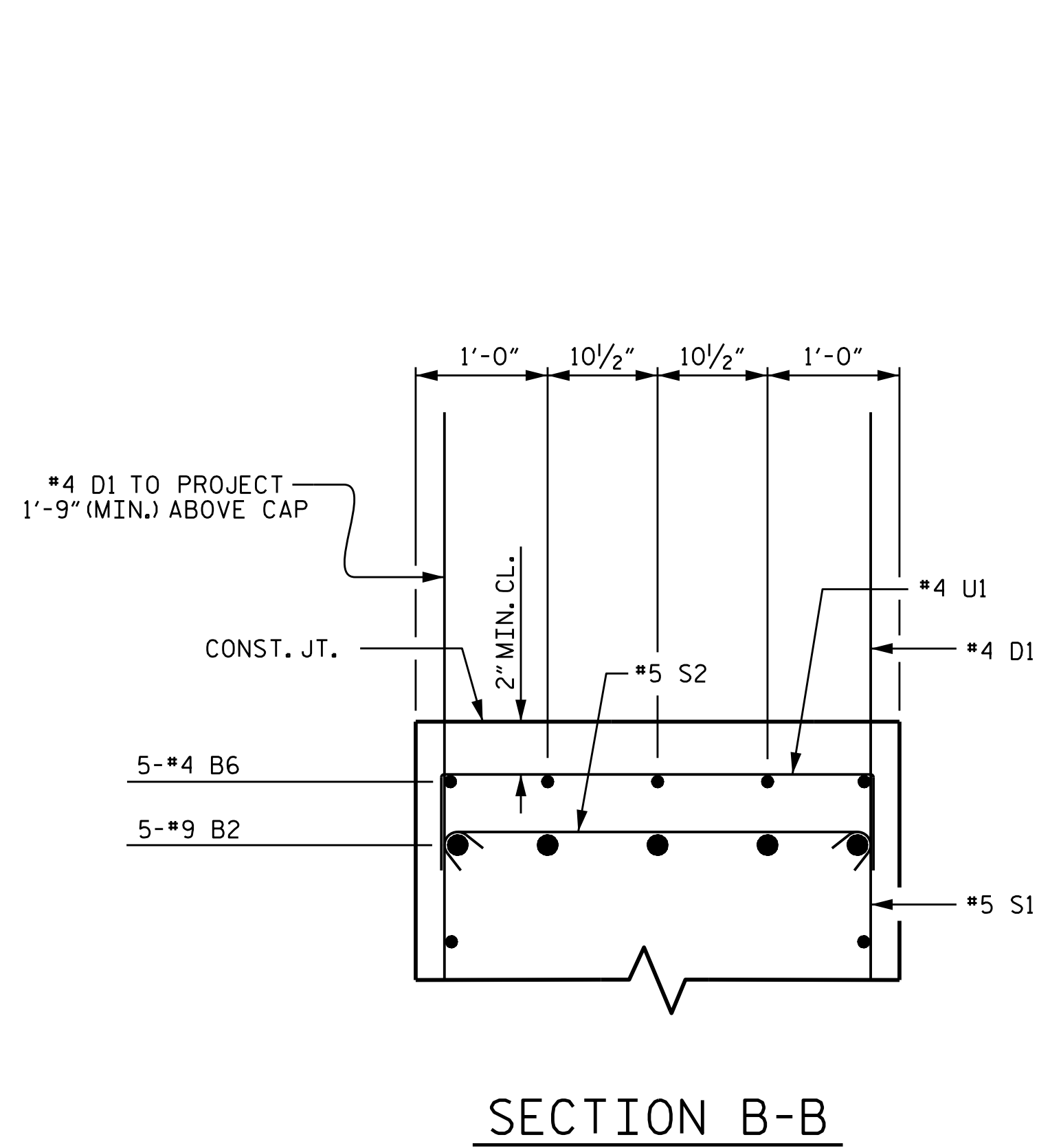
**TEMPORARY DRAINAGE AT END BENT**



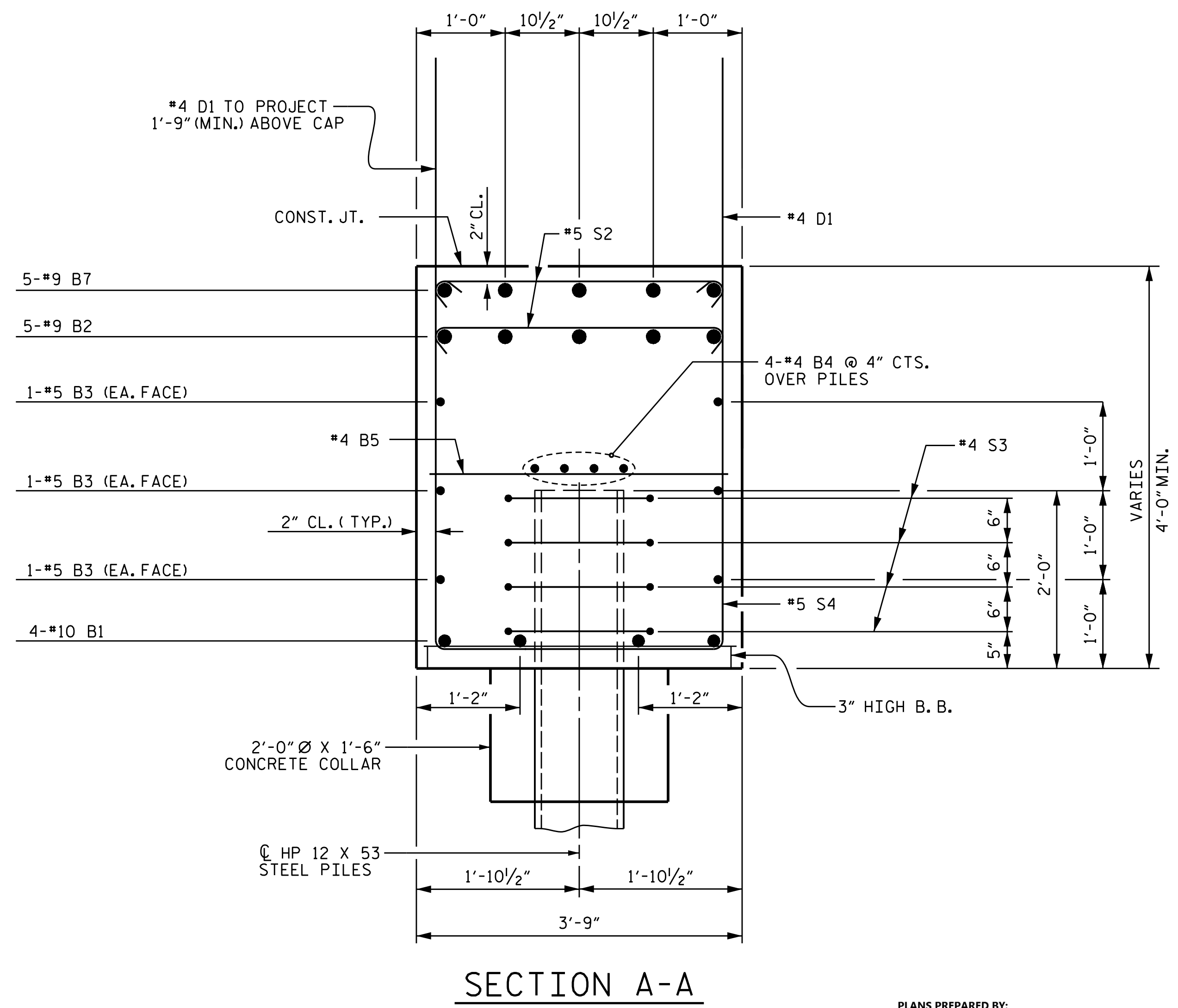
**PILE SPLICE DETAILS**



BILL OF MATERIAL					
END BENT #2					
BAR	No.	SIZE	TYPE	LENGTH	WEIGHT
B1	4	#10	1	48'-5"	833
B2	5	#9	1	48'-1"	817
B3	6	#5	STR	45'-8"	286
B4	8	#4	STR	24'-1"	129
B5	12	#4	STR	3'-5"	27
B6	5	#4	STR	21'-4"	71
B7	1	#9	STR	8'-9"	30
B8	1	#9	STR	8'-6"	29
B9	1	#9	STR	8'-2"	28
B10	1	#9	STR	7'-10"	27
B11	1	#9	STR	7'-7"	26
D1	68	#4	STR	6'-4"	288
H1	8	#5	STR	14'-1"	118
H2	8	#5	STR	14'-4"	120
H3	10	#5	STR	14'-8"	153
H4	10	#5	STR	14'-5"	150
S1	31	#5	2	11'-6"	372
S2	43	#5	3	4'-4"	194
S3	32	#4	4	6'-6"	139
S4	6	#5	2	13'-0"	81
U1	15	#4	5	6'-5"	64
V3	26	#5	STR	9'-6"	258
V4	26	#5	STR	10'-5"	282
REINFORCING STEEL					4522 LBS.
CLASS A CONCRETE					
POUR #1 (CAP, LOWER WINGS & COLLARS)					32.5 C.Y.
TOTAL					32.5 C.Y.
HP 12 X 53 STEEL PILES					
No. = 8					280 LIN. FT.



**SECTION B-B**



**SECTION A-A**

PROJECT NO. R-2915B  
ASHE COUNTY  
 STATION: 242+67.42 -L-  
 SHEET 3 OF 3

STATE OF NORTH CAROLINA  
 DEPARTMENT OF TRANSPORTATION  
 RALEIGH

SUBSTRUCTURE  
 INTEGRAL  
 END BENT #2  
 NBL

REVISIONS					
NO.	BY:	DATE:	NO.	BY:	DATE:
1			3		
2			4		

SHEET NO. S05-32  
 TOTAL SHEETS 35

DRAWN BY : T.J. KIRSCHBAUM DATE : 10/13/14  
 CHECKED BY : E.E. DEETSREEK DATE : 11/10/14  
 DESIGN ENGINEER OF RECORD : R.F. WERTMAN DATE : 11/13/14

PLANS PREPARED BY:  
**Gannett Fleming**  
 Excellence Delivered As Promised

1121 Situs Court  
 Suite 170  
 Raleigh NC 27606-4279  
 (919) 859-4880  
 NCLic. No. F-0270

