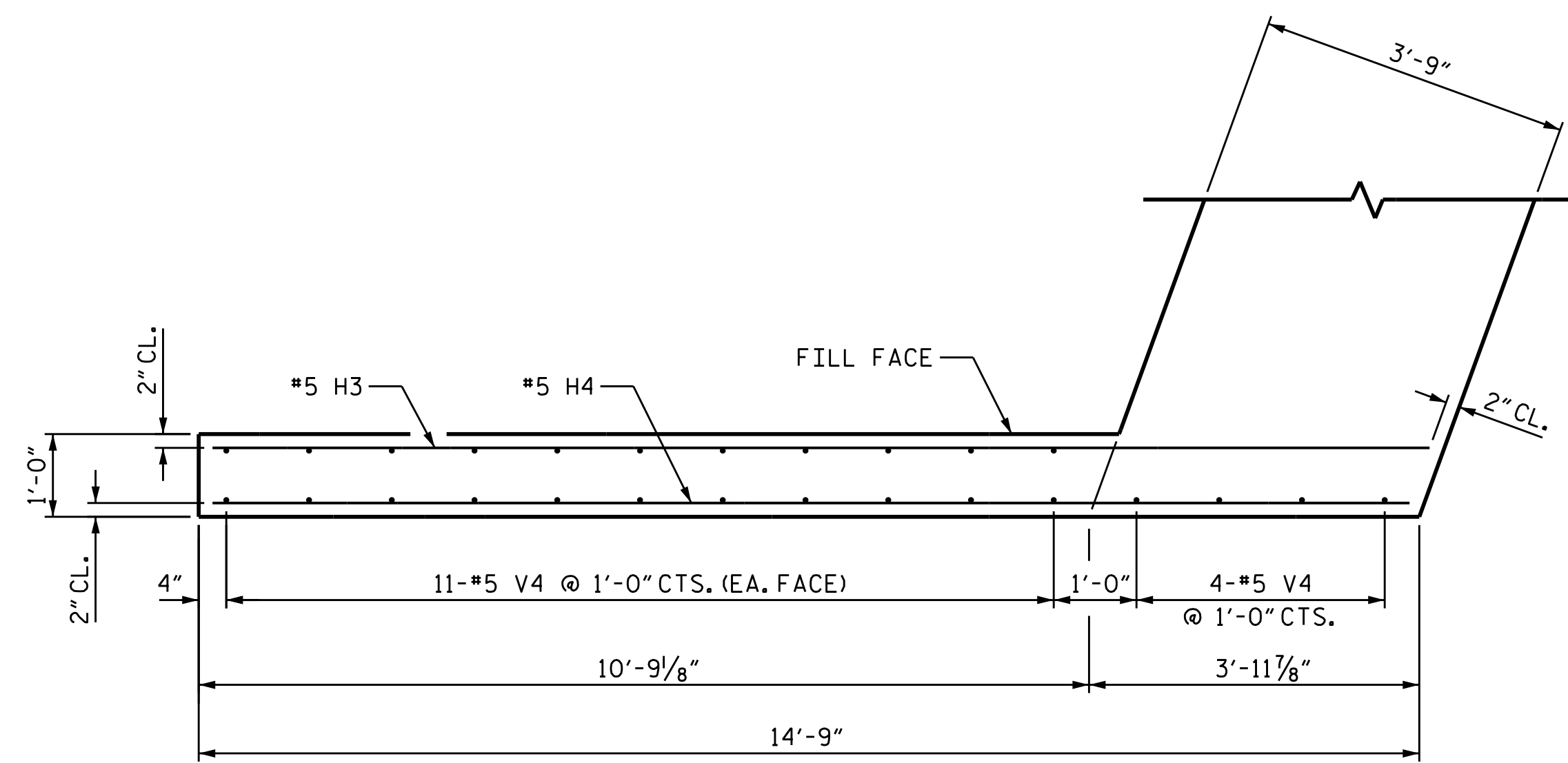
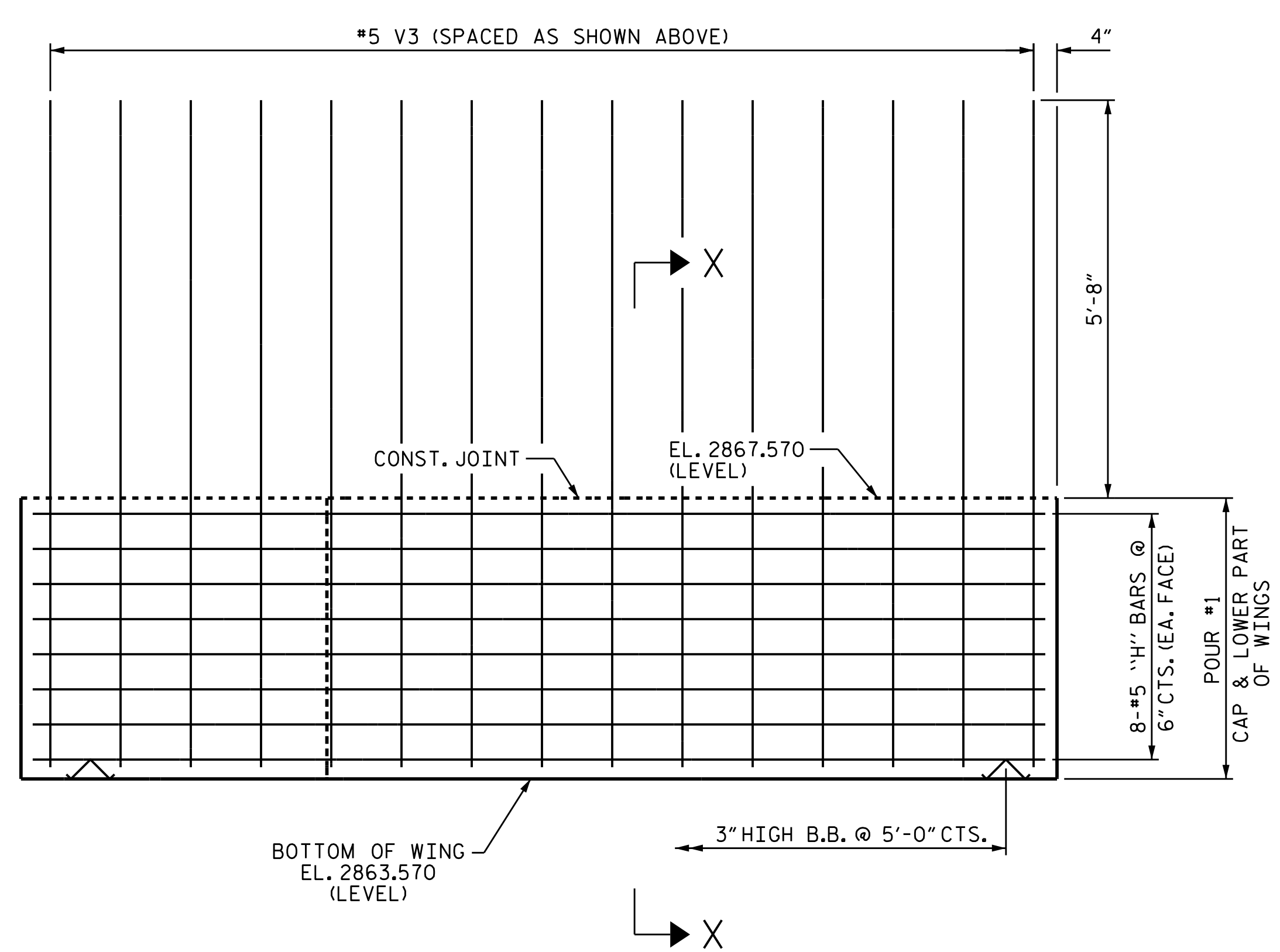


PLAN OF WING (W3)

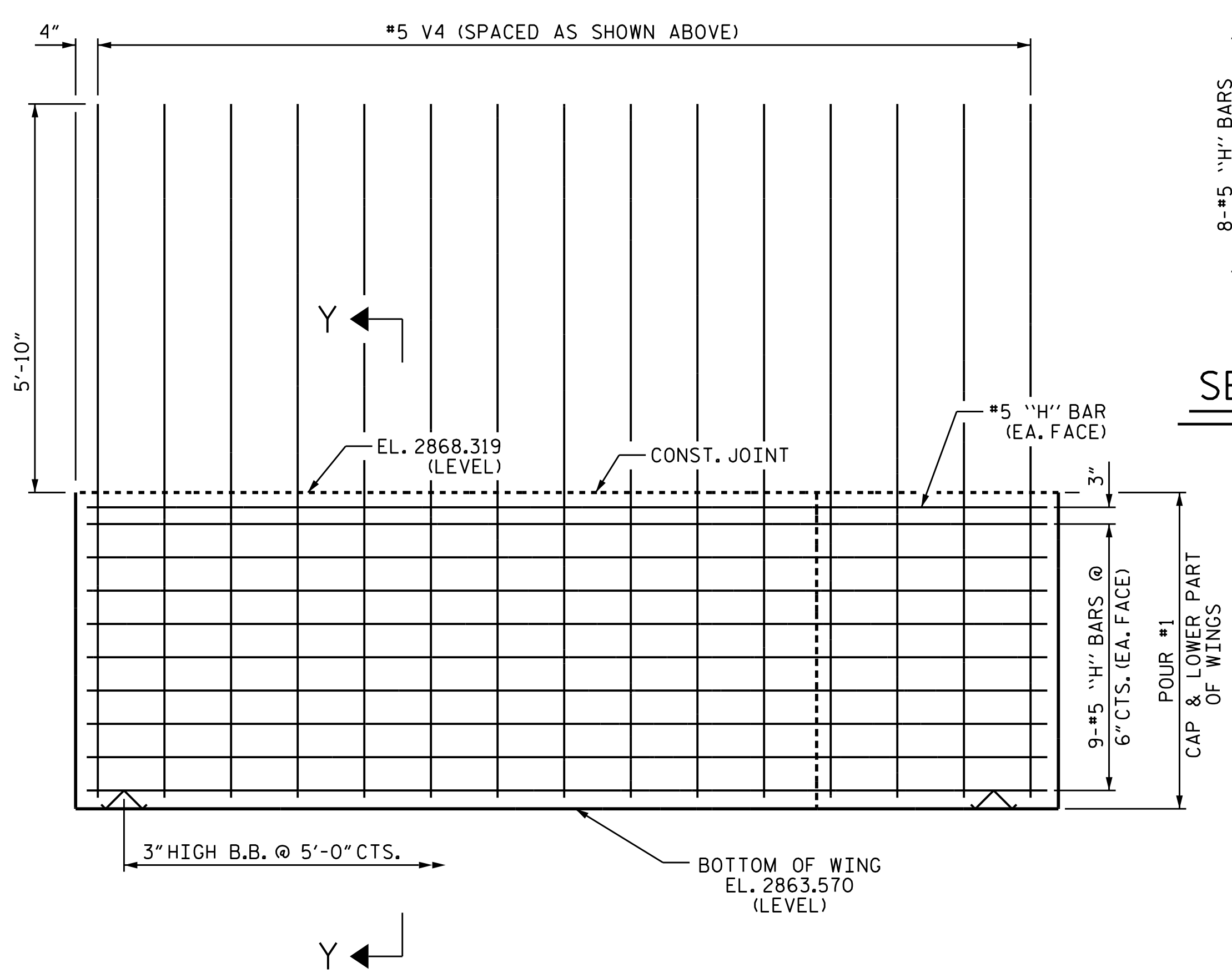


PLAN OF WING (W4)

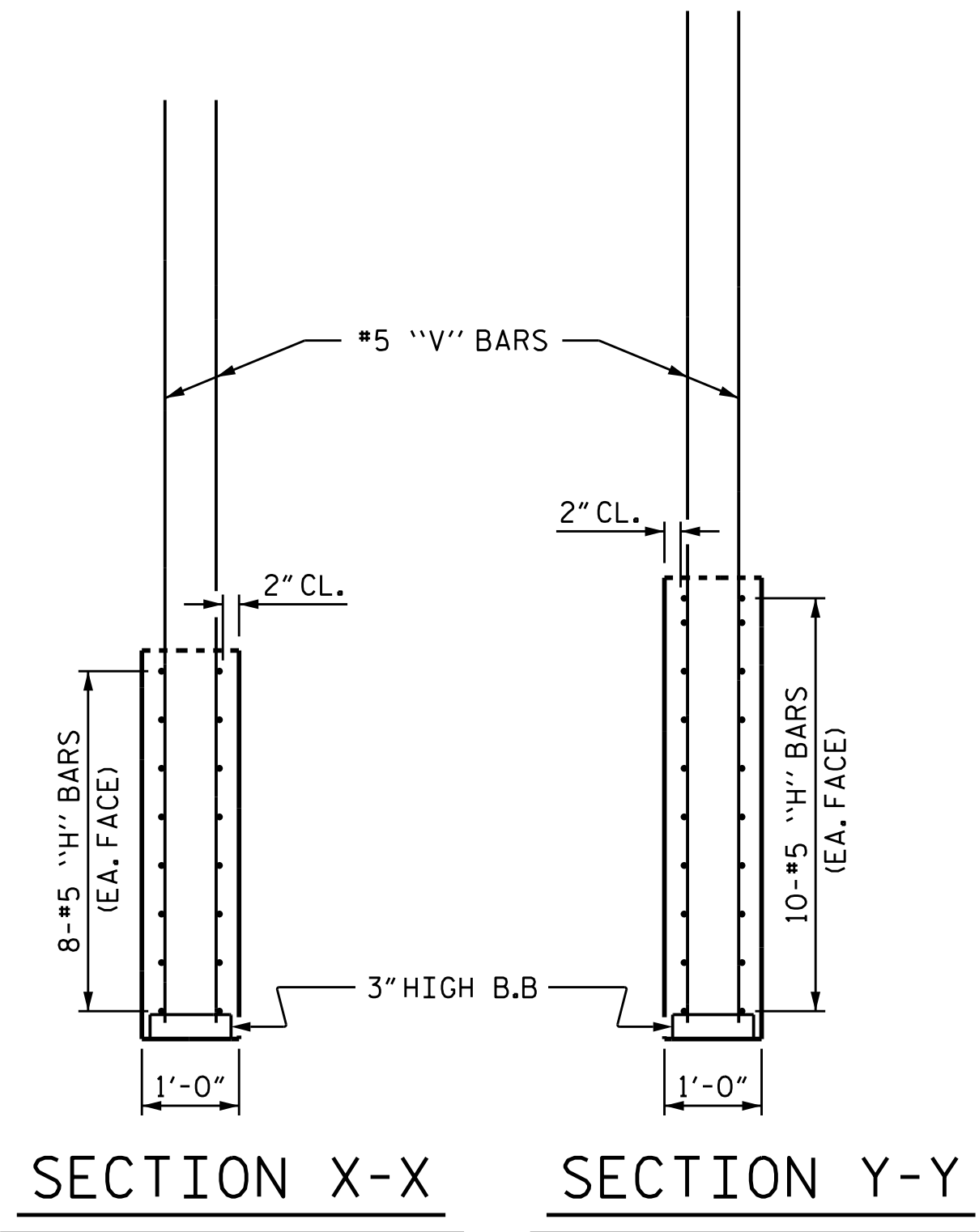
NOTES:
 THE UPPER PORTION OF THE WINGS SHALL BE POURED WITH THE SUPERSTRUCTURE. FOR DETAILS AND REINFORCING STEEL, SEE SUPERSTRUCTURE DETAILS.



ELEVATION OF WING (W3)



ELEVATION OF WING (W4)



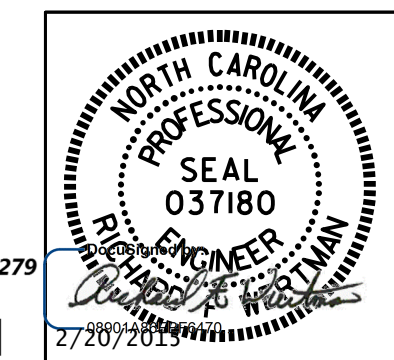
SECTION X-X SECTION Y-Y

PROJECT NO. R-2915B
 ASHE COUNTY
 STATION: 242+67.42 -L-

SHEET 2 OF 3
 DEPARTMENT OF TRANSPORTATION
 RALEIGH
 SUBSTRUCTURE
 INTEGRAL
 END BENT #2
 NBL

DRAWN BY: T.J. KIRSCHBAUM DATE: 10/13/14
 CHECKED BY: E.E. DEETSCHRECK DATE: 11/10/14
 DESIGN ENGINEER OF RECORD: R.F. WERTMAN DATE: 11/13/14

PLANS PREPARED BY:
Gannett Fleming
 Excellence Delivered As Promised
 1121 Situs Court
 Suite 170
 Raleigh, NC 27606-4279
 (919) 859-4880
 NCLic. No. F-0270



REVISIONS						SHEET NO. S05-31
NO.	BY:	DATE:	NO.	BY:	DATE:	
1			3			TOTAL SHEETS 35
2			4			