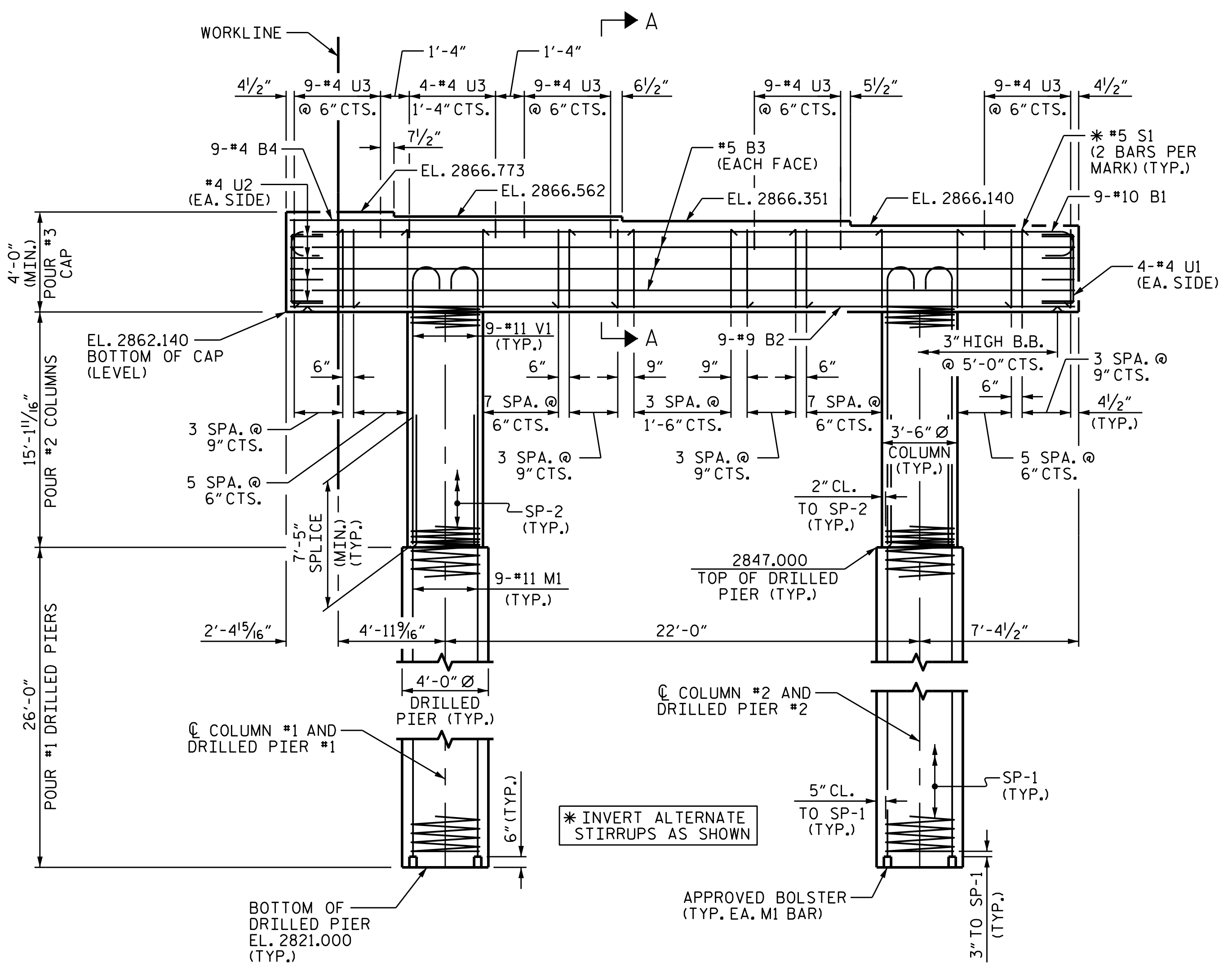
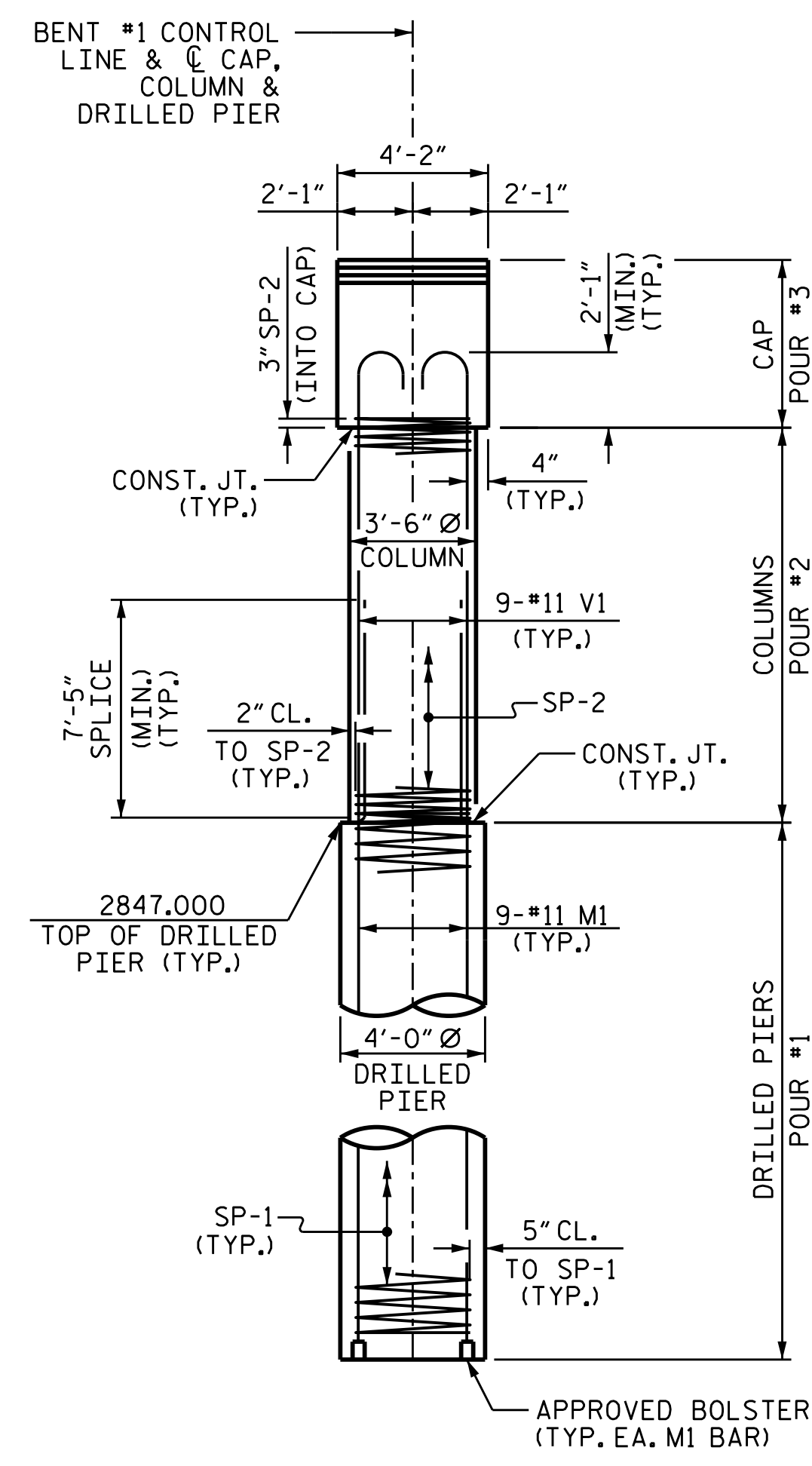


PLAN



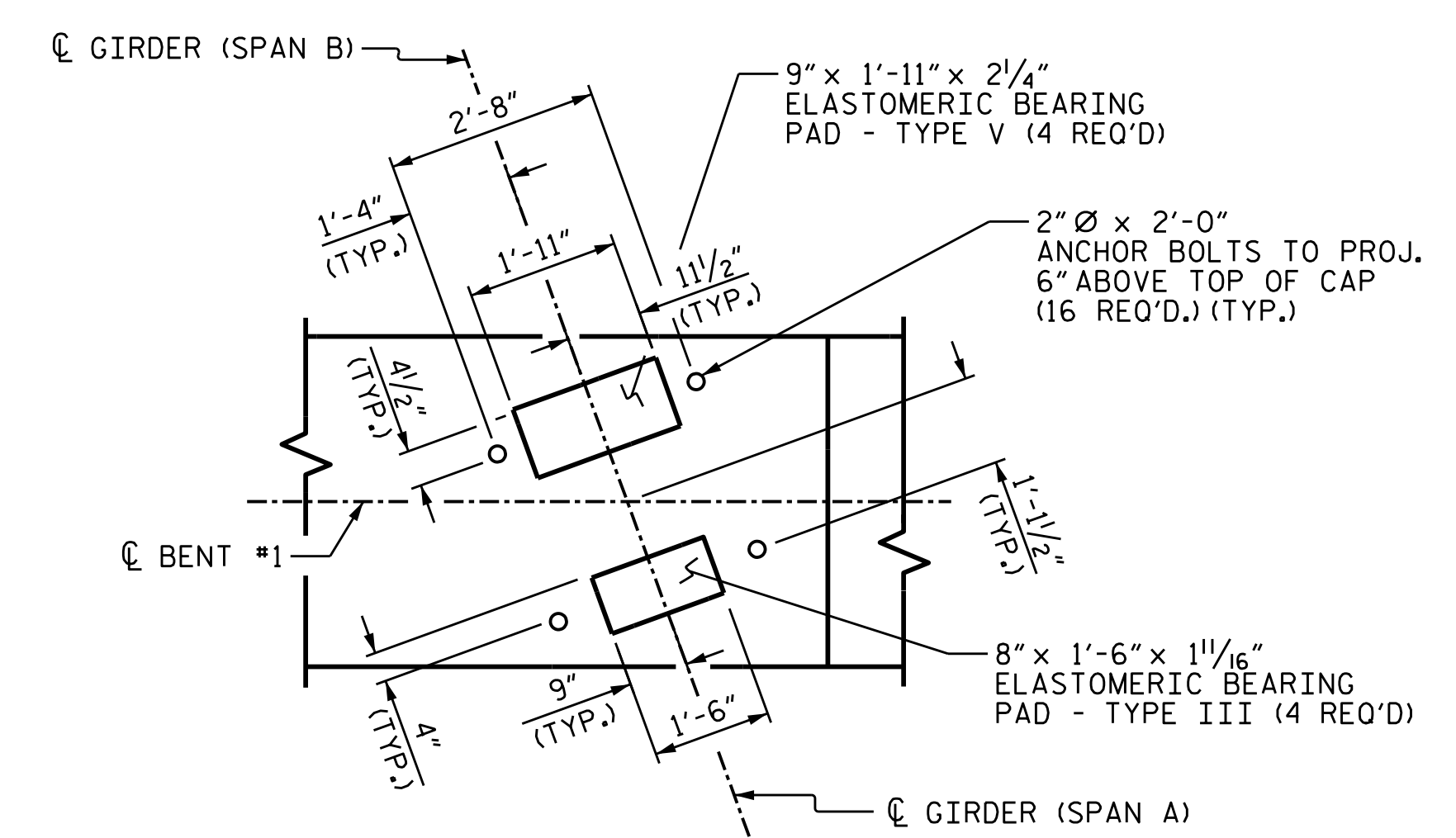
ELEVATION



END ELEVATION

NOTES

- STIRRUPS IN CAP MAY BE SHIFTED AS NECESSARY TO CLEAR ANCHOR BOLTS.
- HOOKS ON V1 BARS MAY BE TURNED AS NECESSARY FOR PLACING REINFORCING STEEL.
- FOR DRILLED PIERS, SEE SECTION 411 OF STANDARD SPECIFICATIONS.
- ALL STEEL IN THE DRILLED PIERS IS INCLUDED IN THE PAY ITEMS FOR "REINFORCING STEEL" AND "SPIRAL COLUMN REINFORCING STEEL".
- THE CONTRACTOR'S ATTENTION IS CALLED TO THE FACT THAT THE LONGITUDINAL REINFORCEMENT FOR THE DRILLED PIERS IS DETAILED WITH 3 FEET OF EXTRA LENGTH.
- THE LOCATION OF THE CONSTRUCTION JOINT IN THE DRILLED PIERS IS BASED ON AN APPROXIMATE GROUND LINE ELEVATION. IF THE CONSTRUCTION JOINT IS ABOVE THE ACTUAL GROUND LINE ELEVATION, THE CONTRACTOR SHALL PLACE THE CONSTRUCTION JOINT 1 FT. BELOW THE GROUND LINE.
- SPLICING OF THE LONGITUDINAL BARS IN THE DRILLED PIER WILL NOT BE PERMITTED.
- FOR PERMANENT STEEL CASING, SEE SECTION 411 OF STANDARD SPECIFICATIONS.



DETAIL "A"  
(TYP. EA. GIRDER)

PROJECT NO. R-2915B  
ASHE COUNTY  
 STATION: 242+67.42 -L-  
 SHEET 1 OF 2

STATE OF NORTH CAROLINA DEPARTMENT OF TRANSPORTATION RALEIGH					
SUBSTRUCTURE BENT #1 NBL					
REVISIONS				SHEET NO. S05-26	
NO.	BY:	DATE:	NO.	BY:	DATE:
1			3		
2			4		
TOTAL SHEETS					35

DRAWN BY : T.J. KIRSCHBAUM DATE : 10/21/14  
 CHECKED BY : R.F. WERTMAN DATE : 11/7/14  
 DESIGN ENGINEER OF RECORD : R.F. WERTMAN DATE : 11/7/14

PLANS PREPARED BY:  
**Gannett Fleming**  
 Excellence Delivered As Promised  
 1121 Situs Court  
 Suite 170  
 Raleigh, NC 27606-4279  
 (919) 859-4880  
 NCLic. No. F-0270

