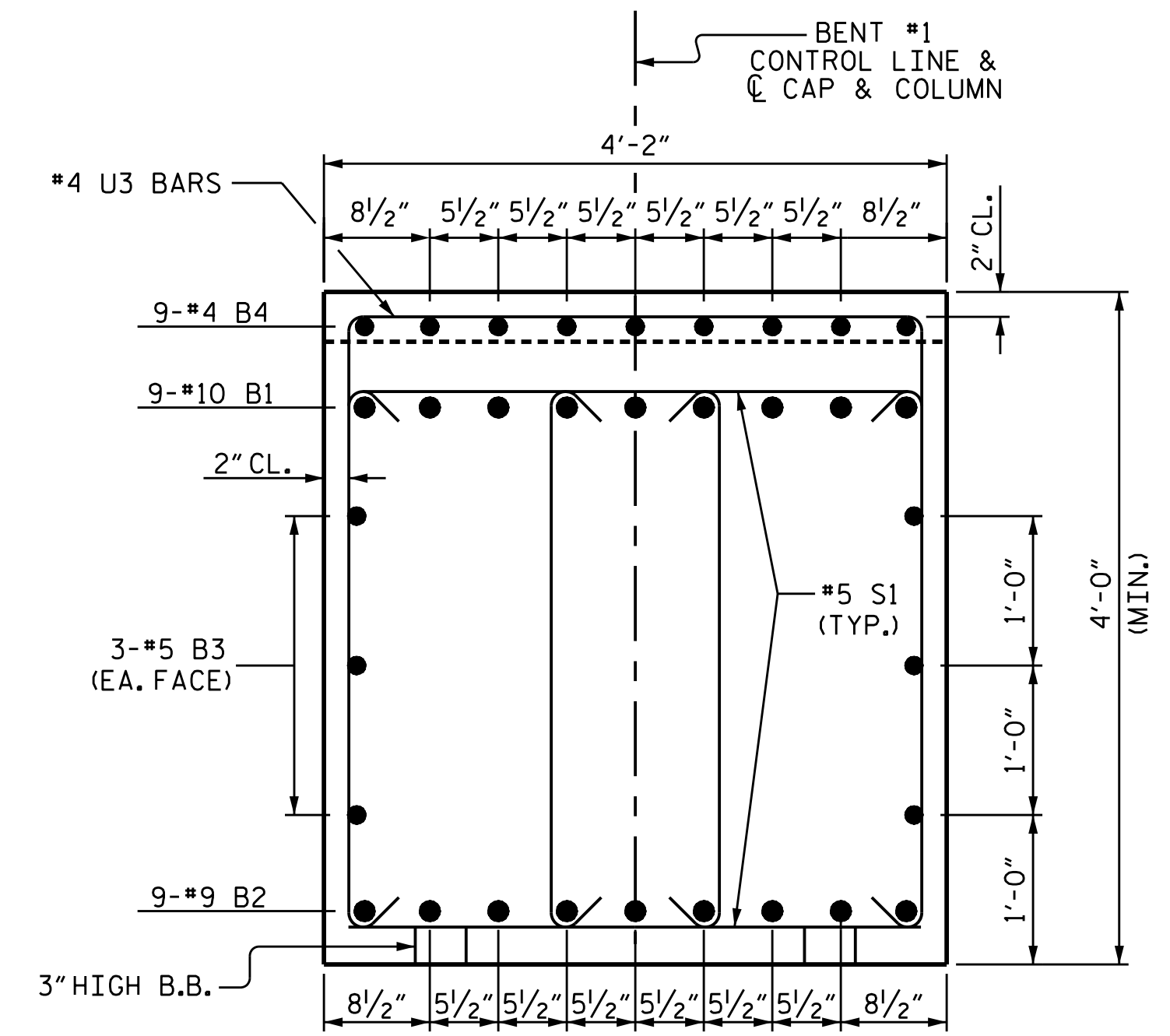
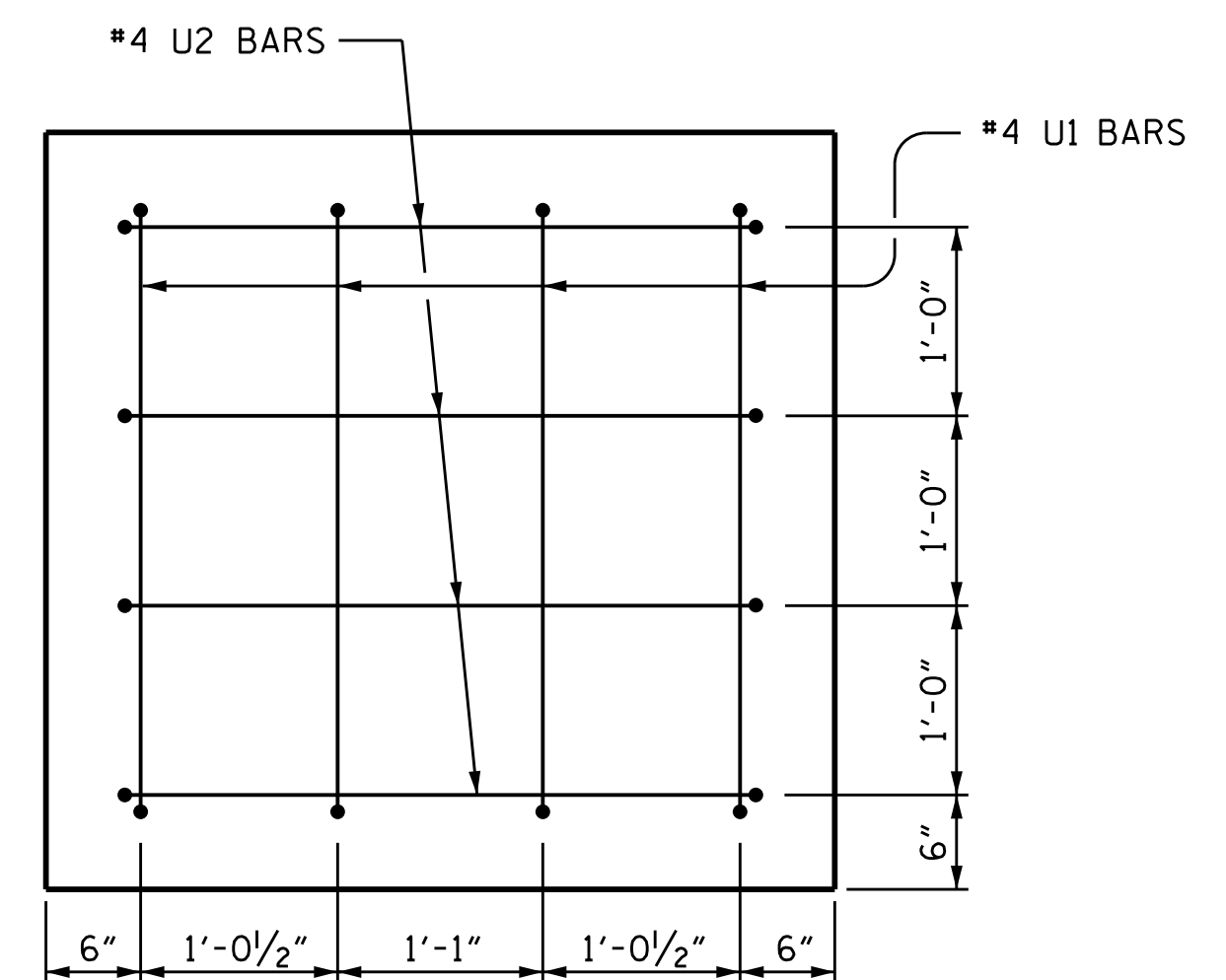


PLAN OF COLUMNS AND DRILLED PIERS

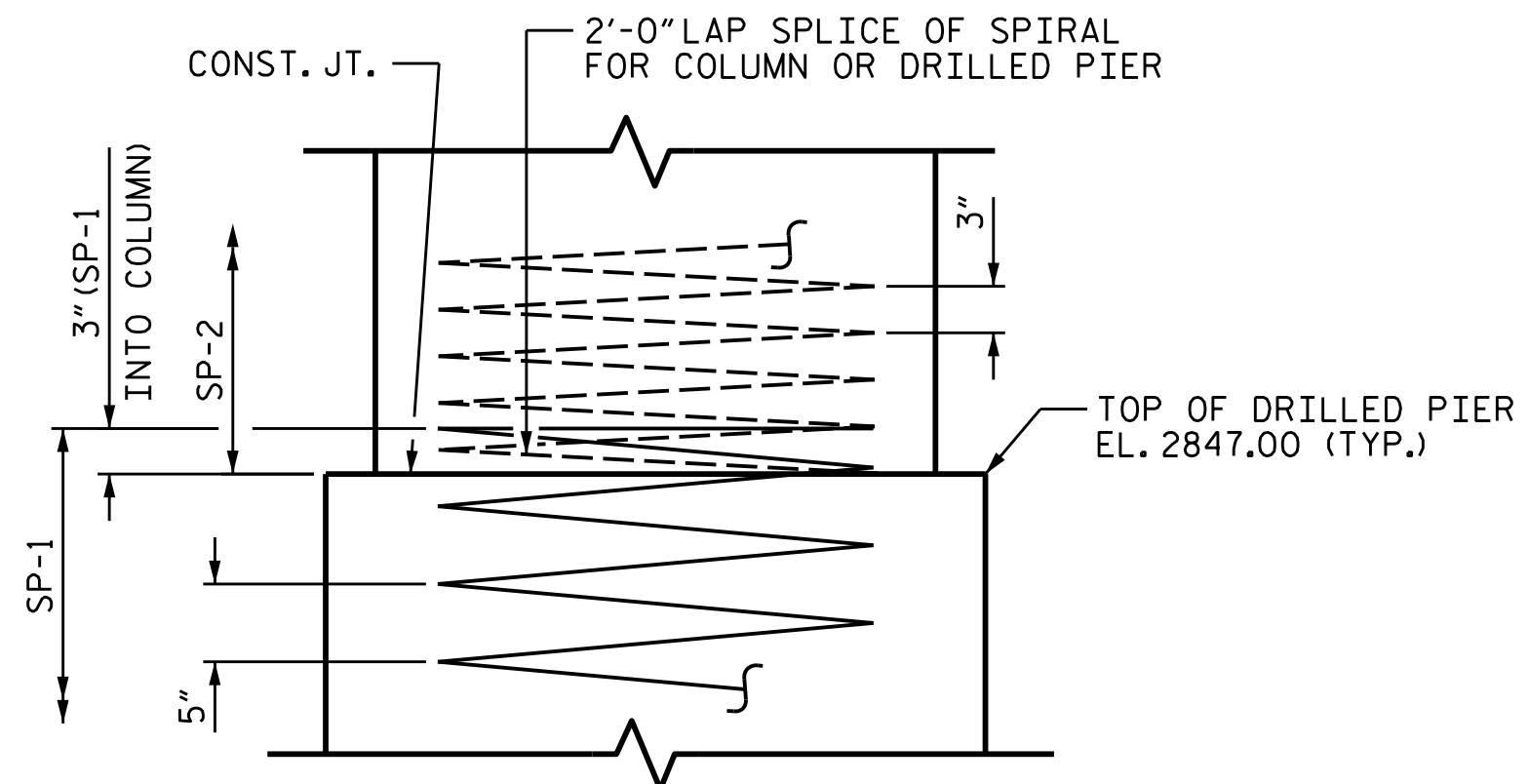
REINFORCING STEEL AND DIMENSIONS ARE TYPICAL FOR ALL COLUMNS AND DRILLED PIERS



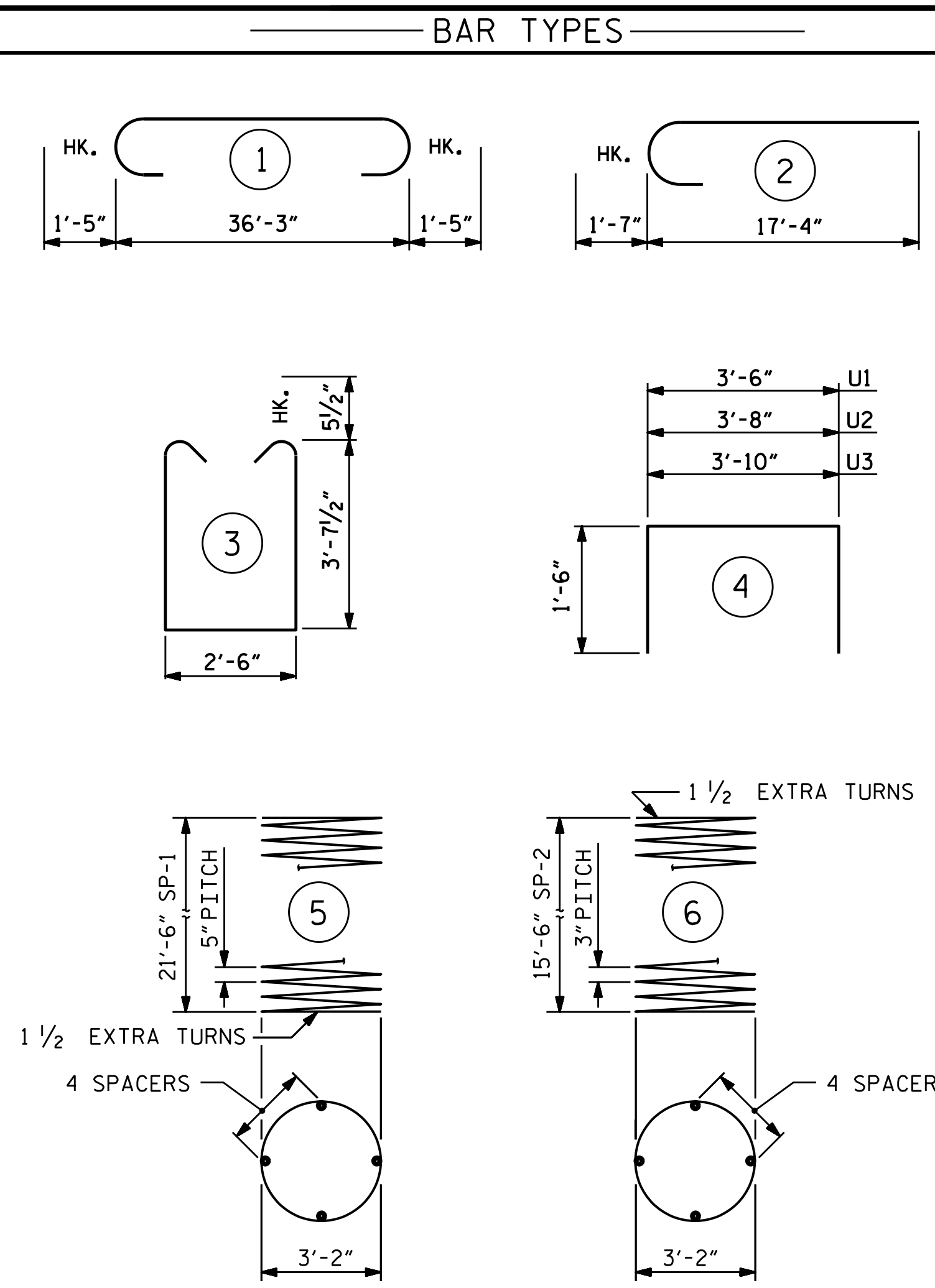
SECTION A-A



END VIEW
(TYP. EA. END)



CONSTRUCTION JOINT DETAIL



ALL BAR DIMENSIONS ARE OUT TO OUT.

** THE SP-1 SPIRAL REINFORCING STEEL SHALL BE W31 OR D-31 COLD DRAWN WIRE OR #5 PLAIN OR DEFORMED BAR.
 *** THE SP-2 SPIRAL REINFORCING STEEL SHALL BE W20 OR D-20 COLD DRAWN WIRE OR #4 PLAIN OR DEFORMED BAR.

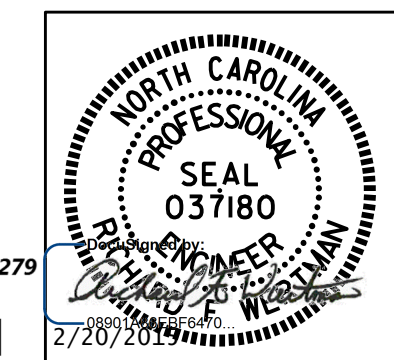
BILL OF MATERIAL

BENT #1						
BAR	NO.	SIZE	TYPE	LENGTH	WEIGHT	
B1	9	#10	1	39'-1"	1514	
B2	9	#9	STR	36'-5"	1114	
B3	6	#5	STR	36'-5"	228	
B4	9	#4	STR	15'-3"	92	
M1	18	#11	STR	32'-2"	3076	
S1	96	#5	3	10'-8"	1068	
U1	8	#4	4	6'-6"	35	
U2	8	#4	4	6'-8"	36	
U3	40	#4	4	6'-10"	183	
V1	18	#11	2	18'-11"	1809	
REINFORCING STEEL					9155	LBS.
SP-1	2	**	5	528'-11"	1103	
SP-2	2	***	6	628'-7"	840	
SPIRAL COLUMN REINFORCING STEEL					1943	LBS.
CLASS A CONCRETE BREAKDOWN						
POUR 2 (COLUMNS)					10.9	C.Y.
POUR 3 (CAPS)					24.1	C.Y.
TOTAL CLASS A CONCRETE					35.0	C.Y.
DRILLED PIER CONCRETE BREAKDOWN						
POUR 1 (DRILLED PIERS)					20.5	C.Y.
4'-0" Ø DRILLED PIER IN SOIL :					12.0	FT.
LINEAR FEET						
4'-0" Ø DRILLED PIER NOT IN SOIL :					32.0	FT.
LINEAR FEET						
PERMANENT STEEL CASING FOR 4'-0" Ø DRILLED PIERS:					16.0	FT.
CSL TUBES:					188.0	FT.

DRAWN BY : T.J. KIRSCHBAUM DATE : 10/21/14
 CHECKED BY : R.F. WERTMAN DATE : 11/7/14
 DESIGN ENGINEER OF RECORD : R.F. WERTMAN DATE : 11/7/14

PLANS PREPARED BY:
Gannett Fleming
 Excellence Delivered As Promised

1121 Sitis Court
 Suite 170
 Raleigh NC 27606-4279
 (919) 859-4880
 N.C. Lic. No. F-0270



PROJECT NO. R-2915B
 ASHE COUNTY
 STATION: 242+67.42 -L-
 SHEET 2 OF 2

REVISIONS						SHEET NO.
NO.	BY:	DATE:	NO.	BY:	DATE:	S04-27
1			3			TOTAL SHEETS
2			4			35