

NOTES

ALL PRESTRESSING STRANDS SHALL BE 7-WIRE LOW-RELAXATION GRADE 270 STRANDS AND SHALL CONFORM TO AASHTO M203 EXCEPT FOR SAMPLING REQUIREMENTS WHICH SHALL BE IN ACCORDANCE WITH THE STANDARD SPECIFICATIONS.

ALL REINFORCING STEEL SHALL BE GRADE 60.

EMBEDDED PLATE "B-1" SHALL BE GALVANIZED IN ACCORDANCE WITH THE STANDARD SPECIFICATIONS.

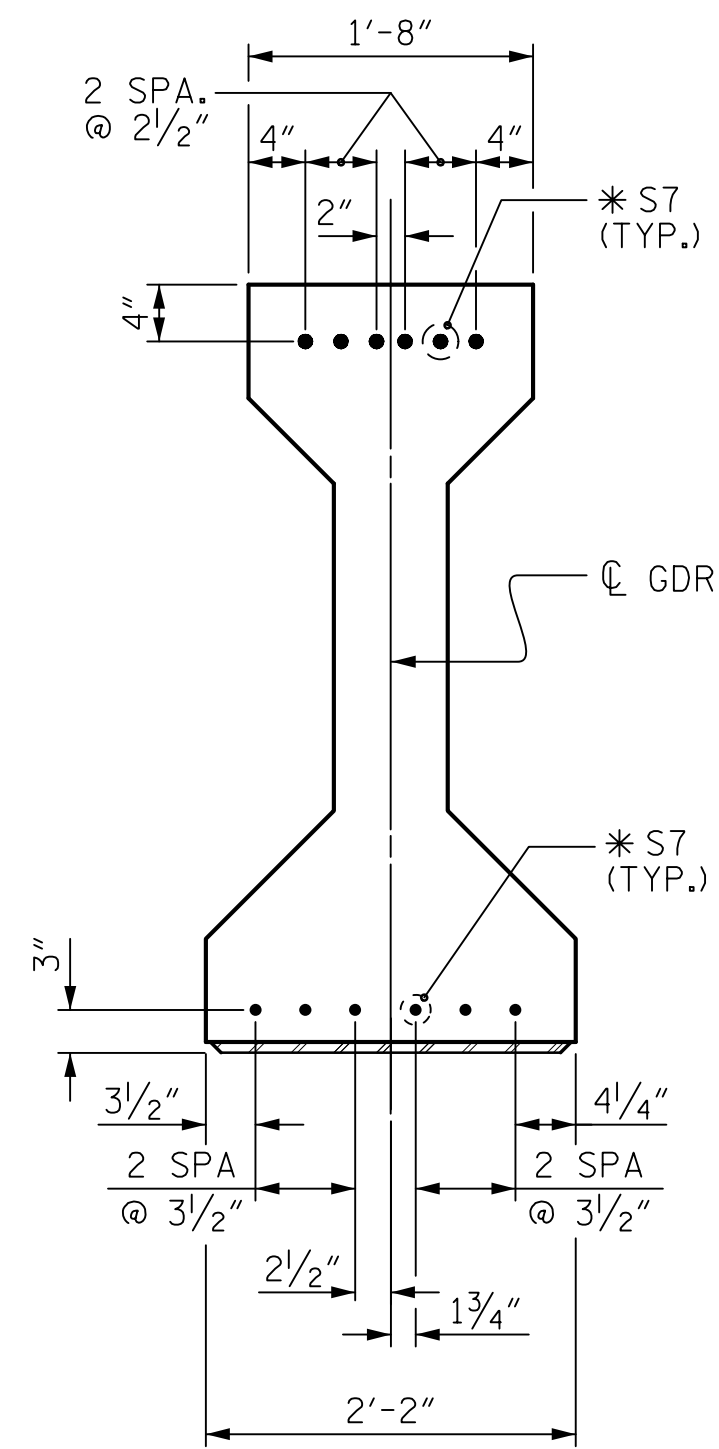
ANCHOR STUDS SHALL CONFORM TO AASHTO M169 GRADES 1010 THROUGH 1020 OR APPROVED EQUAL, AND SHALL MEET THE TYPE "B" REQUIREMENTS OF SUBSECTION 7.3 OF THE ANSI/AASHTO/AWS D1.5 BRIDGE WELDING CODE.

AT ENDS OF GIRDERS TO BE EMBEDDED IN CONCRETE DIAPHRAGMS OR END WALLS, PRESTRESSING STRANDS MAY EXTEND A MAXIMUM OF 2" BEYOND THE GIRDER ENDS. OTHERWISE, PRESTRESSING STRANDS SHALL BE CUT FLUSH WITH THE GIRDER ENDS.

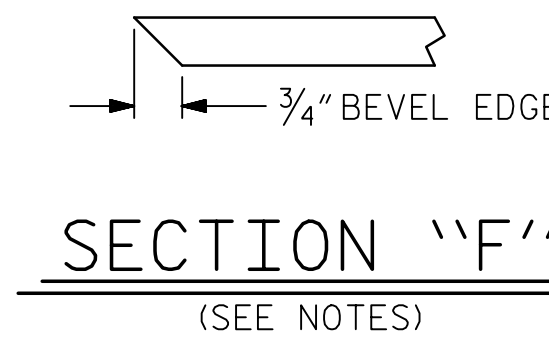
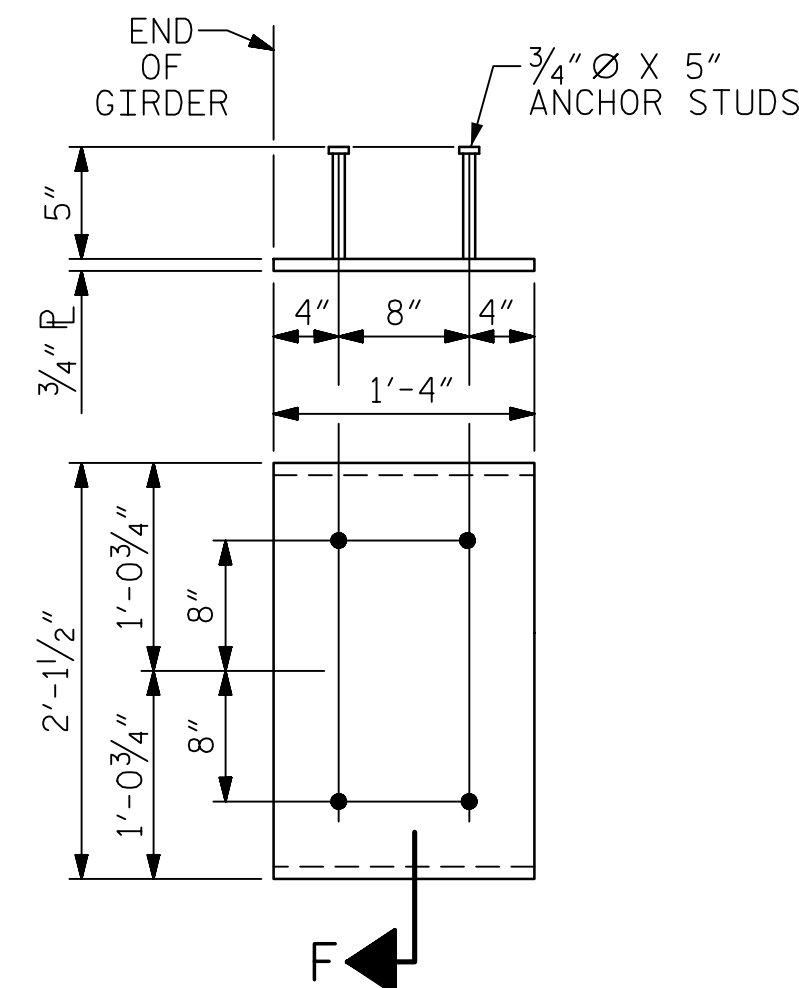
THE TRANSFER OF LOAD FROM THE ANCHORAGES TO THE GIRDER SHALL BE DONE WHEN CONCRETE HAS REACHED A COMPRESSIVE STRENGTH OF NOT LESS THAN 6400 PSI.

DEPENDING ON THE TYPE OF SYSTEM USED TO SUPPORT THE DECK SLAB FORMS, PRESET ANCHORS MAY BE NECESSARY IN THE PRESTRESSED CONCRETE GIRDER.

THE TOP SURFACE OF THE GIRDER, EXCLUDING THE OUTSIDE 4", SHALL BE RAKED TO A DEPTH OF 1/4".



DETAIL "A"
(FOR AASHTO TYPE IV GIRDERS)



EMBEDDED PLATE "B-1" DETAILS
FOR AASHTO TYPE IV GIRDER
(2 REQ'D PER GIRDER)

| DEAD LOAD DEFLECTION TABLE FOR GIRDERS | | | | | | | | | | | | | | | | | | | | | | | |
|--|---------------|---|-------|-------|-------|-------|-------|-------|-------|-------|-------|---------------|---|-------|-------|-------|-------|-------|-------|-------|-------|-------|---|
| 0.6" Ø LOW RELAXATION | SPAN A | | | | | | | | | | | | | | | | | | | | | | |
| | GIRDERS 1 & 4 | | | | | | | | | | | GIRDERS 2 & 3 | | | | | | | | | | | |
| | TENTH POINTS | 0 | .1 | .2 | .3 | .4 | .5 | .6 | .7 | .8 | .9 | 0 | 0 | .1 | .2 | .3 | .4 | .5 | .6 | .7 | .8 | .9 | 0 |
| CAMBER (GIRDER ALONE IN PLACE) | ↑ | 0 | 0.010 | 0.019 | 0.027 | 0.031 | 0.033 | 0.031 | 0.027 | 0.019 | 0.010 | 0 | 0 | 0.010 | 0.019 | 0.027 | 0.031 | 0.033 | 0.031 | 0.027 | 0.019 | 0.010 | 0 |
| * DEFLECTION DUE TO SUPERIMPOSED D.L. | ↓ | 0 | 0.005 | 0.011 | 0.015 | 0.017 | 0.018 | 0.017 | 0.015 | 0.011 | 0.005 | 0 | 0 | 0.006 | 0.012 | 0.016 | 0.019 | 0.020 | 0.019 | 0.016 | 0.012 | 0.006 | 0 |
| FINAL CAMBER | ↑ | 0 | 1/16" | 1/8" | 1/8" | 3/16" | 3/16" | 3/16" | 1/8" | 1/8" | 1/16" | 0 | 0 | 1/16" | 1/16" | 1/8" | 1/8" | 1/8" | 1/8" | 1/8" | 1/16" | 1/16" | 0 |

* INCLUDES FUTURE WEARING SURFACE.
ALL VALUES ARE SHOWN IN FEET (DECIMAL FORM), EXCEPT "FINAL CAMBER", WHICH IS GIVEN IN INCHES (FRACTION FORM).

| DEAD LOAD DEFLECTION TABLE FOR GIRDERS | | | | | | | | | | | | | | | | | | | | | | | |
|--|---------------|---|-------|-------|-------|-------|-------|-------|-------|-------|-------|---------------|---|-------|-------|-------|-------|-------|-------|-------|-------|-------|---|
| 0.6" Ø LOW RELAXATION | SPANS B & C | | | | | | | | | | | | | | | | | | | | | | |
| | GIRDERS 1 & 4 | | | | | | | | | | | GIRDERS 2 & 3 | | | | | | | | | | | |
| | TENTH POINTS | 0 | .1 | .2 | .3 | .4 | .5 | .6 | .7 | .8 | .9 | 0 | 0 | .1 | .2 | .3 | .4 | .5 | .6 | .7 | .8 | .9 | 0 |
| CAMBER (GIRDER ALONE IN PLACE) | ↑ | 0 | 0.062 | 0.118 | 0.162 | 0.189 | 0.199 | 0.189 | 0.162 | 0.118 | 0.062 | 0 | 0 | 0.062 | 0.118 | 0.162 | 0.189 | 0.199 | 0.189 | 0.162 | 0.118 | 0.062 | 0 |
| * DEFLECTION DUE TO SUPERIMPOSED D.L. | ↓ | 0 | 0.050 | 0.098 | 0.135 | 0.159 | 0.167 | 0.159 | 0.135 | 0.098 | 0.050 | 0 | 0 | 0.055 | 0.108 | 0.149 | 0.175 | 0.184 | 0.175 | 0.149 | 0.108 | 0.055 | 0 |
| FINAL CAMBER | ↑ | 0 | 1/8" | 1/4" | 5/16" | 3/8" | 3/8" | 3/8" | 5/16" | 1/4" | 1/8" | 0 | 0 | 1/16" | 1/8" | 3/16" | 3/16" | 3/16" | 3/16" | 3/16" | 1/8" | 1/16" | 0 |

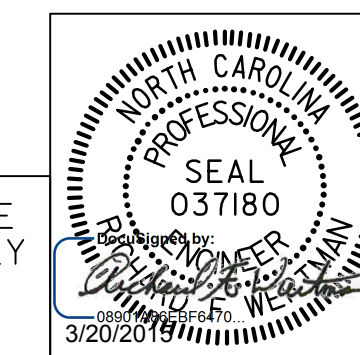
* INCLUDES FUTURE WEARING SURFACE.
ALL VALUES ARE SHOWN IN FEET (DECIMAL FORM), EXCEPT "FINAL CAMBER", WHICH IS GIVEN IN INCHES (FRACTION FORM).

PROJECT NO. R-2915B
ASHE COUNTY
STATION: 242+67.42 -L-

SHEET 4 OF 4

STATE OF NORTH CAROLINA
DEPARTMENT OF TRANSPORTATION
RALEIGH
STANDARD
PRESTRESSED CONCRETE GIRDER
CONTINUOUS FOR LIVE LOAD
DETAILS
SBL

| REVISIONS | | | | | | SHEET NO. |
|-----------|-----|-------|-----|-----|-------|-----------------|
| NO. | BY: | DATE: | NO. | BY: | DATE: | S04-17 |
| 1 | | | 3 | | | TOTAL SHEETS 35 |
| 2 | | | 4 | | | |



PLANS PREPARED BY:
Gannett Fleming
Excellence Delivered As Promised
1121 Situs Court
Suite 170
Raleigh NC 27606-4279
(919) 859-4880
NC Lic. No. F-0270

THESE PLANS HAVE BEEN PROPERLY EXAMINED BY THE UNDERSIGNED. I HAVE DETERMINED THAT THEY COMPLY WITH EXISTING NORTH CAROLINA CODES, AND HAVE BEEN PROPERLY ADAPTED FOR USE IN THIS AREA.

ASSEMBLED BY : T.J. KIRSCHBAUM DATE : 4/26/14
CHECKED BY : R.F. WERTMAN DATE : 8/16/14
DRAWN BY : ELR 11/91 REV. 5/1/06 TLA/GM
CHECKED BY : GRP 11/91 REV. 10/1/11 MAA/GM
REV. 1/15 MAA/TMG

STR. NO. 4

STD. NO. PCG9