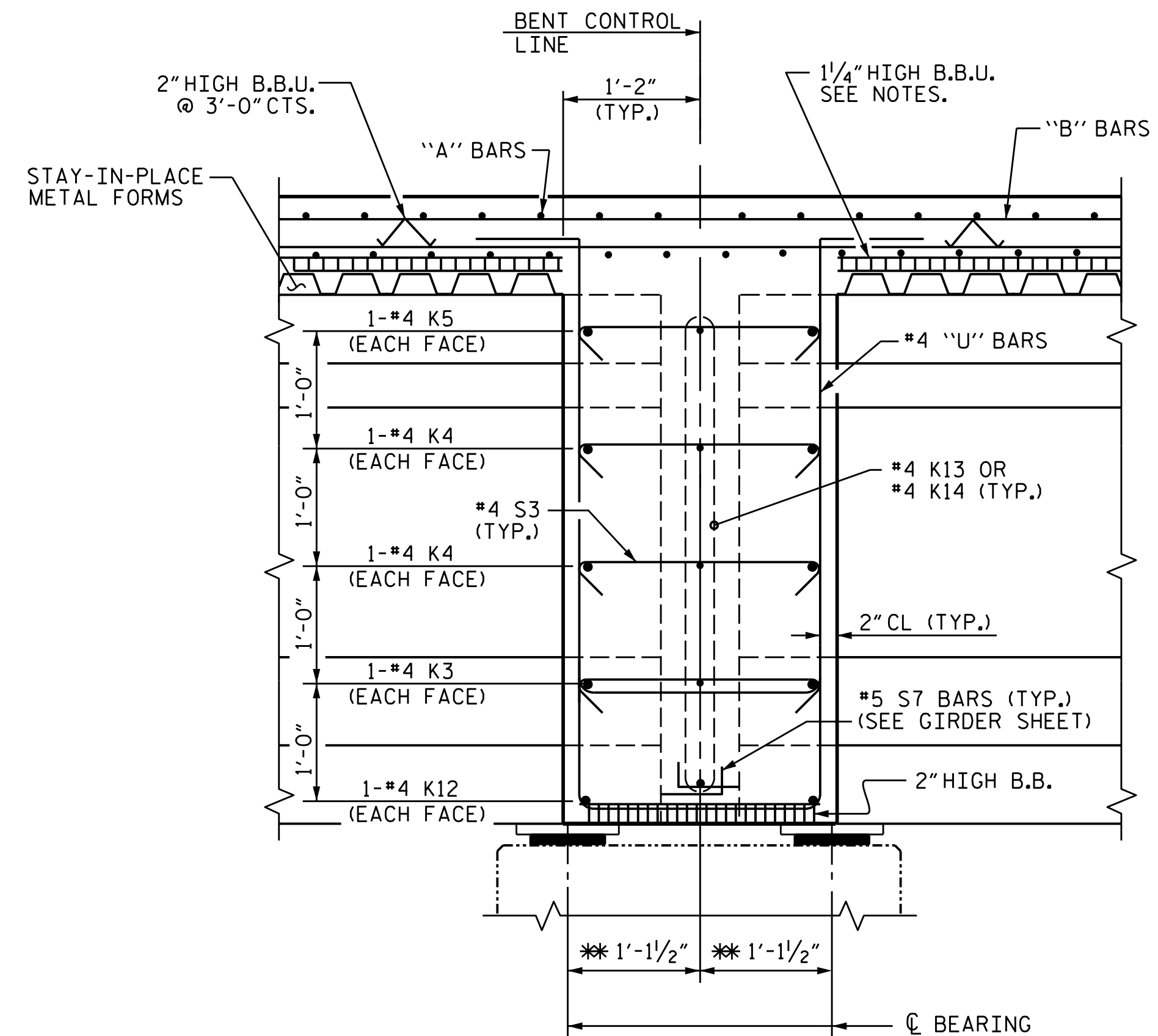
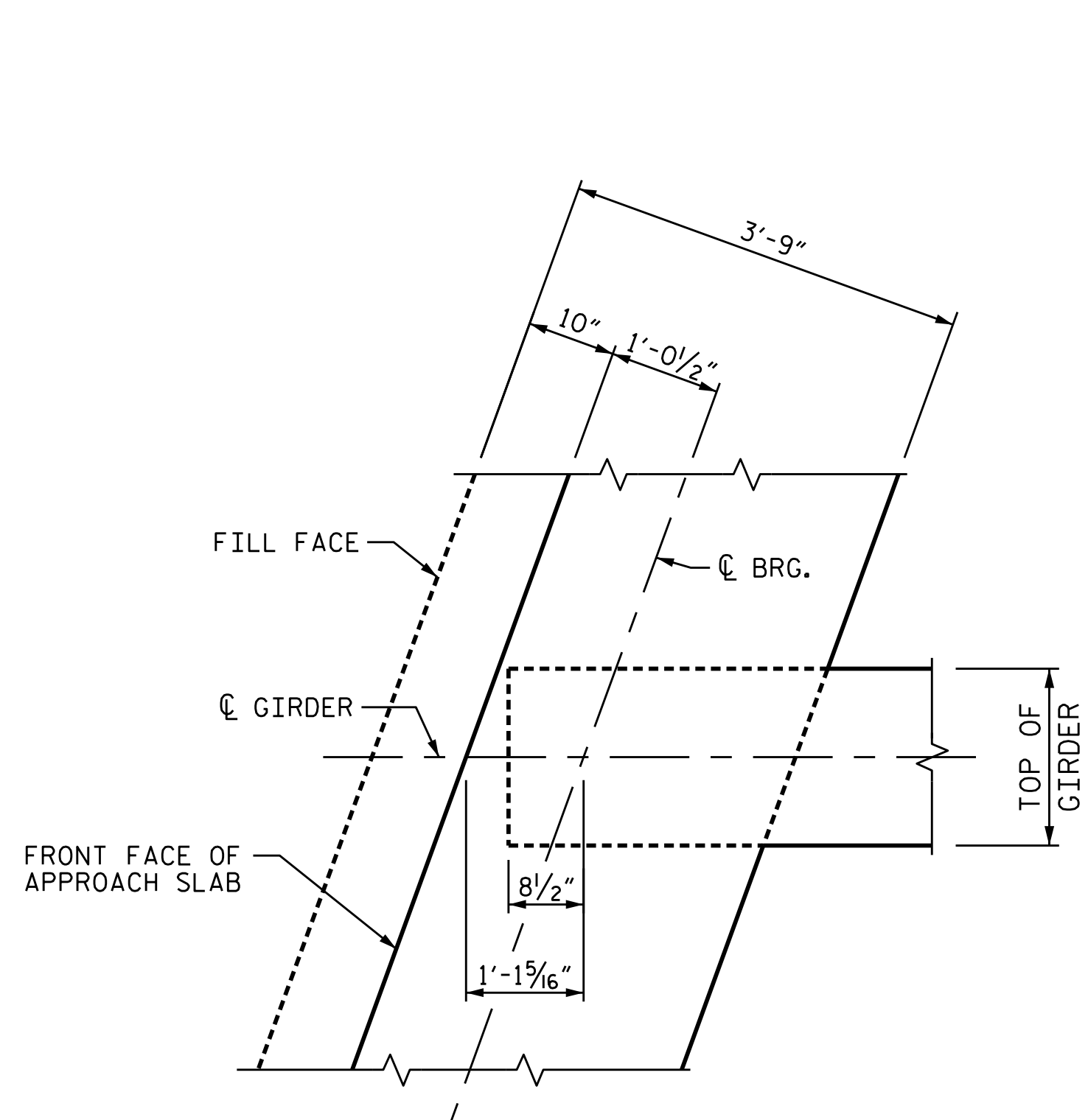


SECTION AT INTEGRAL END BENT

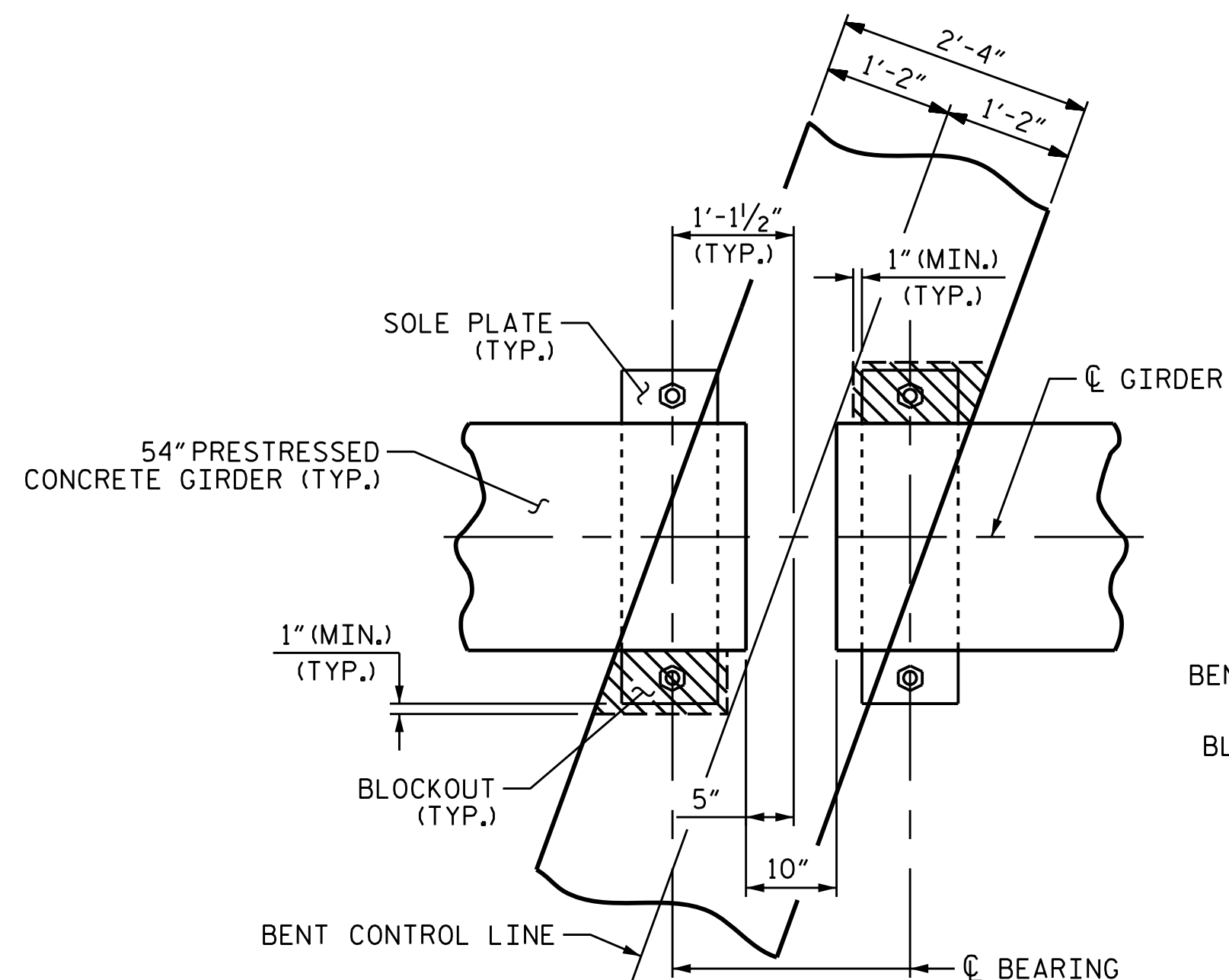


SECTION AT BENT DIAPHRAGM

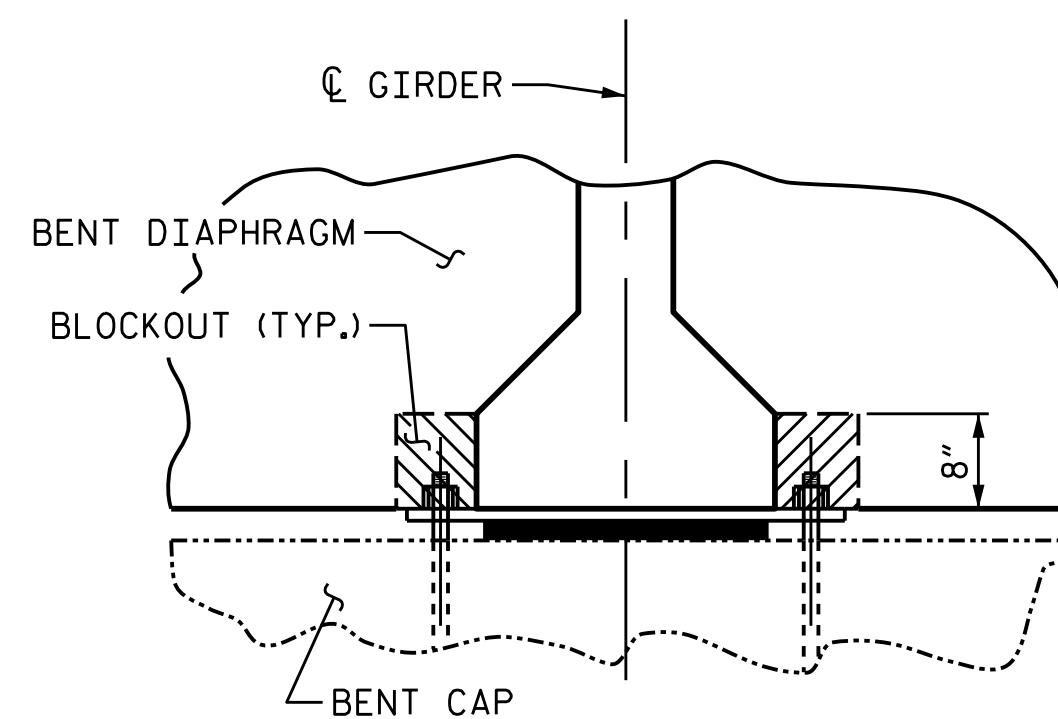
** MEASURED ALONG \bar{C} GIRDER



END BENT DIAPHRAGM



PLAN



SECTION

BENT DIAPHRAGM BLOCK-OUT DETAIL

PROJECT NO. R-2915B

ASHE COUNTY

STATION: 242+67.42 -L-

SHEET 2 OF 2

STATE OF NORTH CAROLINA
DEPARTMENT OF TRANSPORTATION
RALEIGH
SUPERSTRUCTURE
TYPICAL SECTION
DETAILS
SBL

REVISIONS						SHEET NO.
NO.	BY:	DATE:	NO.	BY:	DATE:	TOTAL SHEETS
1			3			35
2			4			

DRAWN BY : T.J. KIRSCHBAUM DATE : 4/14/14
 CHECKED BY : R.F. WERTMAN DATE : 8/12/14
 DESIGN ENGINEER OF RECORD : R.F. WERTMAN DATE : 10/3/14

PLANS PREPARED BY:
Gannett Fleming
 Excellence Delivered As Promised

1121 Situs Court
 Suite 170
 Raleigh NC 27606-4279
 (919) 859-4880
 NCLic. No. F-0270

