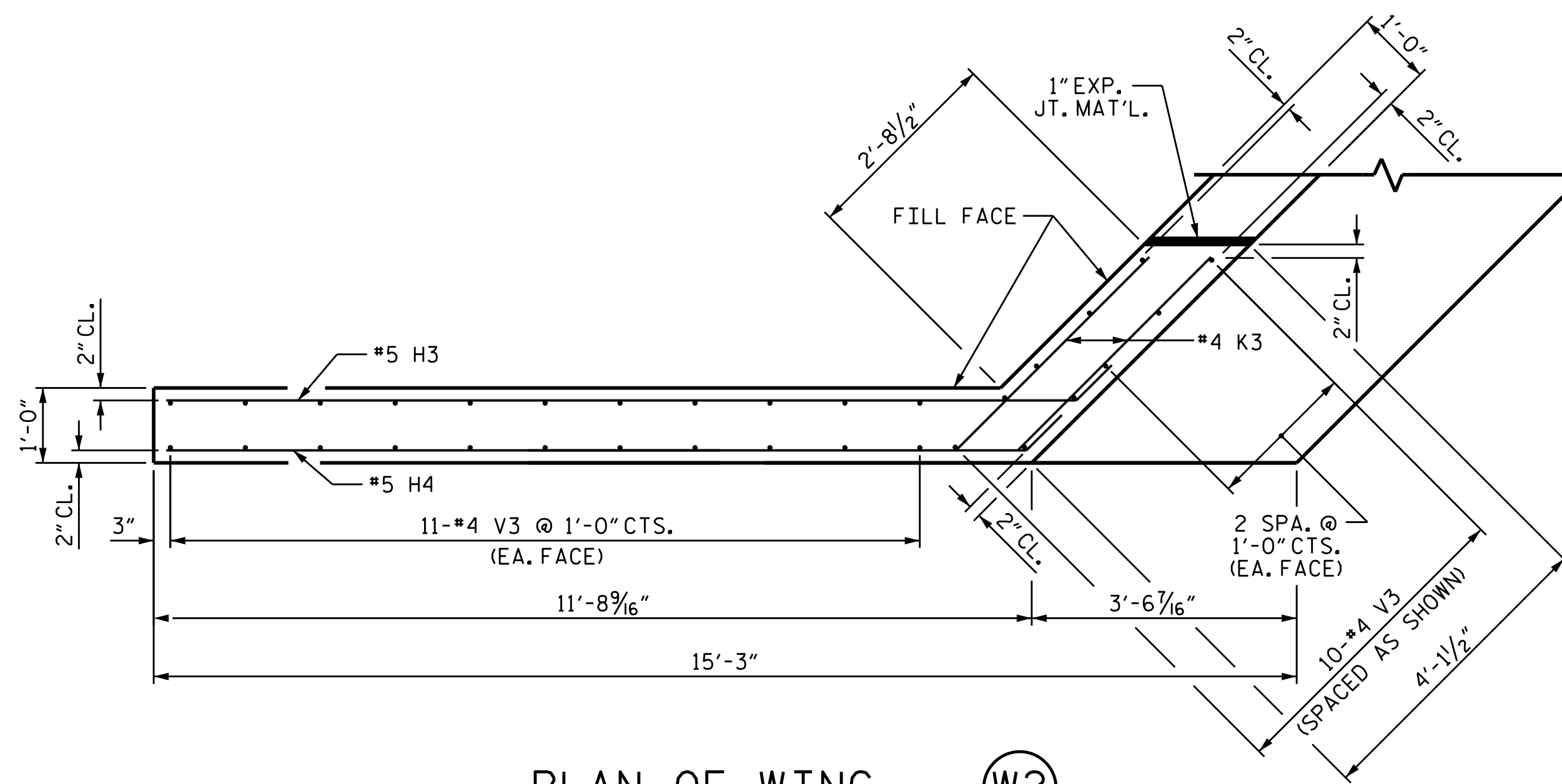
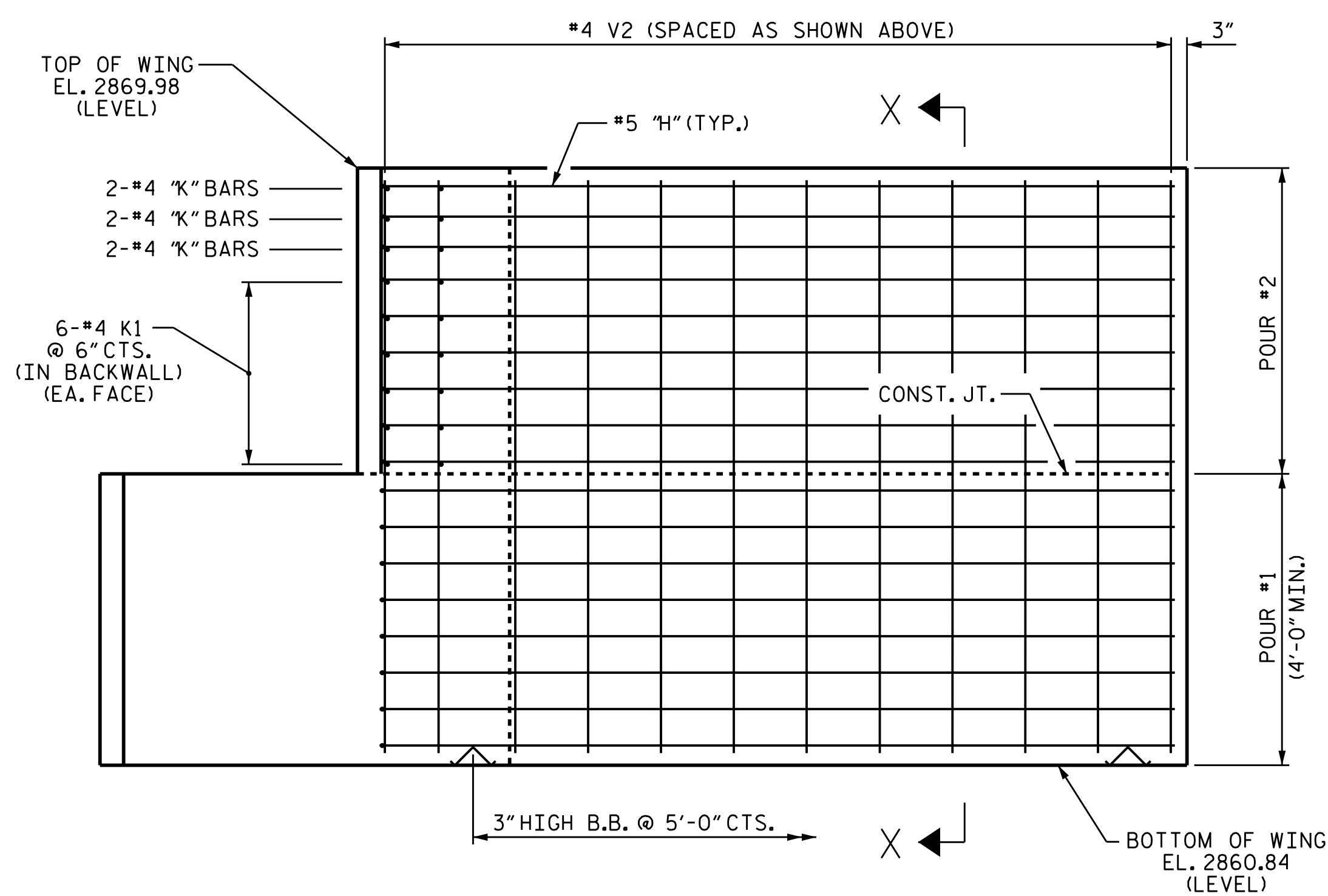


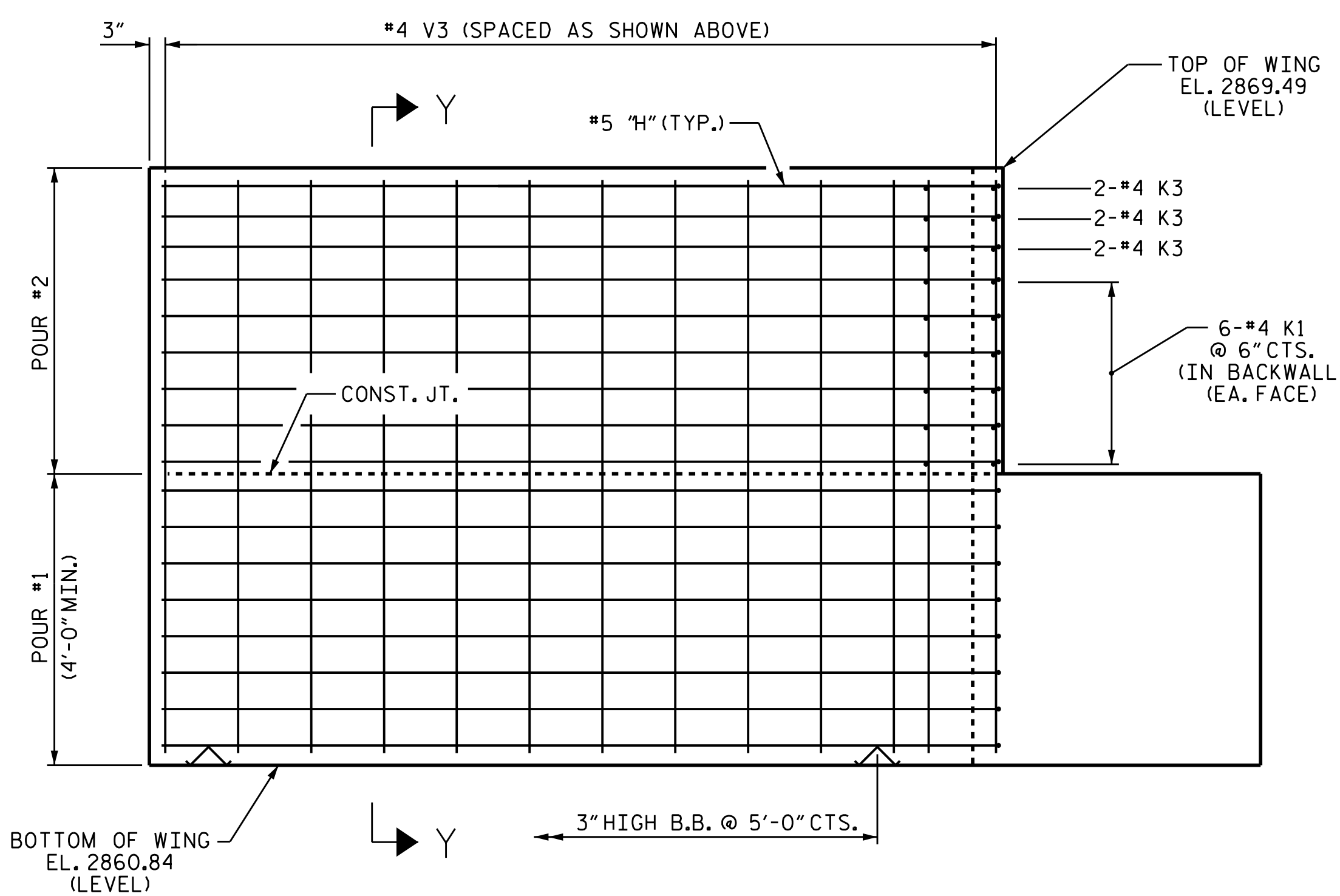
PLAN OF WING (W1)



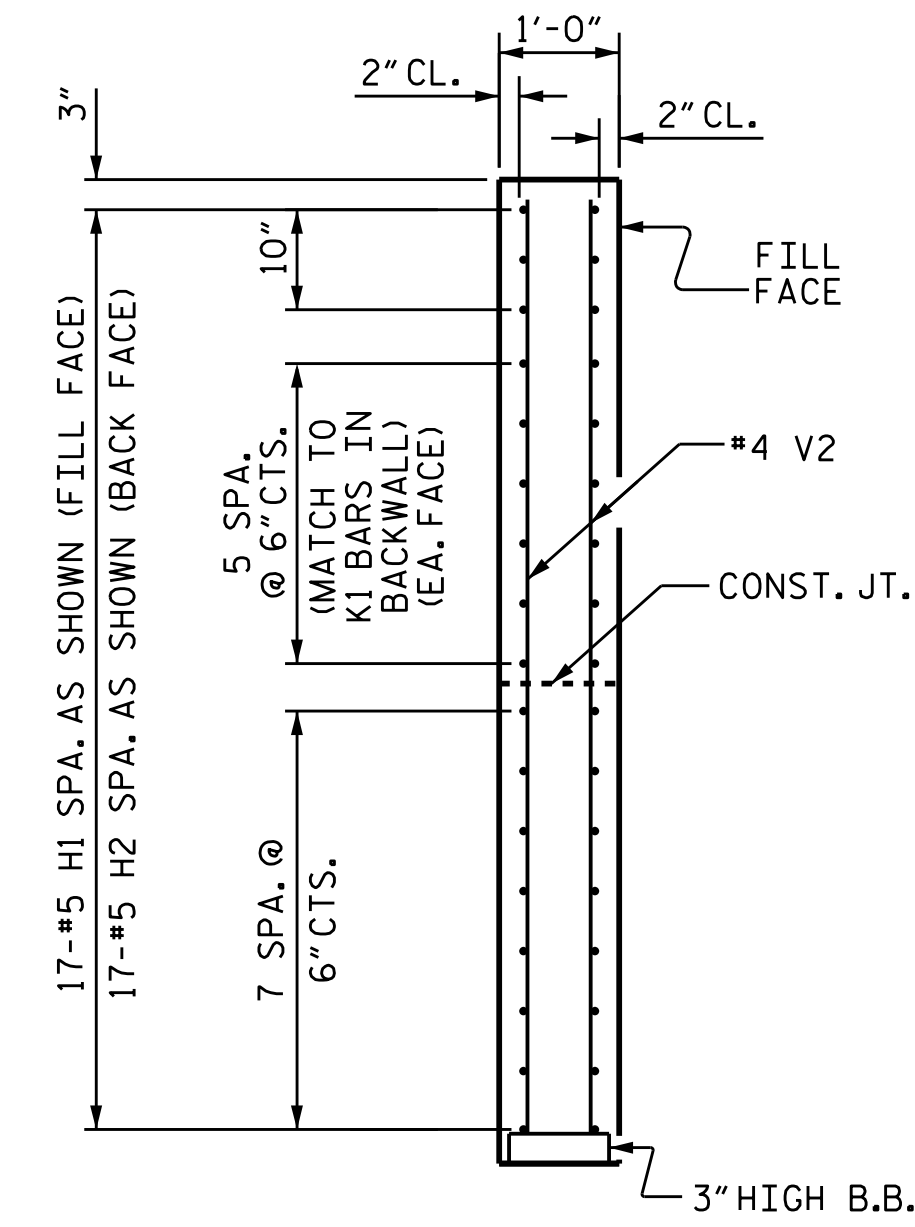
PLAN OF WING (W2)



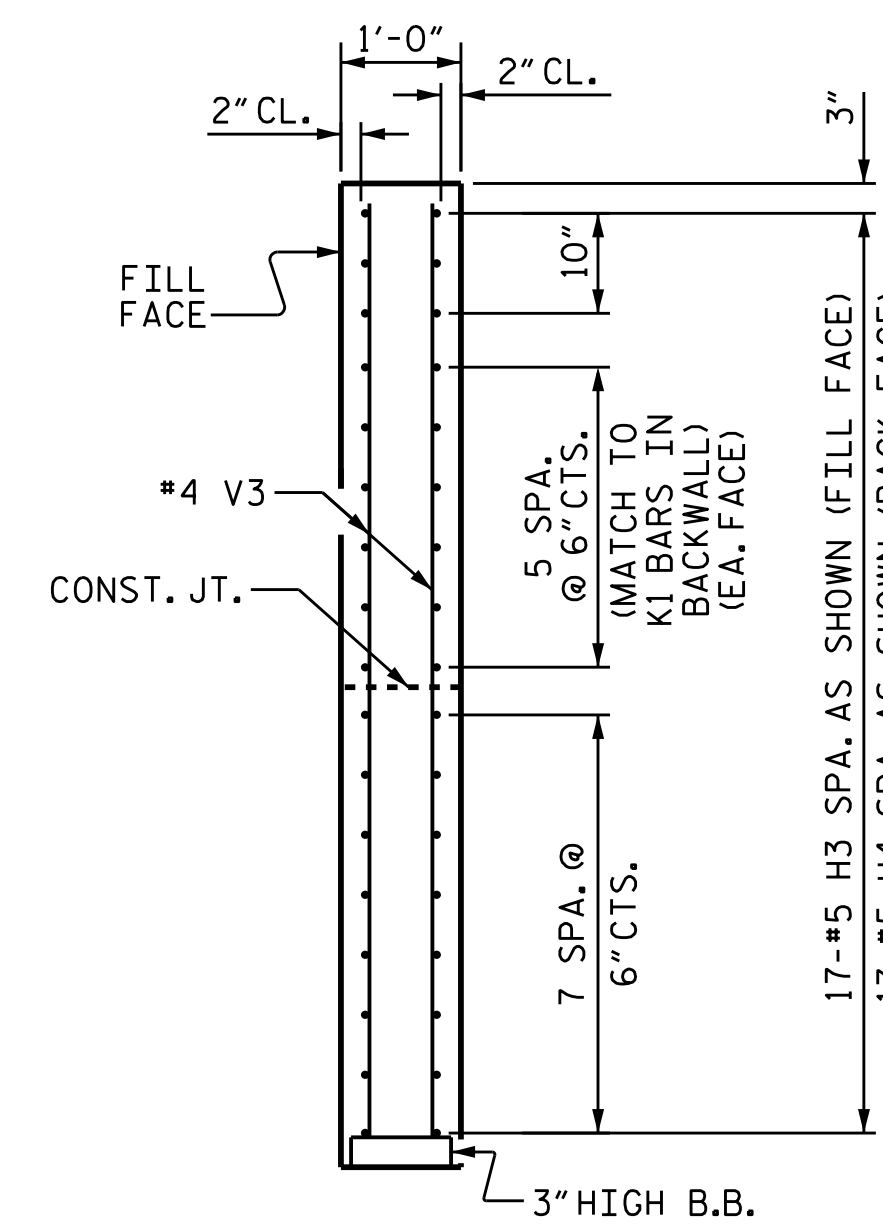
ELEVATION OF WING (W1)



ELEVATION OF WING (W2)



SECTION X-X



SECTION Y-Y

PROJECT NO. R-2915B
 ASHE COUNTY
 STATION: 234+19.20 -L-

SHEET 2 OF 3

STATE OF NORTH CAROLINA
 DEPARTMENT OF TRANSPORTATION
 RALEIGH

SUBSTRUCTURE
 END BENT #1
 NBL

REVISIONS

NO.	BY:	DATE:	NO.	BY:	DATE:
1			3		
2			4		

SHEET NO.
 S03-21
 TOTAL SHEETS
 30

DRAWN BY : T.J. KIRSCHBAUM DATE : 08/28/14
 CHECKED BY : E.E. DEETSCREEK DATE : 09/03/14
 DESIGN ENGINEER OF RECORD : R.F. WERTMAN DATE : 09/04/14

PLANS PREPARED BY:
Gannett Fleming
 Excellence Delivered As Promised
 1121 Situs Court
 Suite 170
 Raleigh NC 27606-4279
 (919) 859-4880
 NCLic. No. F-0270

