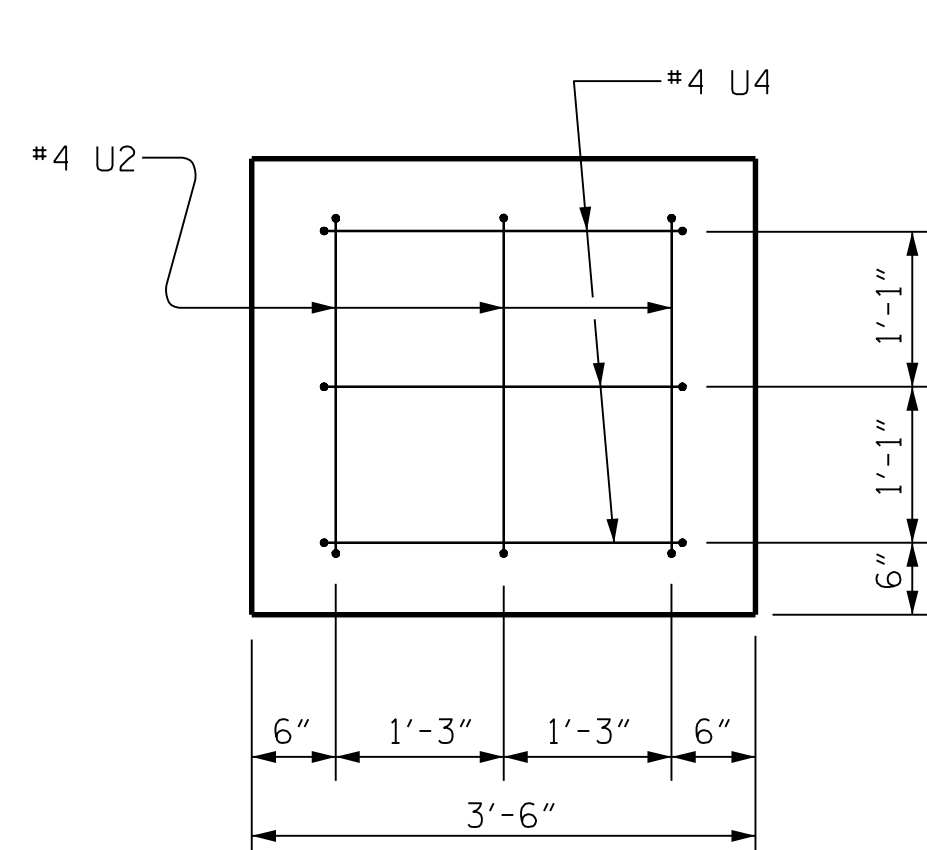
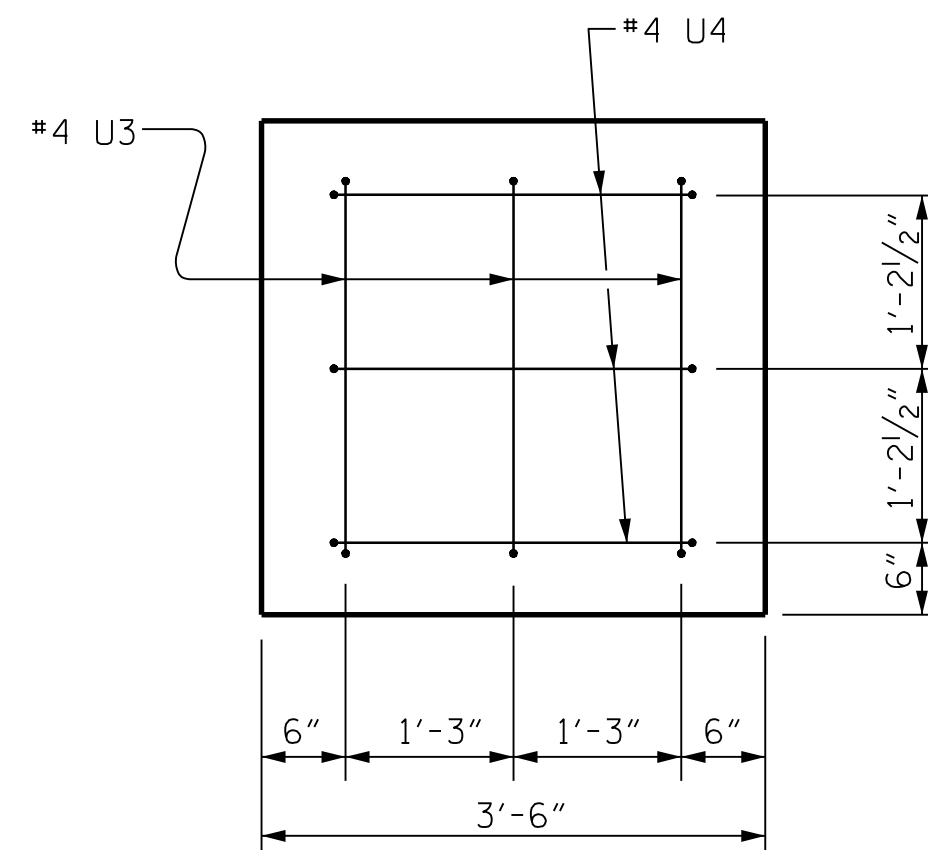


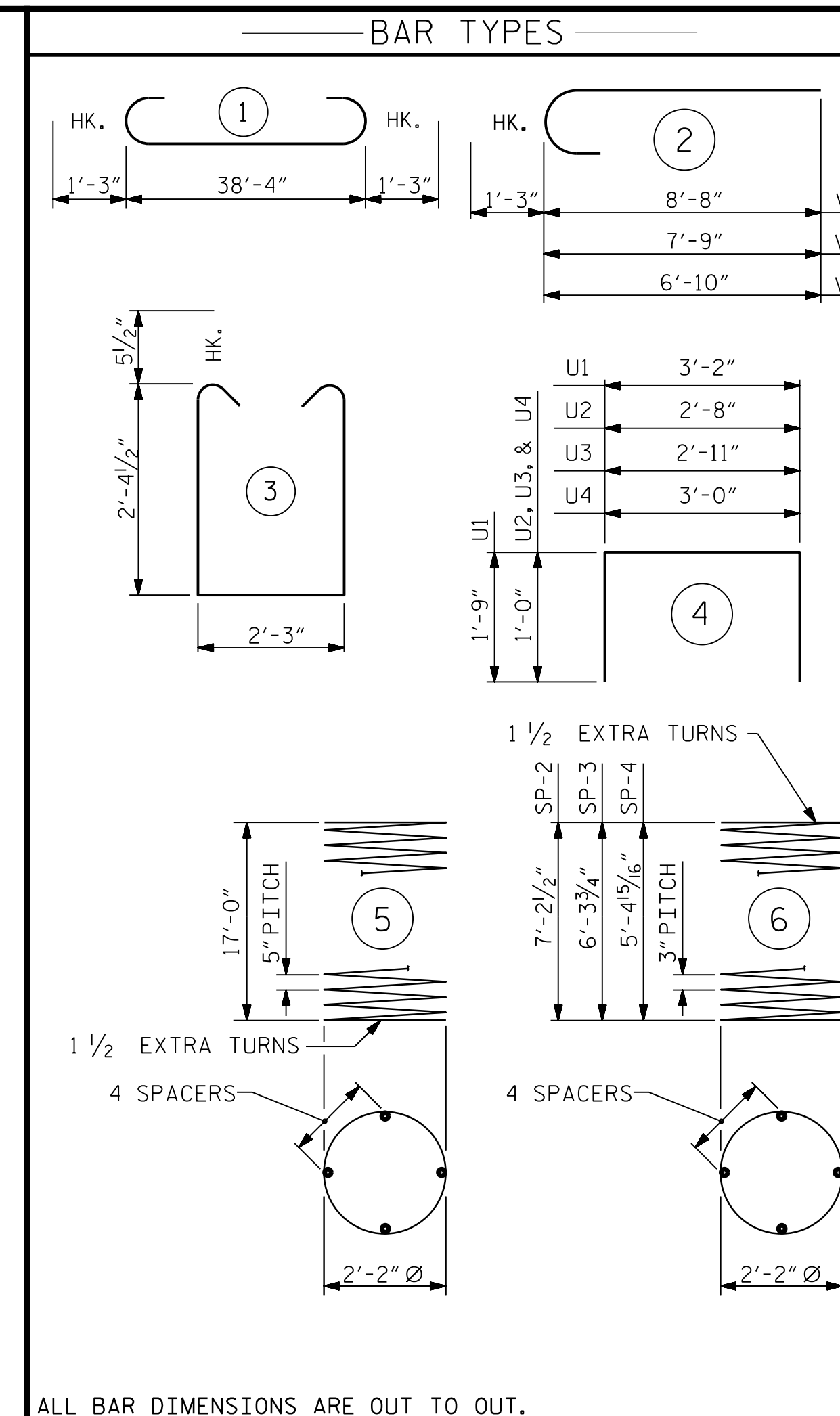
SECTION A-A



VIEW X-X

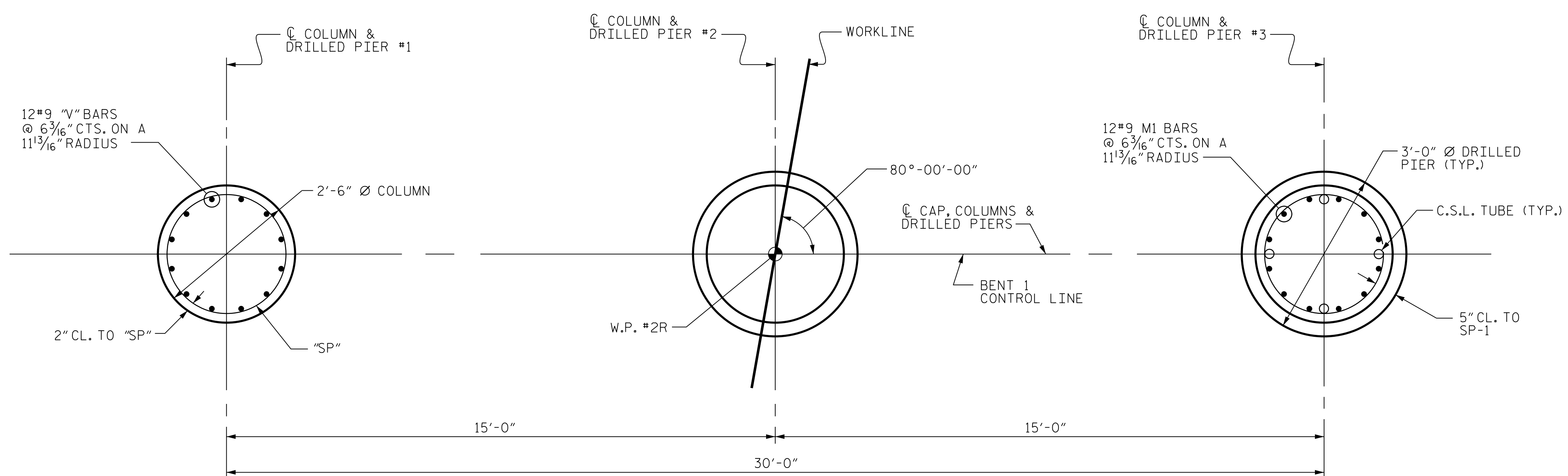


VIEW Y-Y



ALL BAR DIMENSIONS ARE OUT TO OUT.

BILL OF MATERIAL					
BENT 1					
BAR NO.	SIZE	TYPE	LENGTH	WEIGHT	
B1	#9	1	40'-10"	972	
B2	#9	STR	38'-4"	912	
B3	#5	STR	38'-4"	240	
B4	#4	STR	9'-11"	139	
B5	#4	STR	3'-10"	18	
M1	#9	STR	24'-9"	3029	
S1	#5	3	7'-11"	1057	
U1	#4	4	6'-8"	160	
U2	#4	4	4'-8"	9	
U3	#4	4	4'-11"	10	
U4	#4	4	5'-0"	20	
V1	#9	2	9'-11"	405	
V2	#9	2	9'-0"	367	
V3	#9	2	8'-1"	330	
REINFORCING STEEL					7668 LBS.
SP-1	#5	5	281'-7"	881	
SP-2	#5	6	202'-11"	136	
SP-3	#5	6	178'-9"	119	
SP-4	#5	6	154'-9"	103	
SPIRAL COLUMN REINFORCING STEEL					1239 LBS.
* THE SP-1 SPIRAL REINFORCING STEEL SHALL BE W31 OR D-31 COLD DRAWN WIRE OR #5 PLAIN OR DEFORMED BAR					
* THE SP-2, SP-3, AND SP-4 SPIRAL REINFORCING STEEL SHALL BE W20 OR D-20 COLD DRAWN WIRE OR #4 PLAIN OR DEFORMED BAR					
CLASS A CONCRETE BREAKDOWN					
POUR #2 (COLUMNS)					3.3 CU. YD.
POUR #3 (CAP)					15.6 CU. YD.
TOTAL CLASS A CONCRETE					18.9 CU. YD.
DRILLED PIERS					
POUR #1 (DRILLED PIERS)					13.7 CU. YD.
3'-0" Ø DRILLED PIERS IN SOIL					21.5 LIN. FT.
NOT IN SOIL					31.0 LIN. FT.
CSL TUBES					228 LIN. FT.
PERMANENT STEEL CASING					28.5 LIN. FT.



COLUMN REINFORCEMENT

DRILLED PIER REINFORCEMENT

PLAN OF DRILLED PIERS & COLUMNS
(REINFORCING STEEL IS TYPICAL FOR EACH COLUMN & DRILLED PIER)

PROJECT NO. R-2915B
 ASHE COUNTY
 STATION: 198+64.50 -L-
 SHEET 2 OF 2

STATE OF NORTH CAROLINA
 DEPARTMENT OF TRANSPORTATION
 RALEIGH
 SUBSTRUCTURE
 BENT 1
 (NBL)

CDM Smith
 CDM SMITH
 5400 Glenwood Avenue, Suite 400
 Raleigh, NC 27612-3228
 NC COA No. F-1255

DRAWN BY: B. WADSWORTH DATE: 06-15 DWG. No.
 CHECKED BY: J. TAYLOR DATE: 06-15
 DESIGN ENGINEER: J. TAYLOR DATE: 06-15



REVISIONS				SHEET No.
No.	BY:	DATE:	No.	DATE:
1			3	
2			4	

TOTAL SHEETS: 34

FILE: R:\med\192915B Structures\PLANS\bridge 2 NBL\192915B_SD_B1_02.dwg
 DATE: 8/10/2015 7:04:26 AM