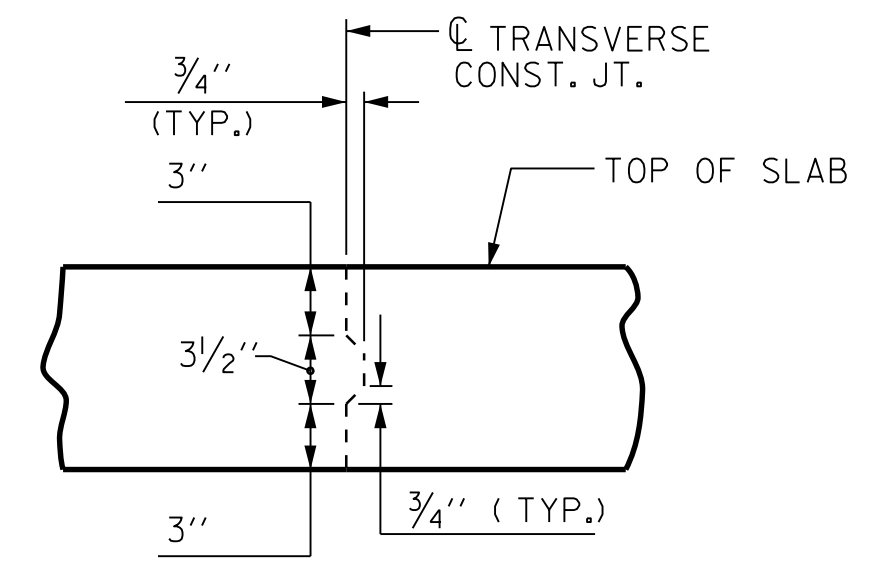


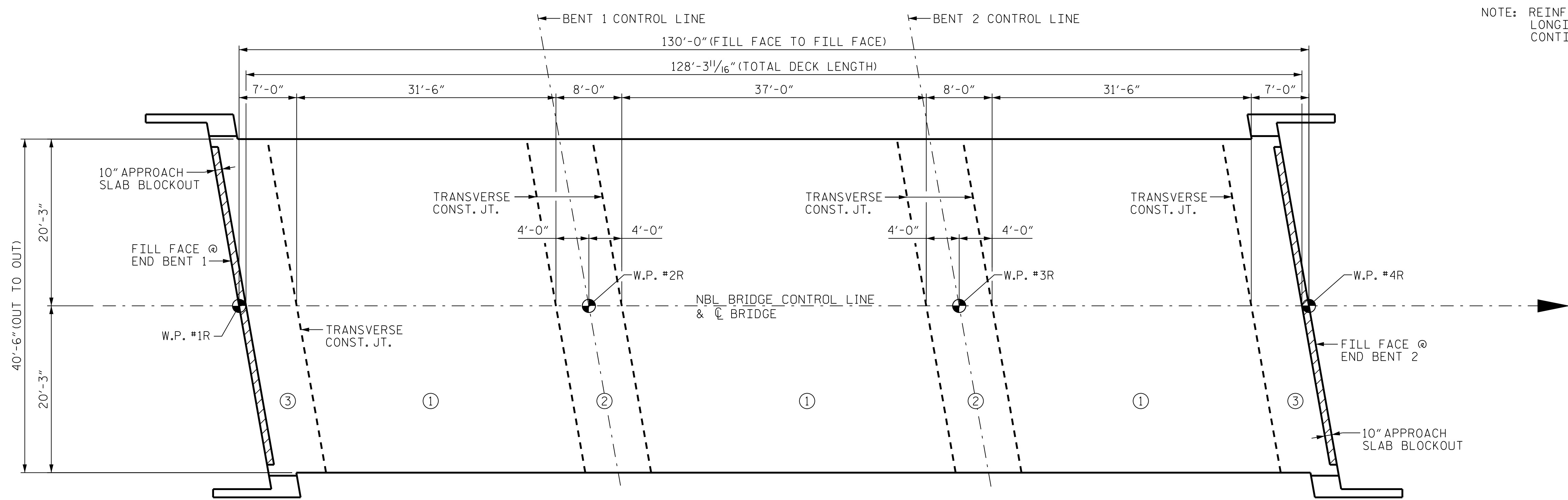
INDICATES POUR NUMBER AND DIRECTION
DECK POUR SEQUENCE
 SEE TRANSVERSE CONSTRUCTION JOINT DETAIL

NOTES
 THE UPPER PORTION OF THE WINGWALLS SHALL BE POURED WITH THE DECK.



TRANSVERSE CONSTRUCTION JOINT DETAIL

NOTE: REINFORCING STEEL IN SLAB NOT SHOWN. LONGITUDINAL REINFORCING STEEL SHALL BE CONTINUOUS THRU JOINT



OPTIONAL DECK POUR SEQUENCE

POURS ② AND ③ CANNOT BE STARTED UNTIL ADJACENT ① POURS REACH A MINIMUM STRENGTH OF 3000 PSI. SEE TRANSVERSE CONSTRUCTION JOINT DETAIL.

PROJECT NO. R-2915B
 ASHE COUNTY
 STATION: 198+64.50 -L-

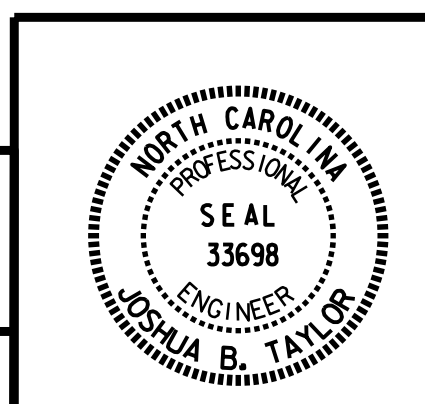
STATE OF NORTH CAROLINA
 DEPARTMENT OF TRANSPORTATION
 RALEIGH
 SUPERSTRUCTURE
 DECK POUR SEQUENCE

(NBL)

REVISIONS			SHEET No.		
No.	BY:	DATE:	No.	BY:	DATE:
1			3		
2			4		

CDM Smith
 CDM SMITH
 5400 Glenwood Avenue, Suite 400
 Raleigh, NC 27612-3228
 NC COA No. F-1255

DRAWN BY : B. WADSWORTH DATE : 06-15 DWG. No.
 CHECKED BY : J. TAYLOR DATE : 06-15
 DESIGN ENGINEER : J. TAYLOR DATE : 06-15



FILE: R:\medn\192915B Structures\PLANS\bridge 2 NBL\192915B_SD_BM_01.dgn
 DATE: 8/10/2015 7:04:12 AM