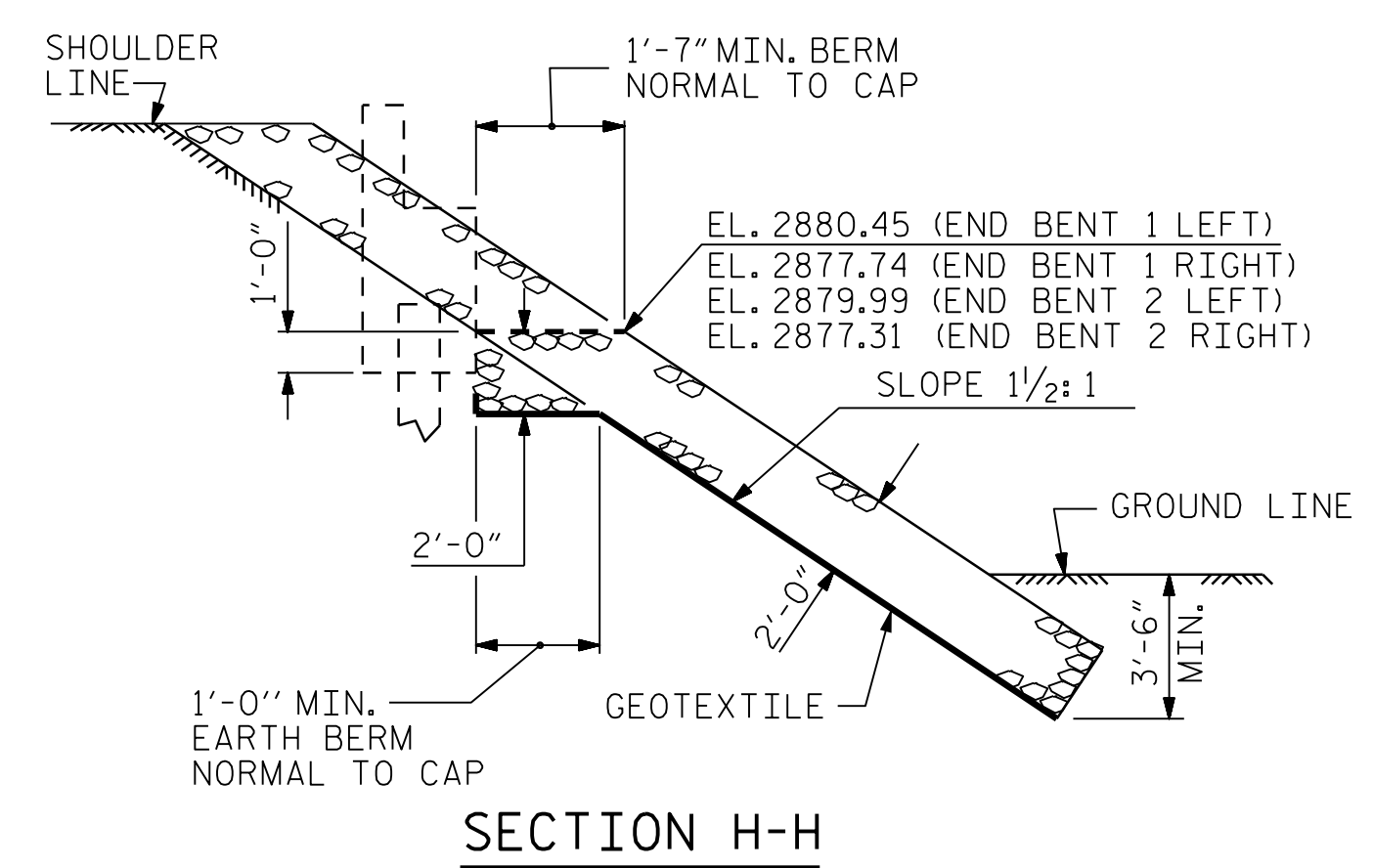


ESTIMATED QUANTITIES		
SBL BRIDGE @ STA. 198+64.50	RIp RAP CLASS II (2'-0" THICK)	GEOTEXTILE FOR DRAINAGE
	TONS	SQUARE YARDS
END BENT 1	219	243
END BENT 2	129	143

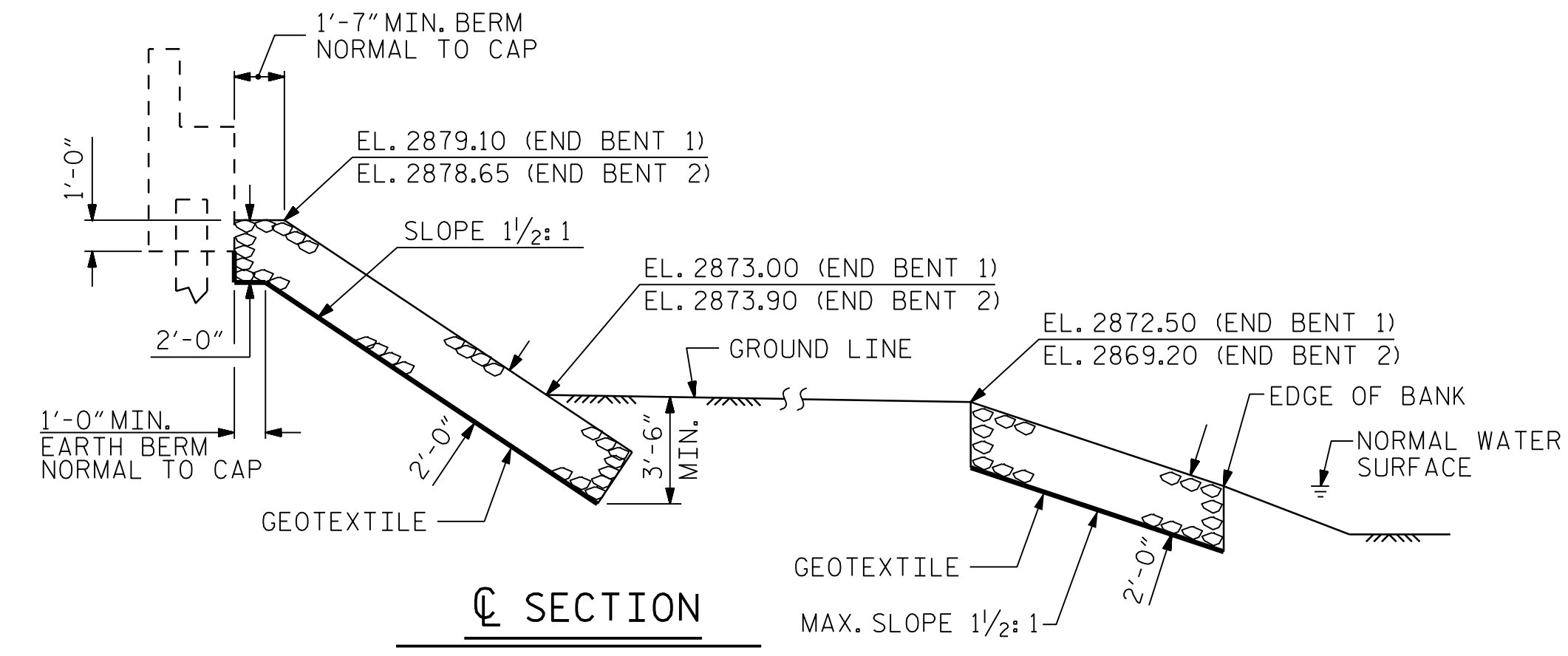


SECTION H-H

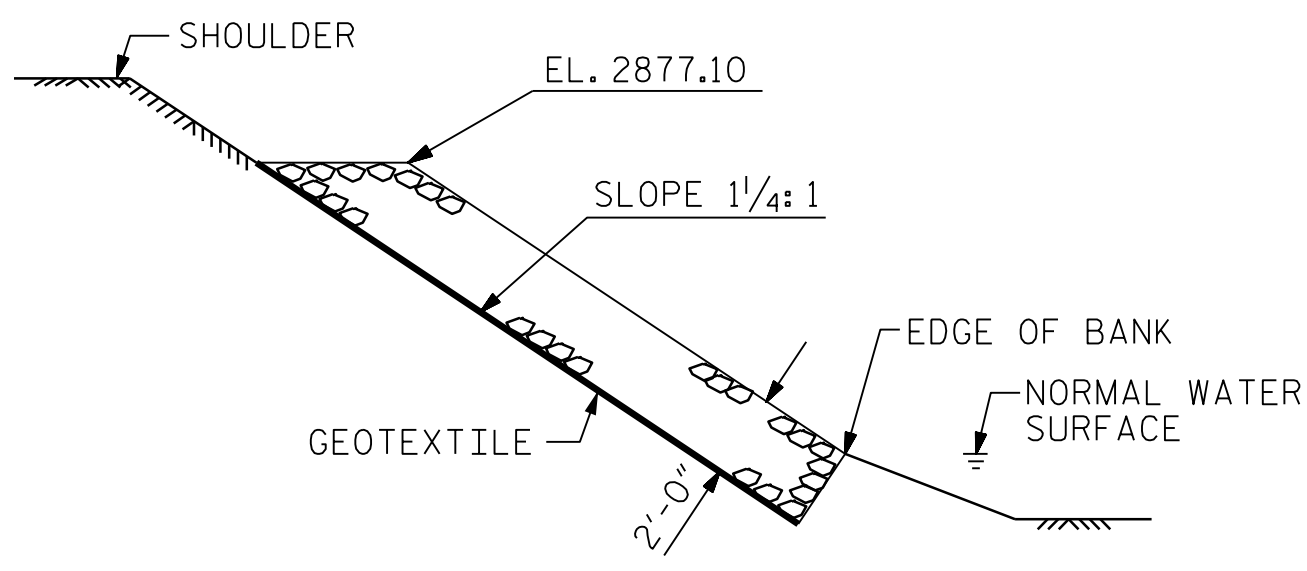
END BENT 1

END BENT 2

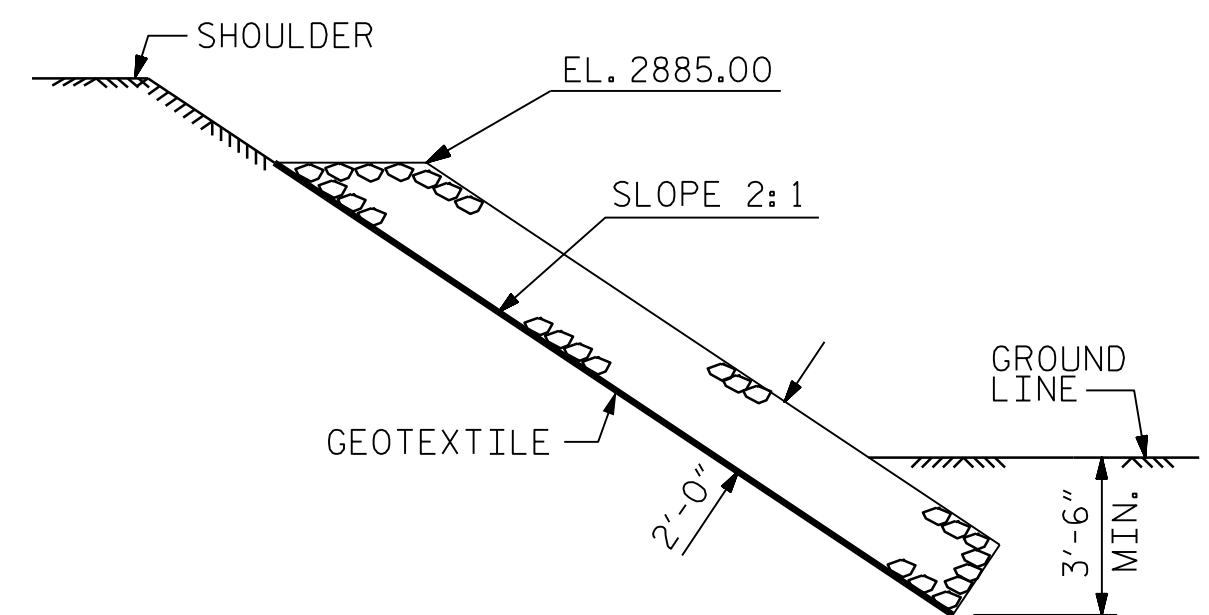
PLAN OF RIP RAP



SECTION C-C
BERM RIP RAPPED



SECTION C-C



SECTION D-D

PROJECT NO. R-2915B
 ASHE COUNTY
 STATION: 198+64.50 -L-

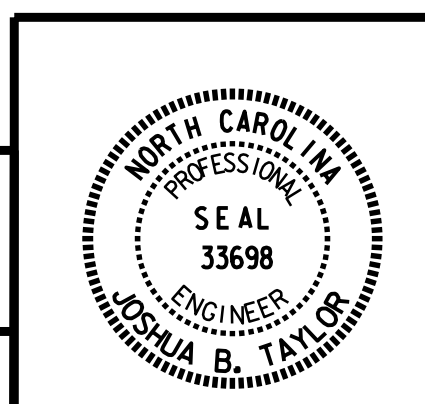
STATE OF NORTH CAROLINA
 DEPARTMENT OF TRANSPORTATION
 RALEIGH
 STANDARD
 RIP RAP DETAILS
 (SBL)

ASSEMBLED BY : J. SLOAN	DATE : 04-14
CHECKED BY : J. TAYLOR	DATE : 07-14
DRAWN BY : REK 1/84	REV. 5/1/06R TLA/GM
CHECKED BY : RDU 1/84	REV. 10/1/11 MAA/GM
	REV. 12/21/11 MAA/GM

CDM Smith
 CDM SMITH
 5400 Glenwood Avenue, Suite 400
 Raleigh, NC 27612-3228
 NC COA No. F-1255

DESIGN ENGINEER : J. TAYLOR DATE : 08-14

DWG. No.



REVISIONS				SHEET No.	
No.	BY:	DATE:	No.	BY:	DATE:
1			3		
2			4		

TOTAL SHEETS 34

STD. NO. RR1