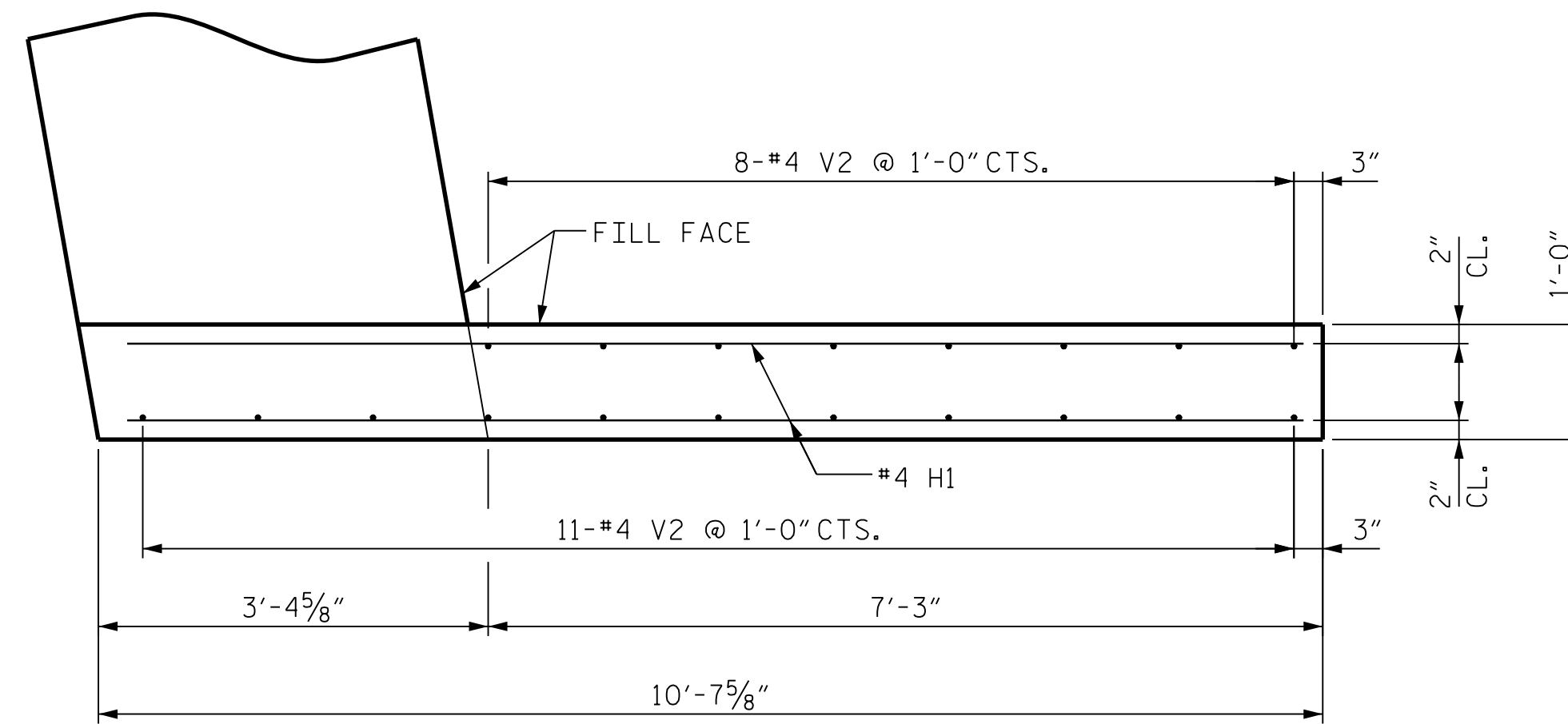
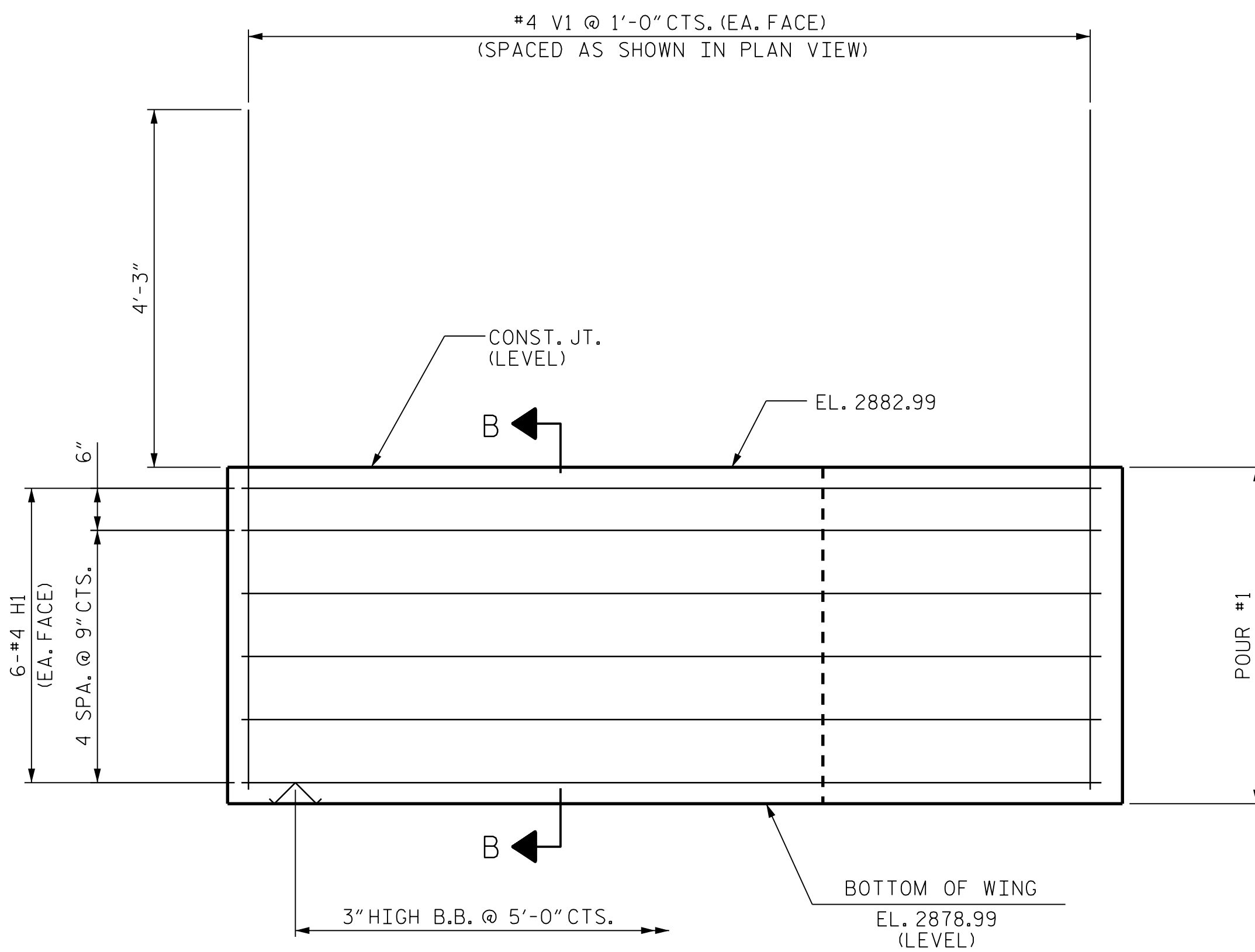


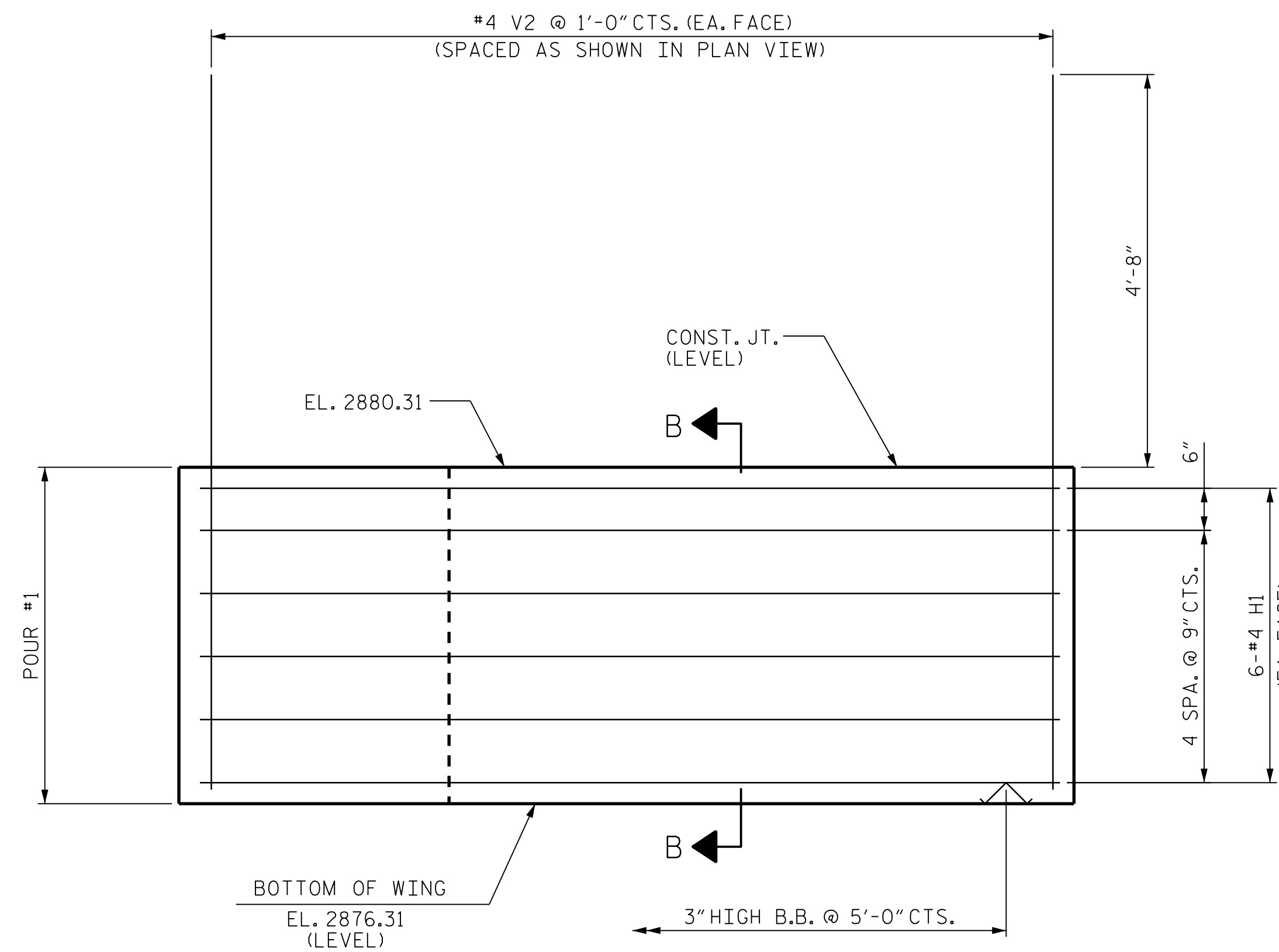
PLAN OF WING (W3)



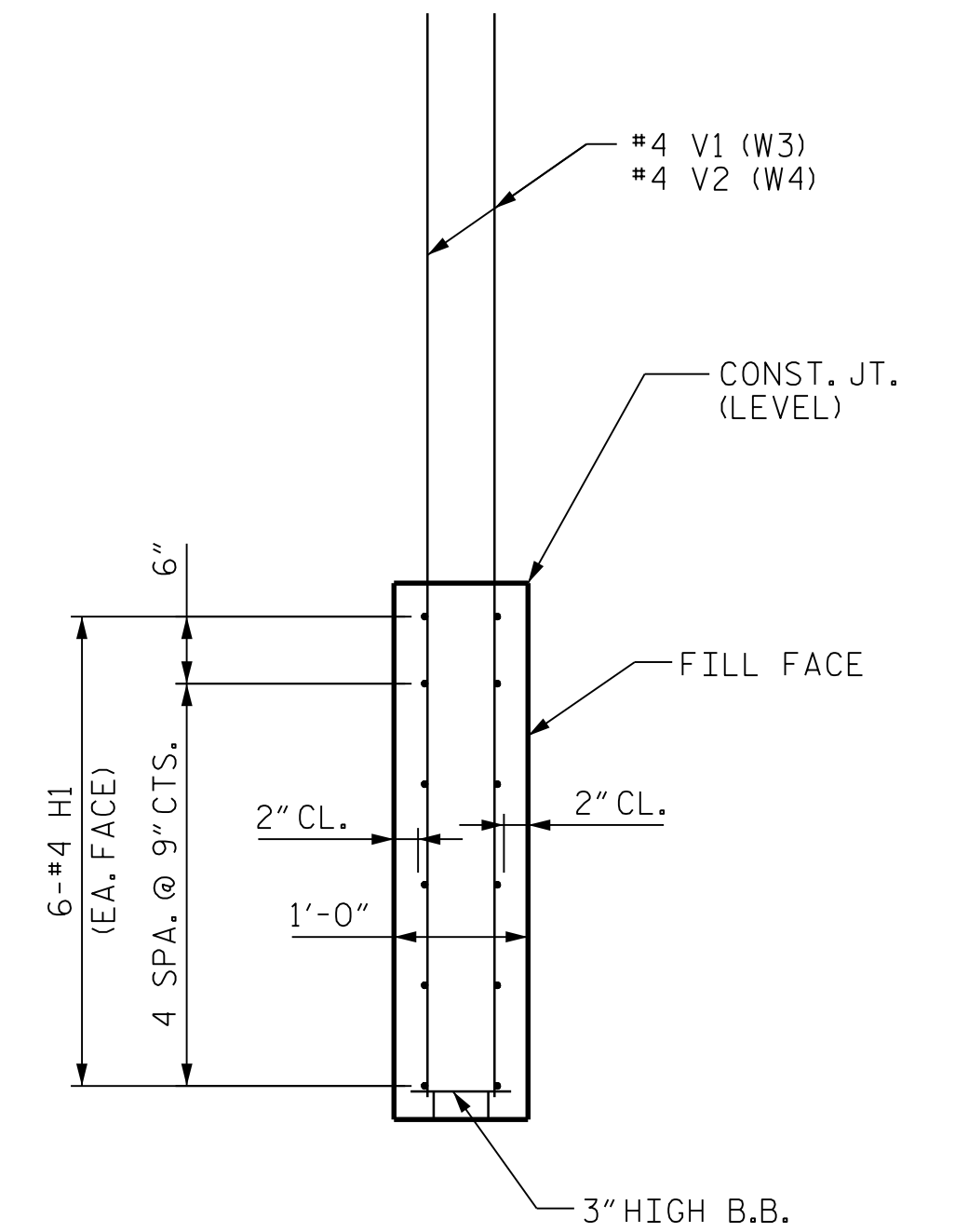
PLAN OF WING (W4)



ELEVATION OF WING (W3)



ELEVATION OF WING (W4)



SECTION B-B

PROJECT NO. R-2915B
 ASHE COUNTY
 STATION: 198+64.50 -L-

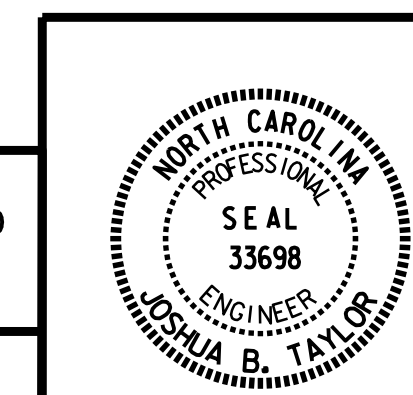
SHEET 2 OF 3

STATE OF NORTH CAROLINA
 DEPARTMENT OF TRANSPORTATION
 RALEIGH
 SUBSTRUCTURE
 END BENT 2
 (SBL)

CDM Smith
 5400 Glenwood Avenue, Suite 400
 Raleigh, NC 27612-3228
 NC COA No. F-1255

CDM SMITH
 5400 Glenwood Avenue, Suite 400
 Raleigh, NC 27612-3228
 NC COA No. F-1255

DRAWN BY: J. SLOAN DATE: 04-14 DWG. No.
 CHECKED BY: J. TAYLOR DATE: 07-14
 DESIGN ENGINEER: J. TAYLOR DATE: 08-14



REVISIONS			SHEET No.		
No.	BY:	DATE:	No.	BY:	DATE:
1			3		
2			4		

TOTAL SHEETS: 34

FILE: R:\medon\192915B\Structures\PLANS\Bentge 1 SBL R2915B_S01_EB2_02.dgn
 DATE: 11/7/2014 2:58:22 PM