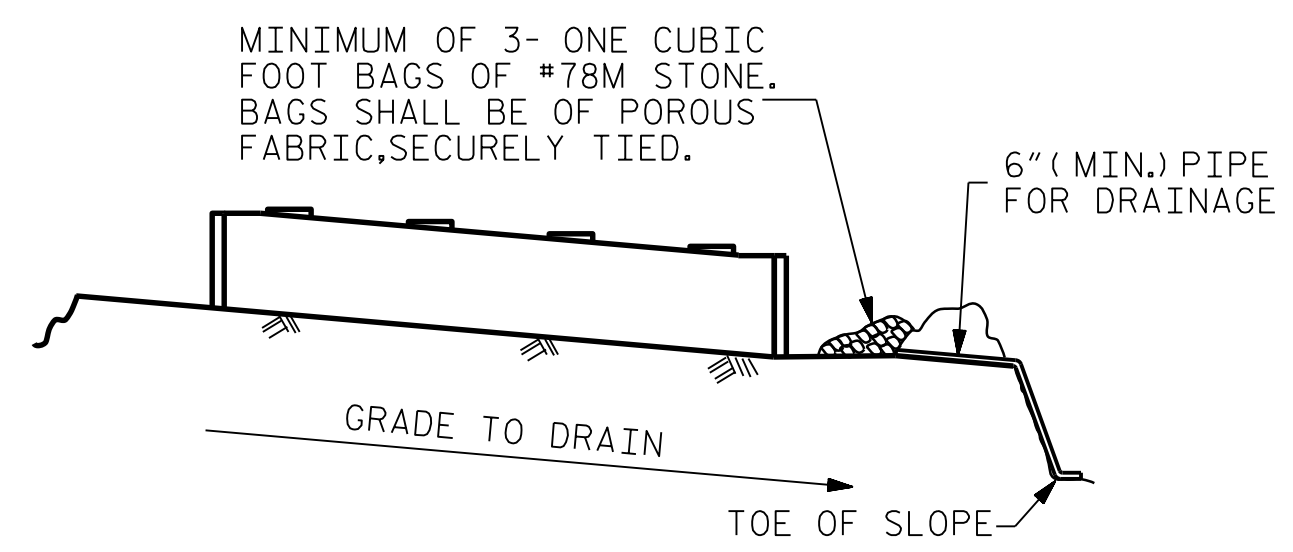


SECTION A-A



BAGGED STONE AND PIPE SHALL BE PLACED IMMEDIATELY AFTER COMPLETION OF END BENT EXCAVATION. PIPE MAY BE EITHER CONCRETE, CORRUGATED STEEL, CORRUGATED ALUMINUM ALLOY, OR CORRUGATED PLASTIC. PERFORATED PIPE WILL NOT BE ALLOWED.

BAGGED STONE SHALL REMAIN IN PLACE UNTIL THE ENGINEER DIRECTS THAT IT BE REMOVED. THE CONTRACTOR SHALL REMOVE AND DISPOSE OF SILT ACCUMULATIONS AT BAGGED STONE WHEN SO DIRECTED BY THE ENGINEER. BAGS SHALL BE REMOVED AND REPLACED WHENEVER THE ENGINEER DETERMINES THAT THEY HAVE DETERIORATED AND LOST THEIR EFFECTIVENESS.

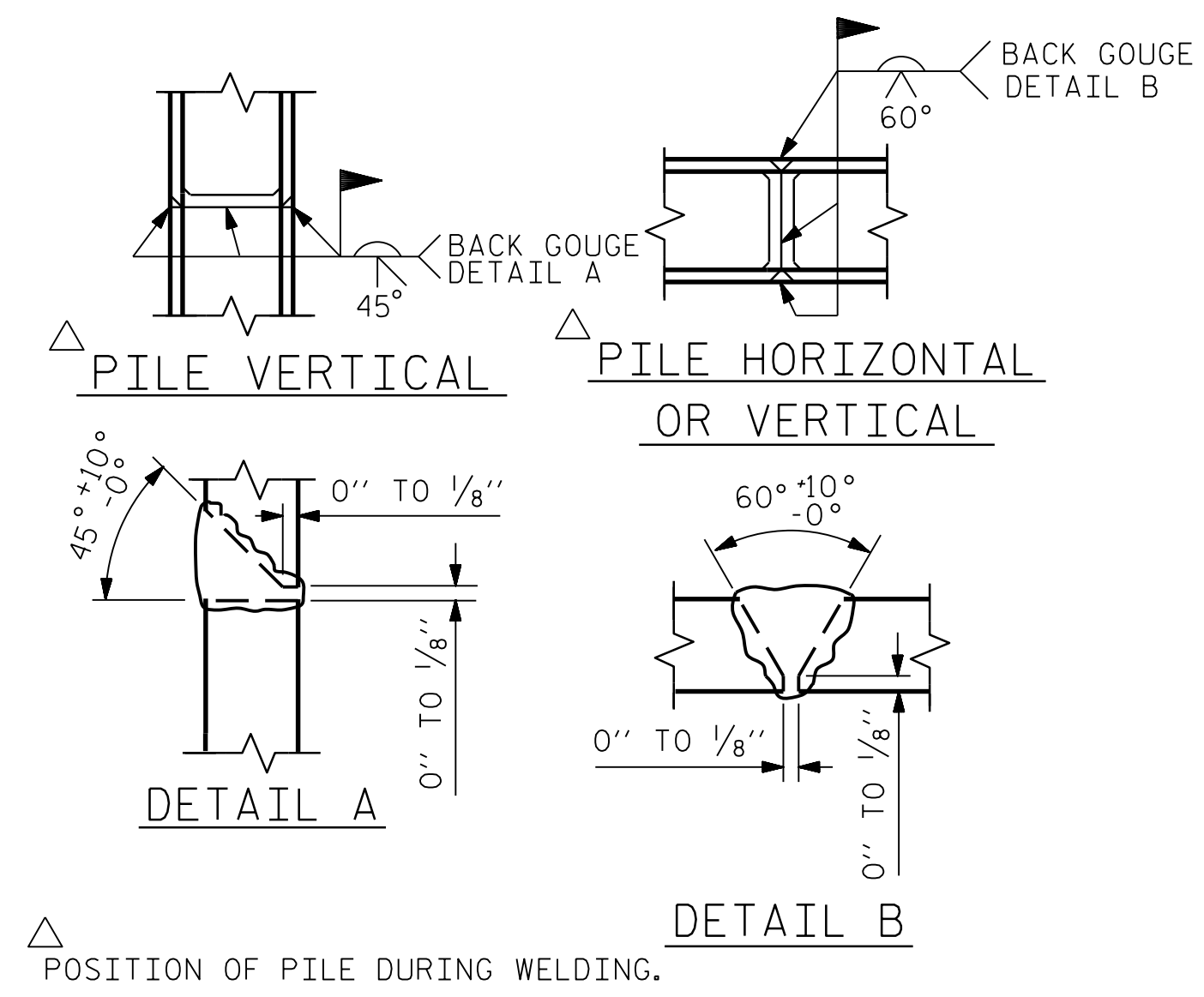
NO SEPARATE PAYMENT WILL BE MADE FOR THIS WORK AND THE ENTIRE COST OF THIS WORK SHALL BE INCLUDED IN THE UNIT CONTRACT PRICE BID FOR THE SEVERAL PAY ITEMS.

TEMPORARY DRAINAGE AT END BENT

LOOKING STATION AHEAD

BAR TYPES		BILL OF MATERIAL				
		END BENT 1				
BAR NO.	SIZE	TYPE	LENGTH	WEIGHT		
B1	12	#9	1	49'-4"	2013	
B2	8	#4	STR	24'-8"	132	
B3	12	#4	STR	3'-0"	24	
B4	8	#7	STR	46'-10"	766	
D1	84	#4	STR	5'-8"	318	
H1	24	#4	STR	10'-1"	162	
S1	92	#5	2	10'-6"	1008	
S2	46	#5	3	3'-11"	188	
S3	24	#4	4	6'-6"	104	
V1	19	#4	STR	8'-0"	102	
V2	19	#4	STR	8'-5"	107	
REINFORCING STEEL				4924 LBS.		
CLASS A CONCRETE BREAKDOWN						
POUR #1 CAP, COLLARS, & LOWER PART OF WINGS				26.8 CU. YD.		
TOTAL CLASS A CONCRETE				26.8 CU. YD.		
HP 12 X 53 STEEL PILES						
NO. = 6				LIN. FT. = 117		

ALL BAR DIMENSIONS ARE OUT TO OUT.



PILE SPLICE DETAILS

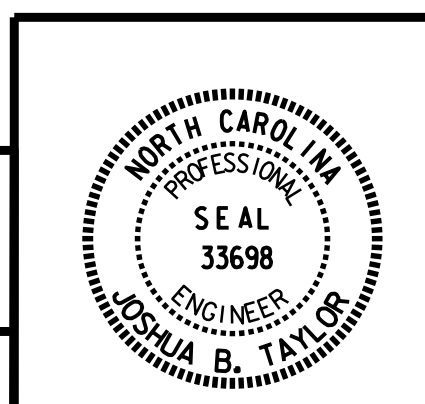
PROJECT NO. R-2915B
 ASHE COUNTY
 STATION: 198+64.50 -L-

SHEET 3 OF 3

STATE OF NORTH CAROLINA					
DEPARTMENT OF TRANSPORTATION					
RALEIGH					
SUBSTRUCTURE					
END BENT 1					
(SBL)					
REVISIONS					SHEET No.
No.	BY:	DATE:	No.	BY:	DATE:
1			3		
2			4		
TOTAL SHEETS					34

CDM Smith
 CDM SMITH
 5400 Glenwood Avenue, Suite 400
 Raleigh, NC 27612-3228
 NC COA No. F-1255

DRAWN BY: J. SLOAN DATE: 04-14 DWG. No.
 CHECKED BY: J. TAYLOR DATE: 07-14
 DESIGN ENGINEER: J. TAYLOR DATE: 08-14



FILE: R:\medon\192915B Structures\PLANS\bridge 1 SBL.dwg DATE: 11/7/2014 2:56:02 PM