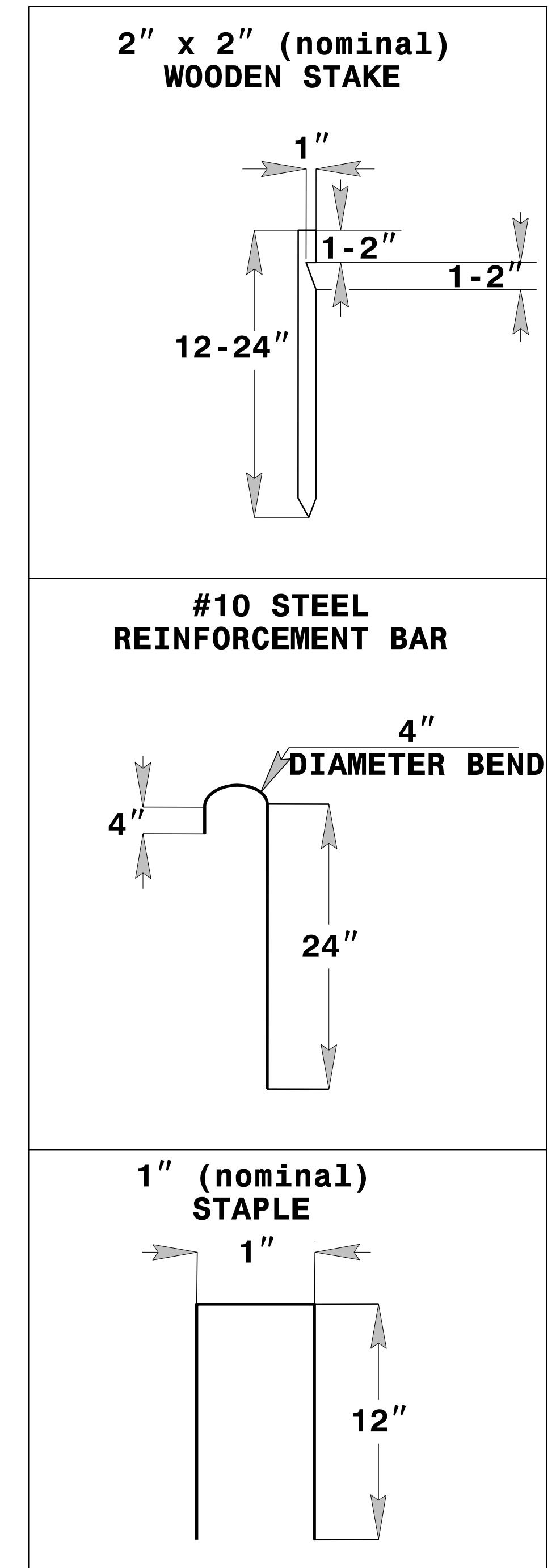
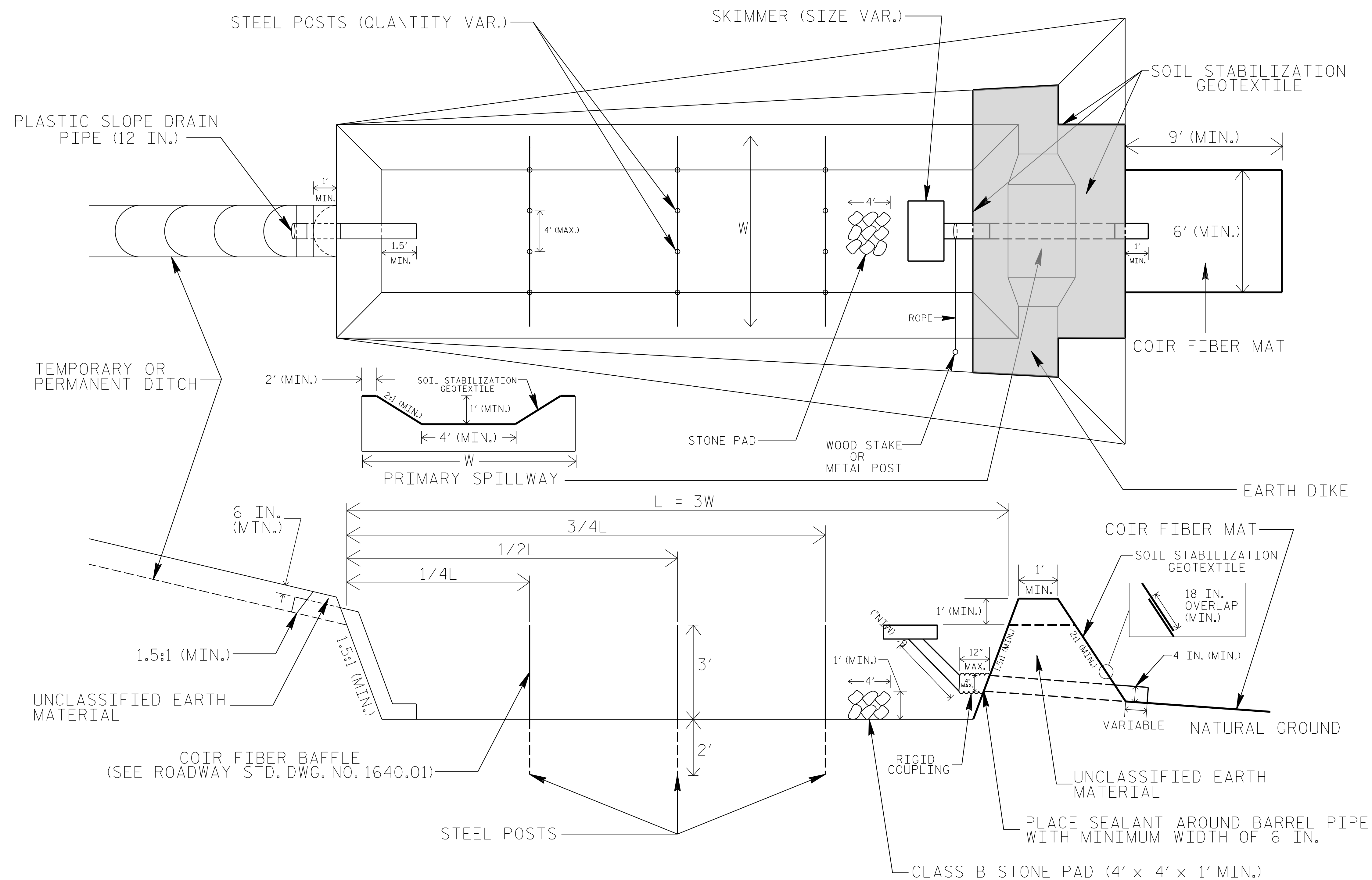


PROJECT REFERENCE NO. R-2915B	SHEET NO. EC-02
RW SHEET NO.	
ROADWAY DESIGN ENGINEER	HYDRAULICS ENGINEER

SKIMMER BASIN WITH BAFFLES DETAIL



NOTES

- SEED AND PLACE MATTING FOR EROSION CONTROL ON INTERIOR AND EXTERIOR SIDESLOPES.
- LIMIT EARTH DIKE HEIGHT TO 5 FT.
- FOR BASIN DEPTH OF 3 FT., THE MINIMUM BASIN WIDTH SHALL BE 9 FT.
- DETERMINE PRIMARY SPILLWAY WEIR LENGTH (FT.) USING $Q/0.4$, WHERE Q IS FLOW RATE (CFS) INTO BASIN.
- PLASTIC SLOPE DRAIN PIPE AT INLET OF BASIN MAY BE REPLACED BY FILTRATION GEOTEXTILE OR TARP AS DIRECTED.
- SOIL STABILIZATION GEOTEXTILE FOR PRIMARY SPILLWAY SHALL BE ONE CONTINUOUS PIECE OF MATERIAL OR OVERLAPPED 18 IN. (MIN.).

NOT TO SCALE