

DRAINAGE DETAILS

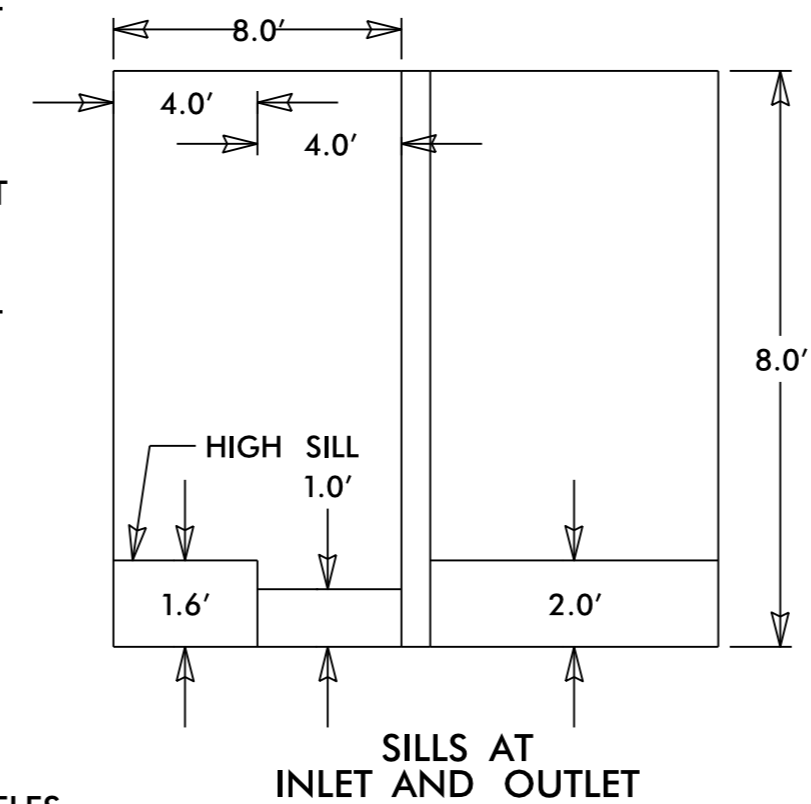
DETAIL #36

(NOT TO SCALE)

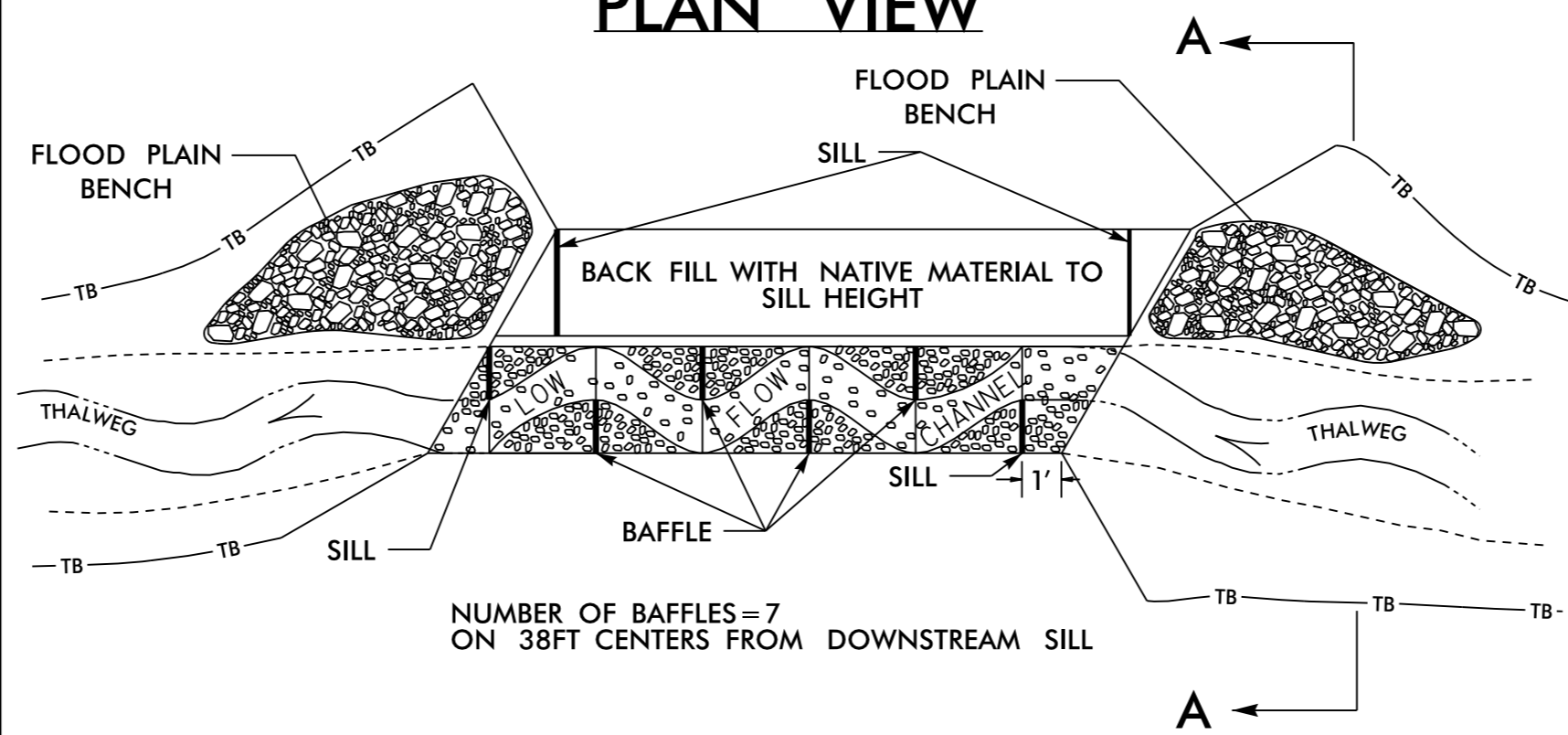
SKewed MULTI-BARREL CULVERT LOW FLOW CHANNEL, SILLS AND FLOOD PLAIN

***NOTES:**

- 1) NATIVE MATERIAL BETWEEN SILLS/BAFFLES IN THE CULVERT SHALL PROVIDE A CONTINUOUS LOW FLOW CHANNEL. NATIVE MATERIAL CONSISTS OF MATERIAL THAT IS EXCAVATED FROM THE THE STREAM OR FLOODPLAIN AT THE PROJECT SITE DURING CONSTRUCTION. ONLY MATERIAL THAT IS EXCAVATED FROM THE STREAM BED MAY BE USED TO LINE THE LOW FLOW CULVERT BARREL. RIP-RAP MAY BE USED TO SUPPLEMENT THE NATIVE MATERIAL IN THE HIGH FLOW CULVERT BARREL(S). IF RIP-RAP IS USED TO LINE THE HIGH FLOW CULVERT BARREL(S), NATIVE MATERIAL SHOULD BE PLACED ON TOP TO FILL VOIDS AND PROVIDE A FLAT SURFACE FOR ANIMAL PASSAGE. NATIVE MATERIAL IS SUBJECT TO APPROVAL BY THE ENGINEER AND MAY BE SUBJECT TO PERMIT CONDITIONS.
- 2) SILLS/BAFFLES ARE TO BE 1.0 FT. WIDE, CAST SEPARATELY AND ATTACHED BY DOWELS.
- 3) TOP OF LOW FLOW SILLS/BAFFLES SHOULD MATCH STREAM BED ELEVATION IN LOW FLOW CHANNEL OF STREAM. (THALWEG)
- 4) DO NOT SET ELEVATION OF HIGH SILL/BAFFLES ABOVE BANK FULL.
- 5) NUMBER OF SILL/BAFFLES DETERMINED BY THE ENGINEER.

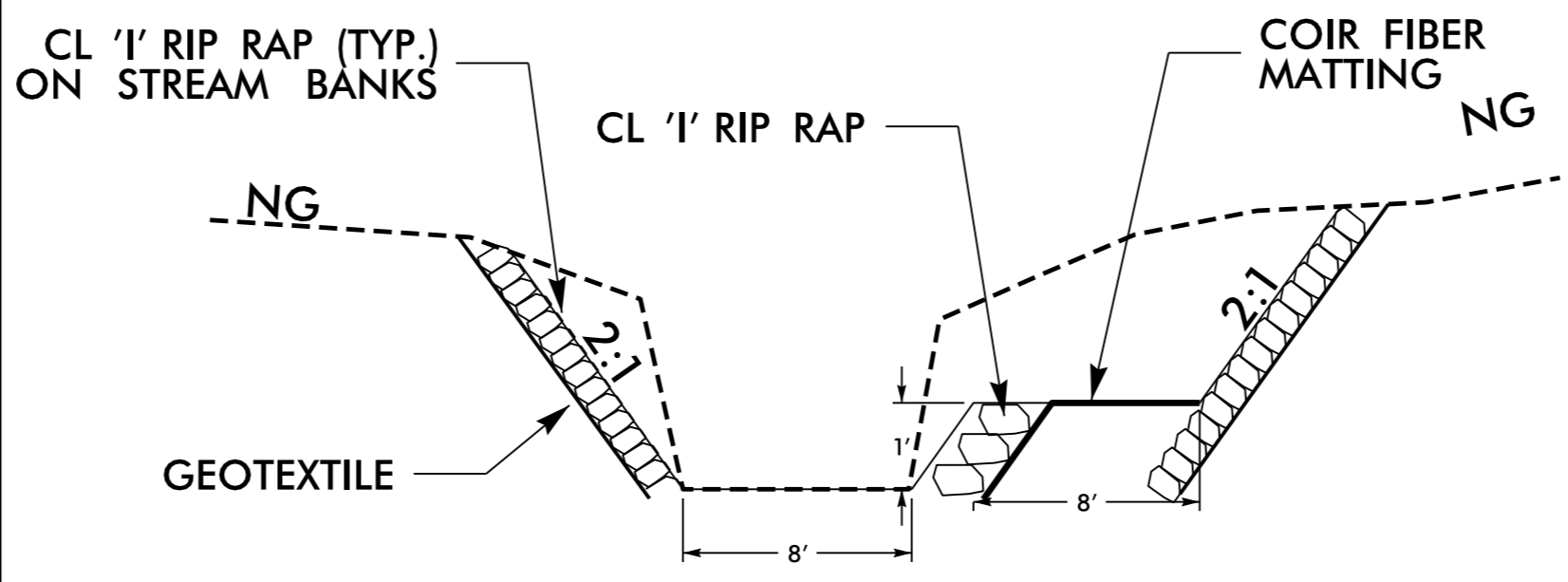


PLAN VIEW



SECTION A-A

INLET AND OUTLET CHANNEL



STA. 160 + 40.08 -L- RT
 STA. 162 + 28.52 -L- LT

5/14/99
 6/26/2015 2:03:26 PM
 USER: j... R-2915B-hyd-DETAILS.dgn