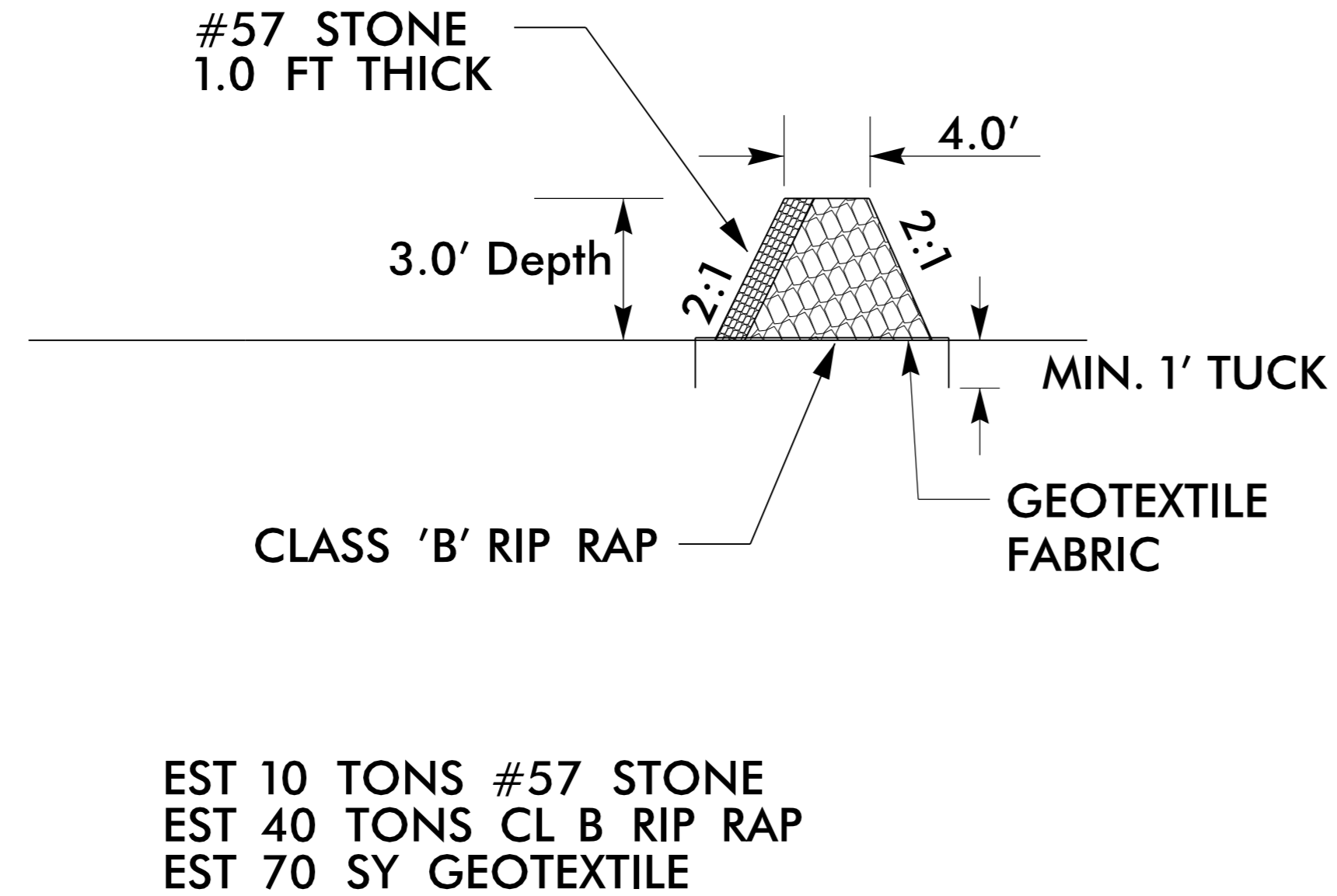


DRAINAGE DETAILS

DETAIL #31

FILTER BERM SECTION VIEW (Not to Scale)



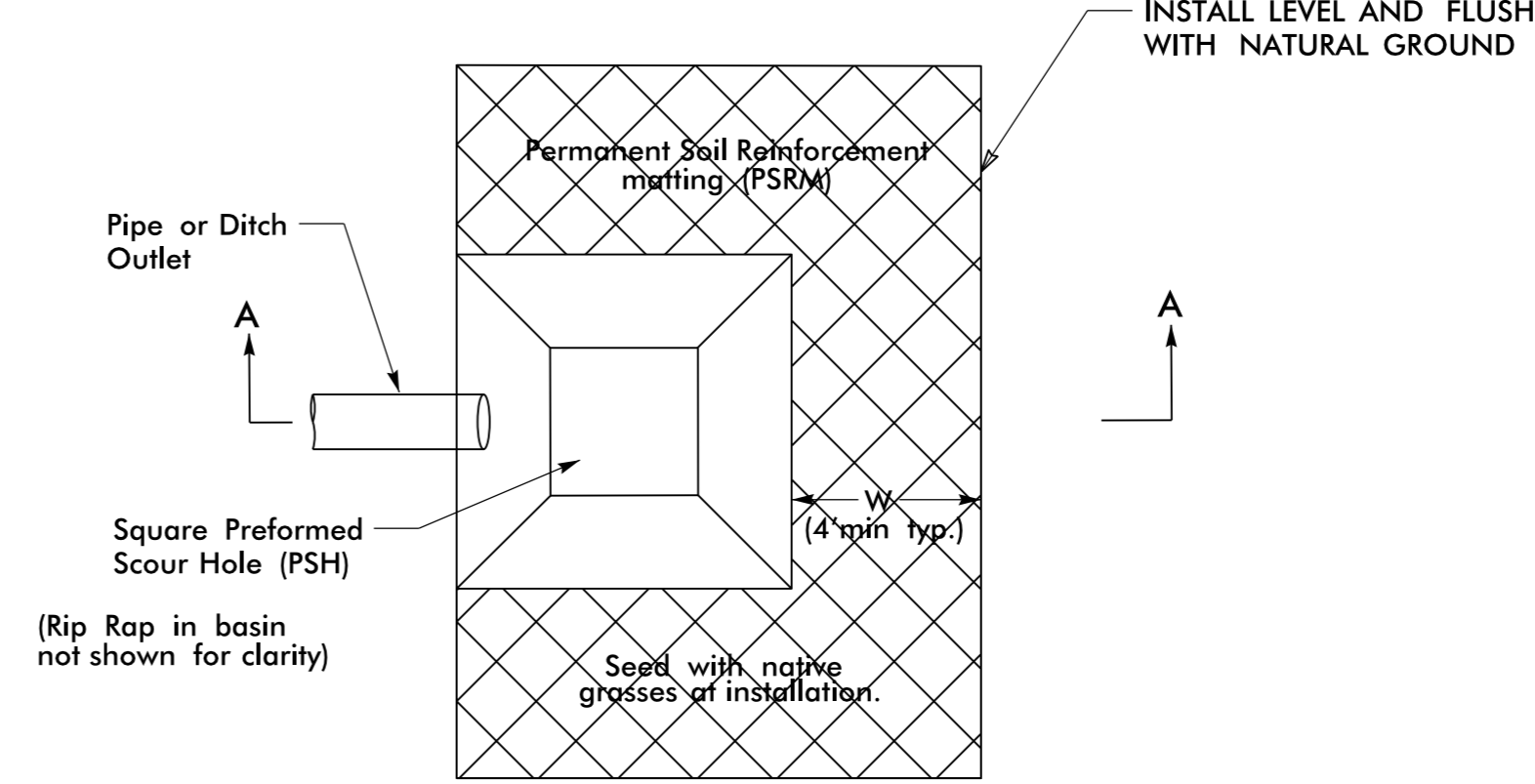
EST 10 TONS #57 STONE
 EST 40 TONS CL B RIP RAP
 EST 70 SY GEOTEXTILE

STA. 198+00 -L- RT

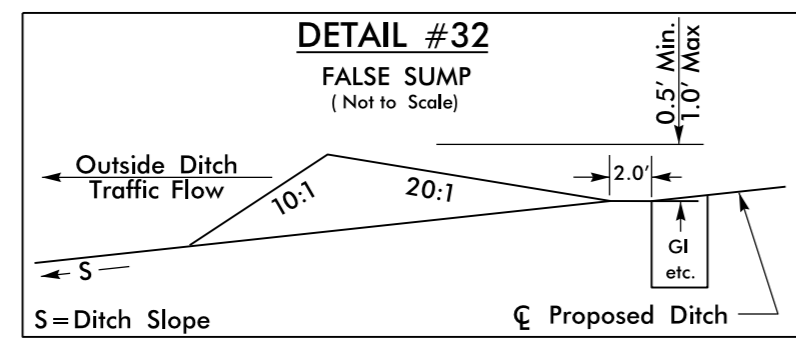
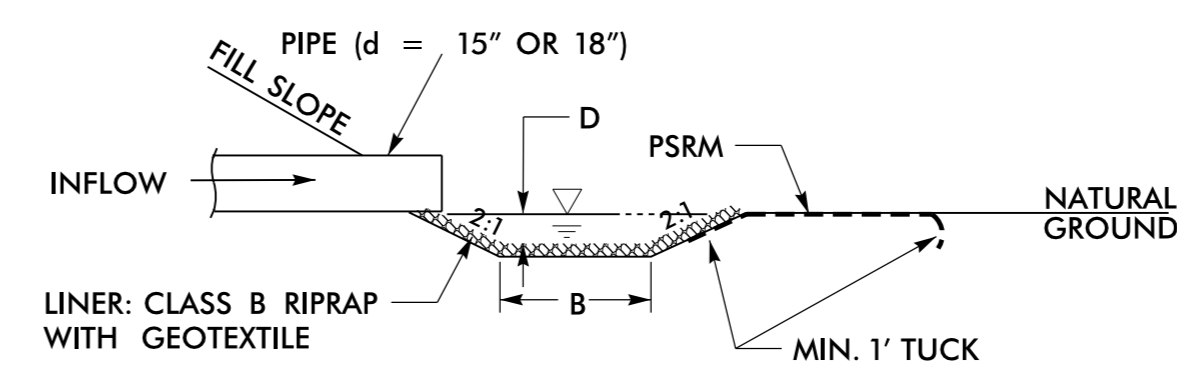
PREFORMED SCOUR HOLE

*NOT TO SCALE

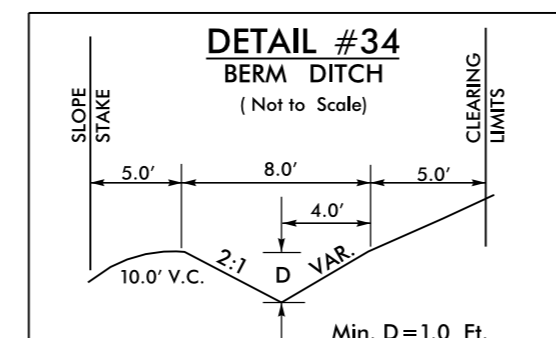
PLAN VIEW



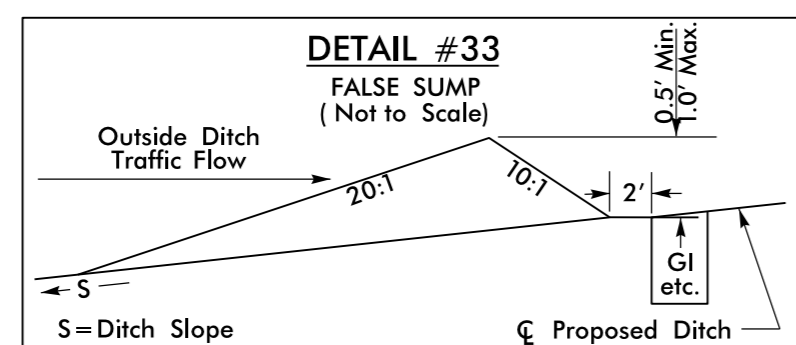
SECTION A-A



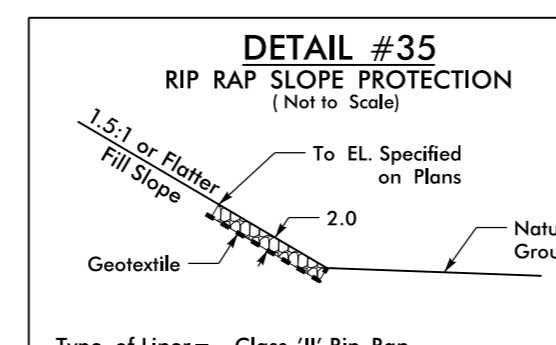
STA. 178+63 -L- RT
 STA. 182+84 -L- RT
 STA. 188+90 -L- RT
 STA. 192+15 -L- RT
 STA. 195+60 -L- RT
 STA. 197+14 -L- RT
 STA. 256+75 -DET- LT
 STA. 14+86 -Y10- LT
 STA. 15+72 -Y10- LT



FROM STA. 164+45 TO STA. 166+05 -L- RT
 FROM STA. 170+65 TO STA. 171+50 -L- RT



STA. 171+37 -L- RT
 STA. 173+87 -L- RT
 STA. 201+62 -L- LT
 STA. 204+14 -L- LT
 STA. 206+64 -L- LT
 STA. 252+10 -DET- RT
 STA. 12+90 -Y9- RT
 STA. 16+10 -Y9- RT
 STA. 14+32 -DR3- RT



Type of Liner = Class 'II' Rip-Rap
 FROM STA. 199+70 TO STA. 211+65 -L- RT
 FROM STA. 215+50 TO STA. 219+20 -L- RT
 FROM STA. 221+63 TO STA. 223+80 -L- RT

STATION	B FT.	D FT.
FOR 15" PIPE	4.0	1.0
165+00 -L- LT	4.0	1.0
171+50 -L- LT	4.0	1.0
200+00 -L- RT	4.0	1.0
204+00 -L- RT	4.0	1.0
206+50 -L- RT	4.0	1.0
211+27 -L- RT	4.0	1.0
216+75 -L- RT	4.0	1.0
221+95 -L- RT	4.0	1.0
231+50 -L- RT	4.0	1.0
232+80 -L- RT	4.0	1.0
238+00 -L- LT	4.0	1.0
FOR 18" PIPE	6.0	1.0
182+30 -L- LT	6.0	1.0