

STATE OF NORTH CAROLINA
 DEPT. OF TRANSPORTATION
 DIVISION OF HIGHWAYS
 RALEIGH, N.C.

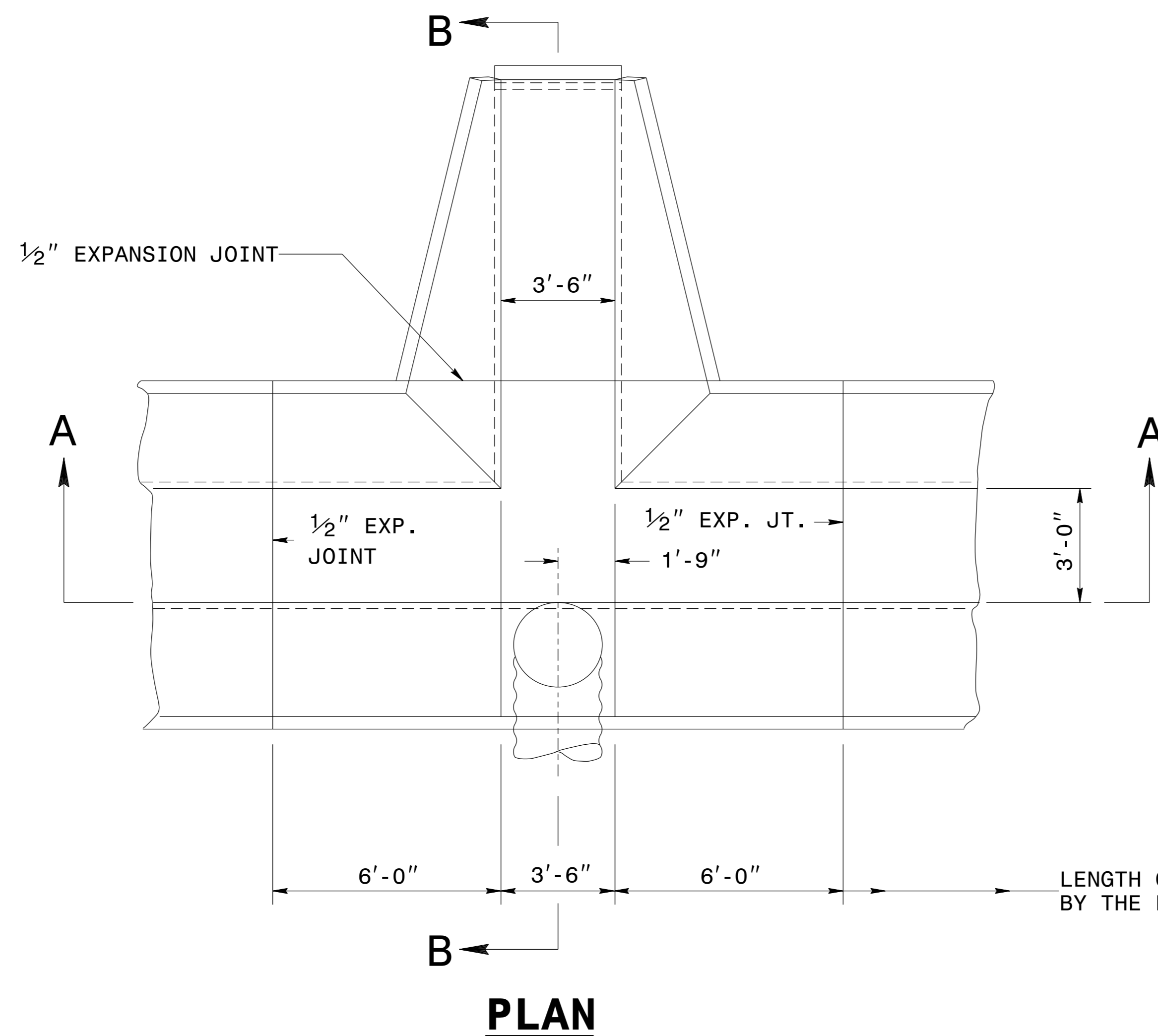
ENGLISH DETAIL DRAWING FOR
GUIDE FOR BERM DRAINAGE OUTLET
 36" PIPE

SHEET 1 OF 1
850D11

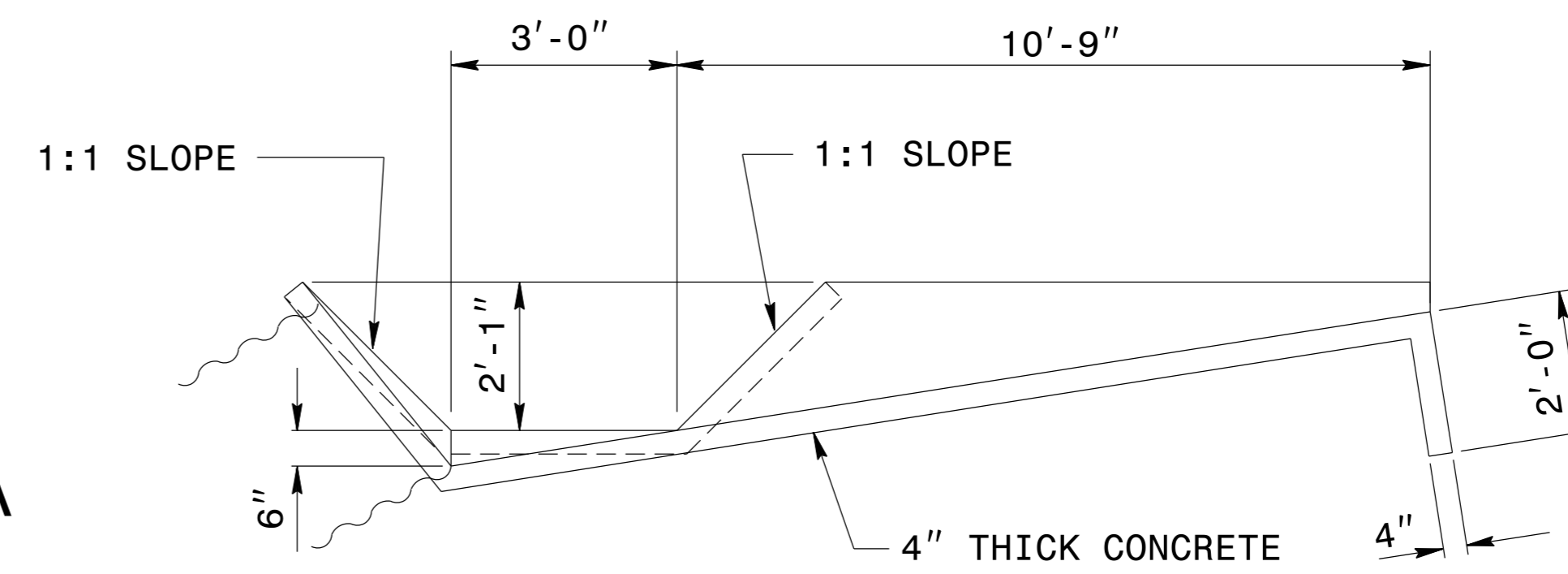
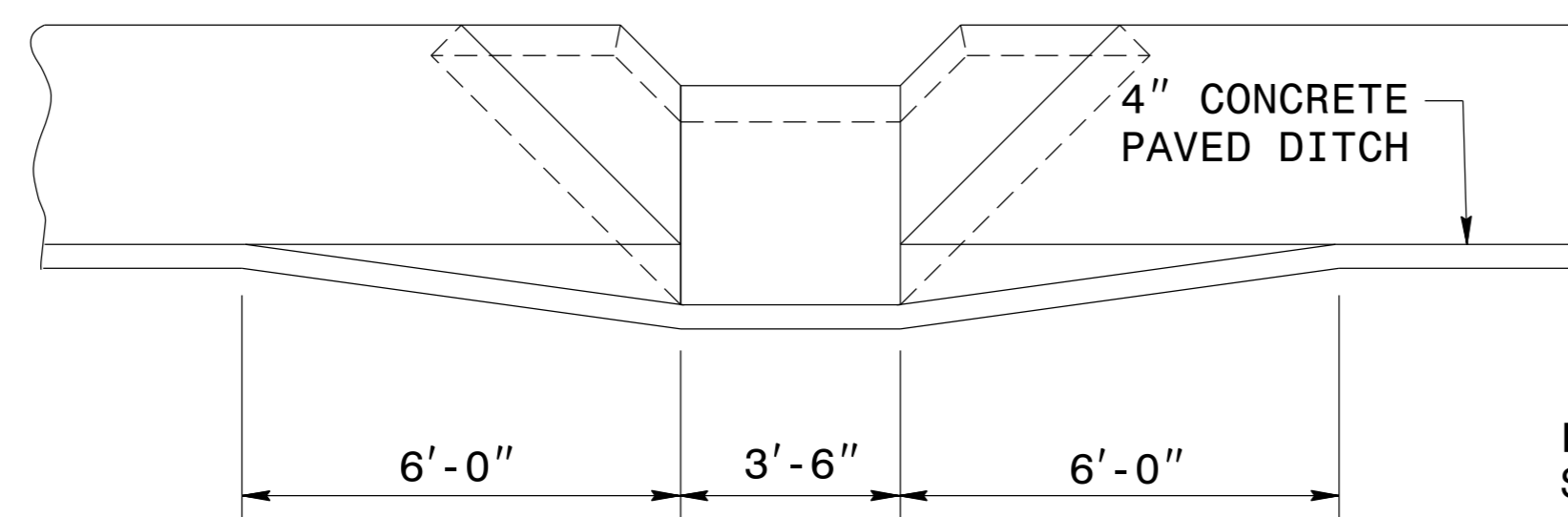
STATE OF NORTH CAROLINA
 DEPT. OF TRANSPORTATION
 DIVISION OF HIGHWAYS
 RALEIGH, N.C.

ENGLISH DETAIL DRAWING FOR
GUIDE FOR BERM DRAINAGE OUTLET
 36" PIPE

SHEET 1 OF 1
850D11



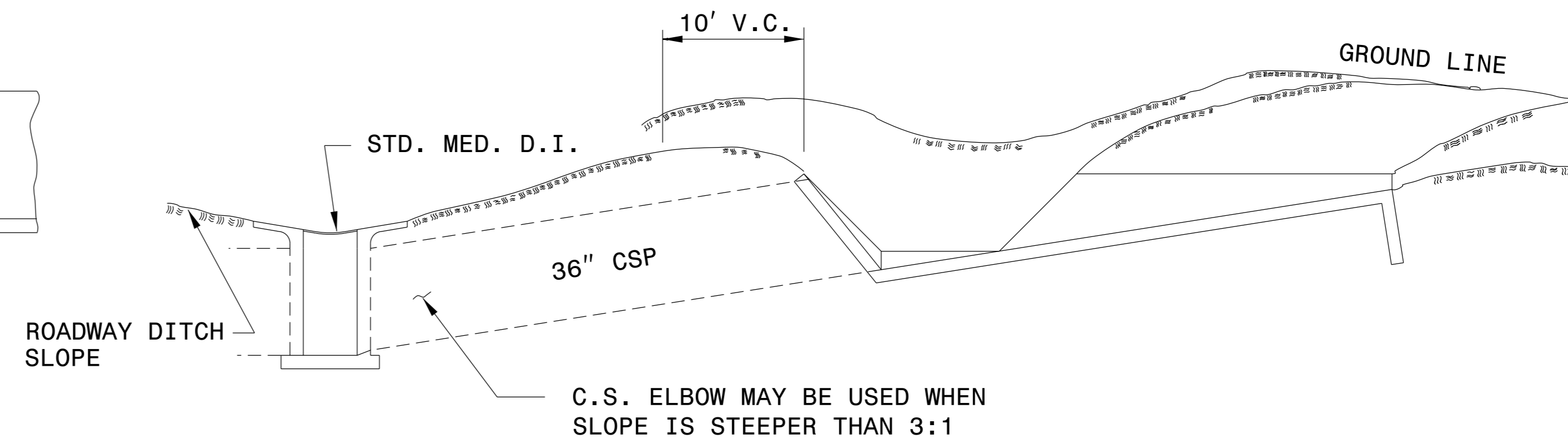
SECTION AA



SECTION BB

GENERAL NOTES:
 WHERE NECESSARY, ELBOWS MAY BE USED TO SKEW PIPE TO FIT INLETS WHERE THERE IS OFFSET BETWEEN THE INLET END AT BERM AND THE D.I.

LENGTH OF PAVED DITCH AS DIRECTED BY THE ENGINEER (5' MIN.)



ELEVATION

7/14/2015



CONTRACT STANDARDS AND DEVELOPMENT UNIT
 Office 919-707-6950 FAX 919-250-4119

SEE PLATE FOR TITLE

ORIGINAL BY: 2002 STANDARDS DATE: 01-15-02
 MODIFIED BY: E.E. WARD DATE: 10-26-04
 CHECKED BY: DATE:
 FILE SPEC.: usr/details/stand/850d01.dgn

850D11.dwg 7/14/2015 10:00 AM