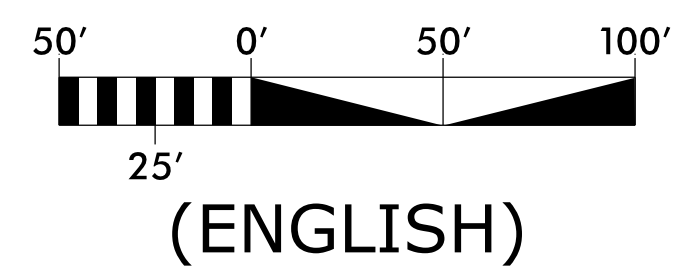
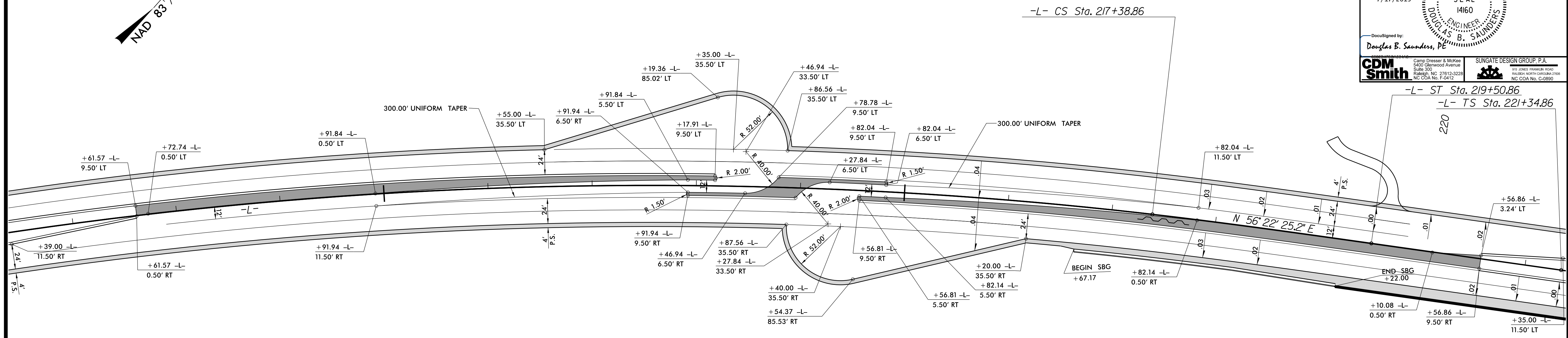


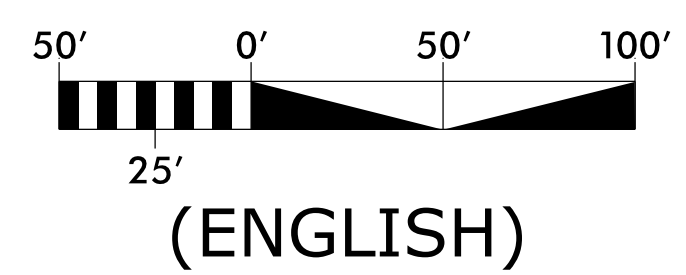
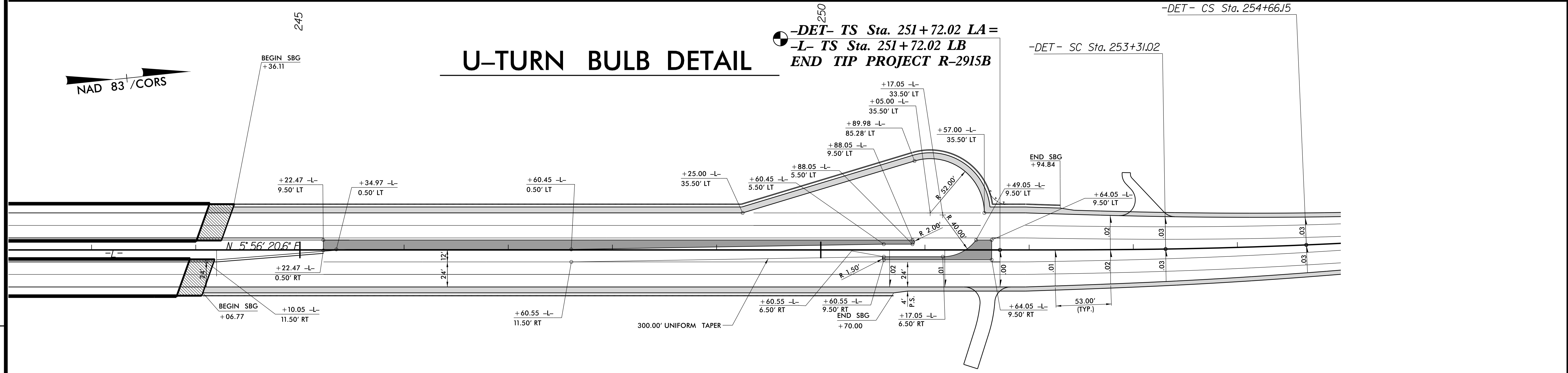
PROJECT REFERENCE NO.	SHEET NO.
R-2915B	2B-2
RW SHEET NO.	
ROADWAY DESIGN ENGINEER	
DocuSigned by: Douglas B. Saunders, PE	

U-TURN BULB DETAIL



REVISIONS

U-TURN BULB DETAIL



6/26/2015 8:09:05 AM
 Listfile: T:\P\2015\2915B\2B-2.dgn