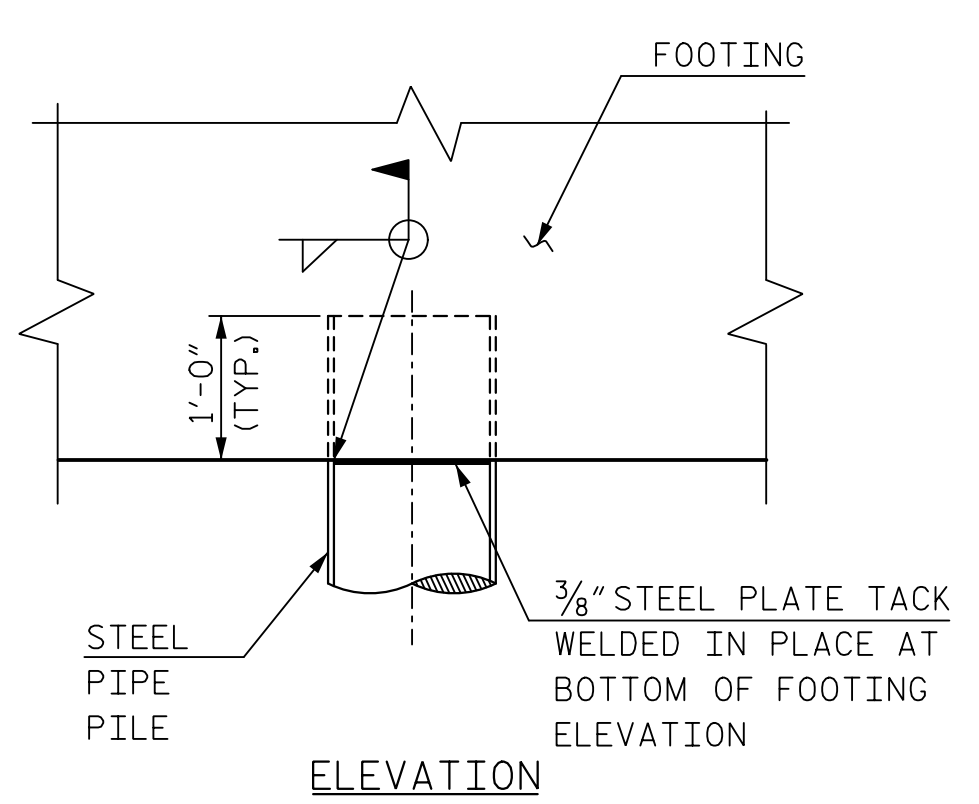


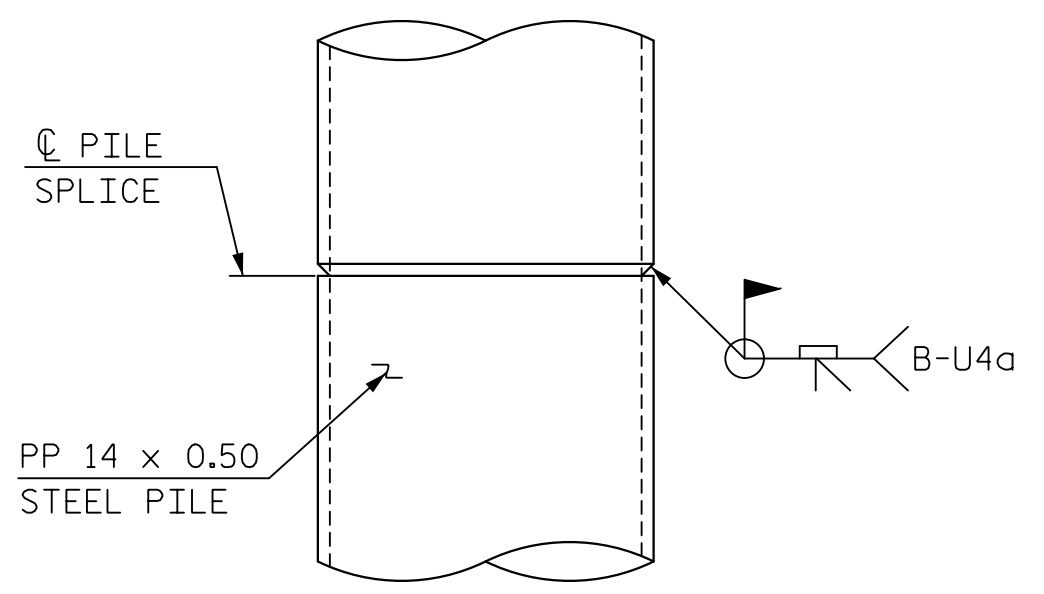
SECTION A-A



ELEVATION

NOTE: THE CONTRACTOR MAY PROPOSE AN ALTERNATE METHOD FOR PLUGGING THE STEEL PIPE PILE, SUBJECT TO APPROVAL BY THE ENGINEER.

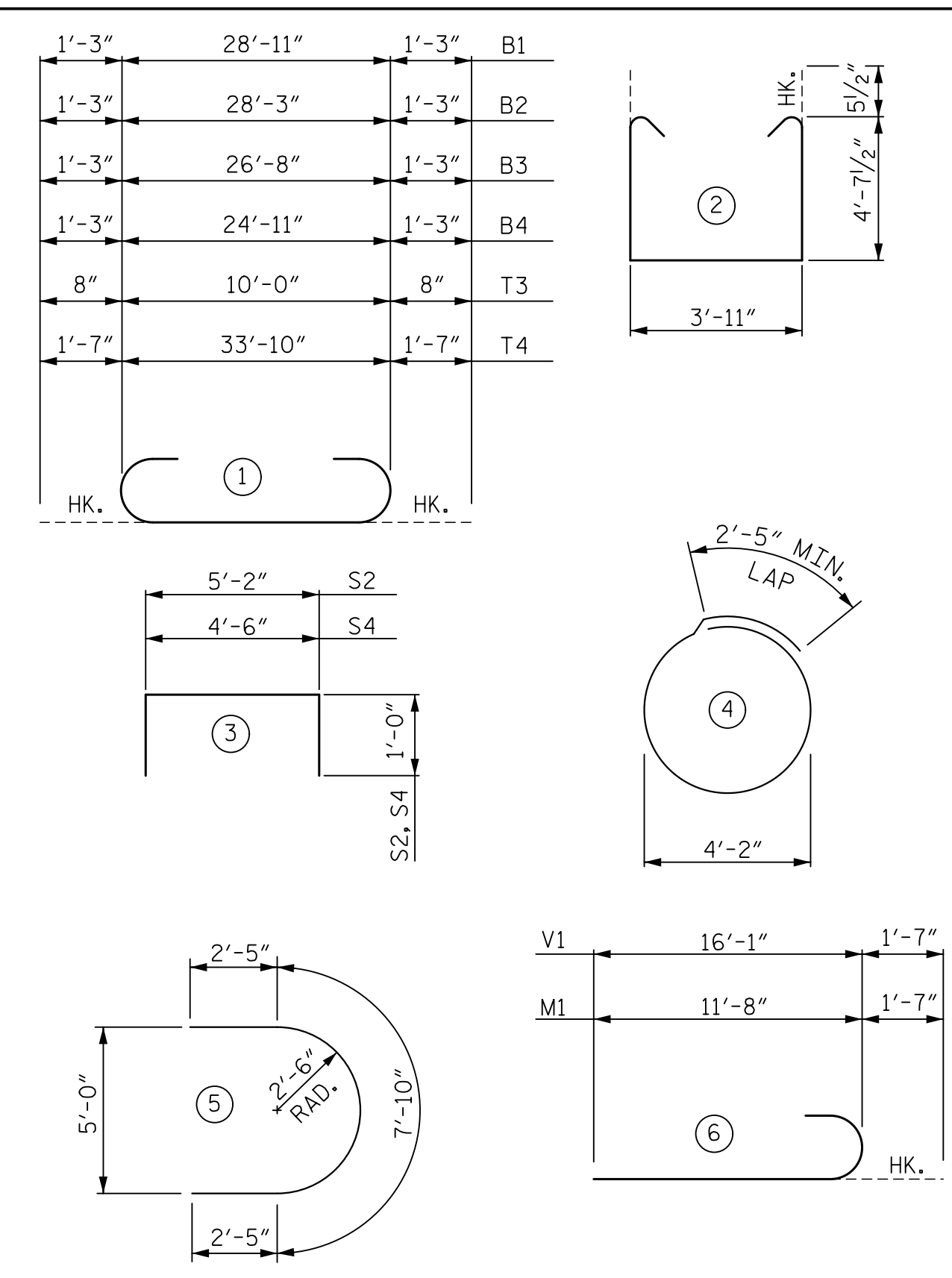
PIPE PILE IN FOOTING DETAIL



PIPE PILE SPLICE DETAIL

PILE SPLICES SHALL BE IN ACCORDANCE WITH THE STANDARD SPECIFICATIONS AND AWS D1.1.

BAR TYPES



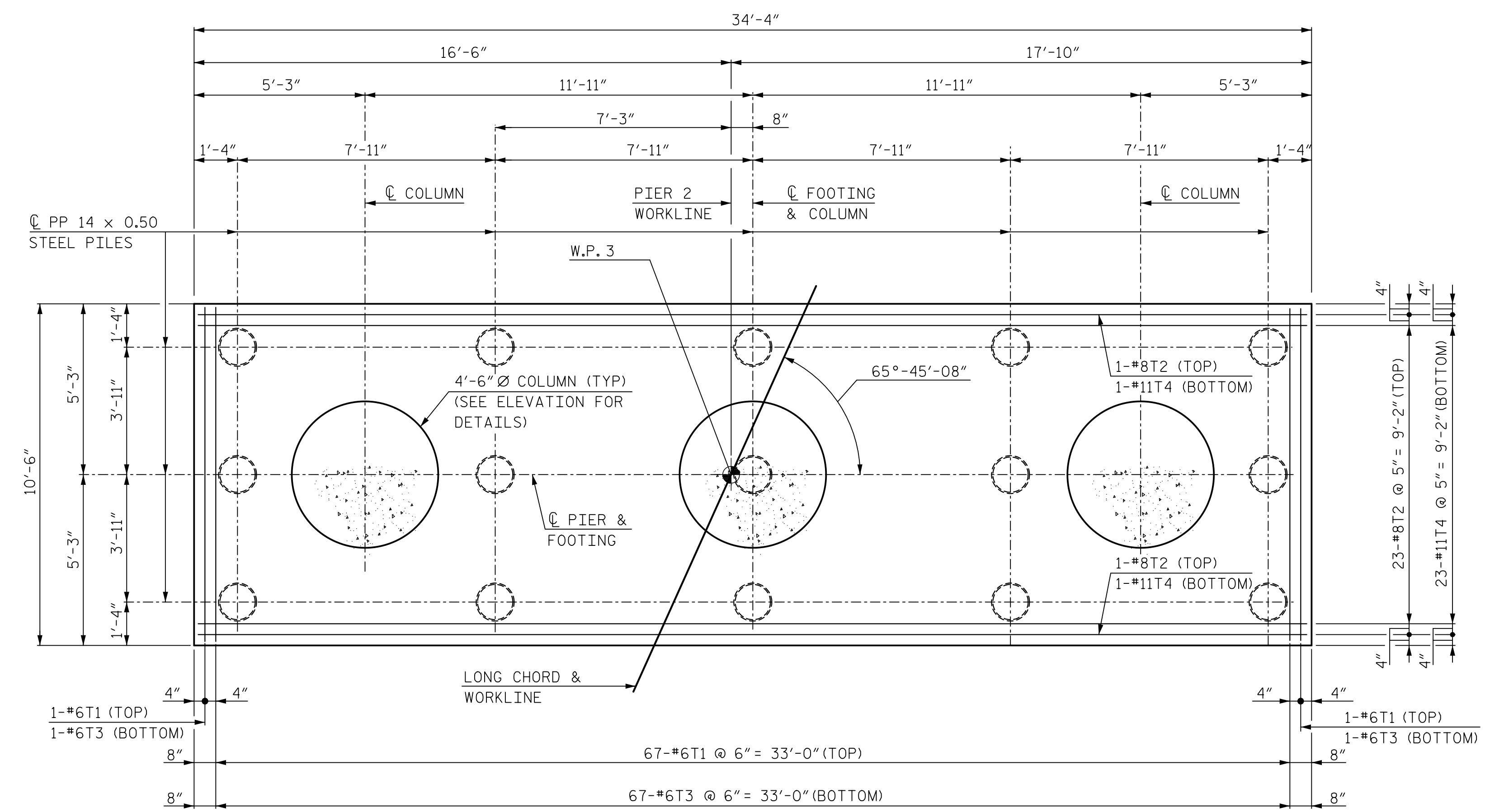
ALL BAR DIMENSIONS ARE OUT TO OUT

BILL OF REINFORCING

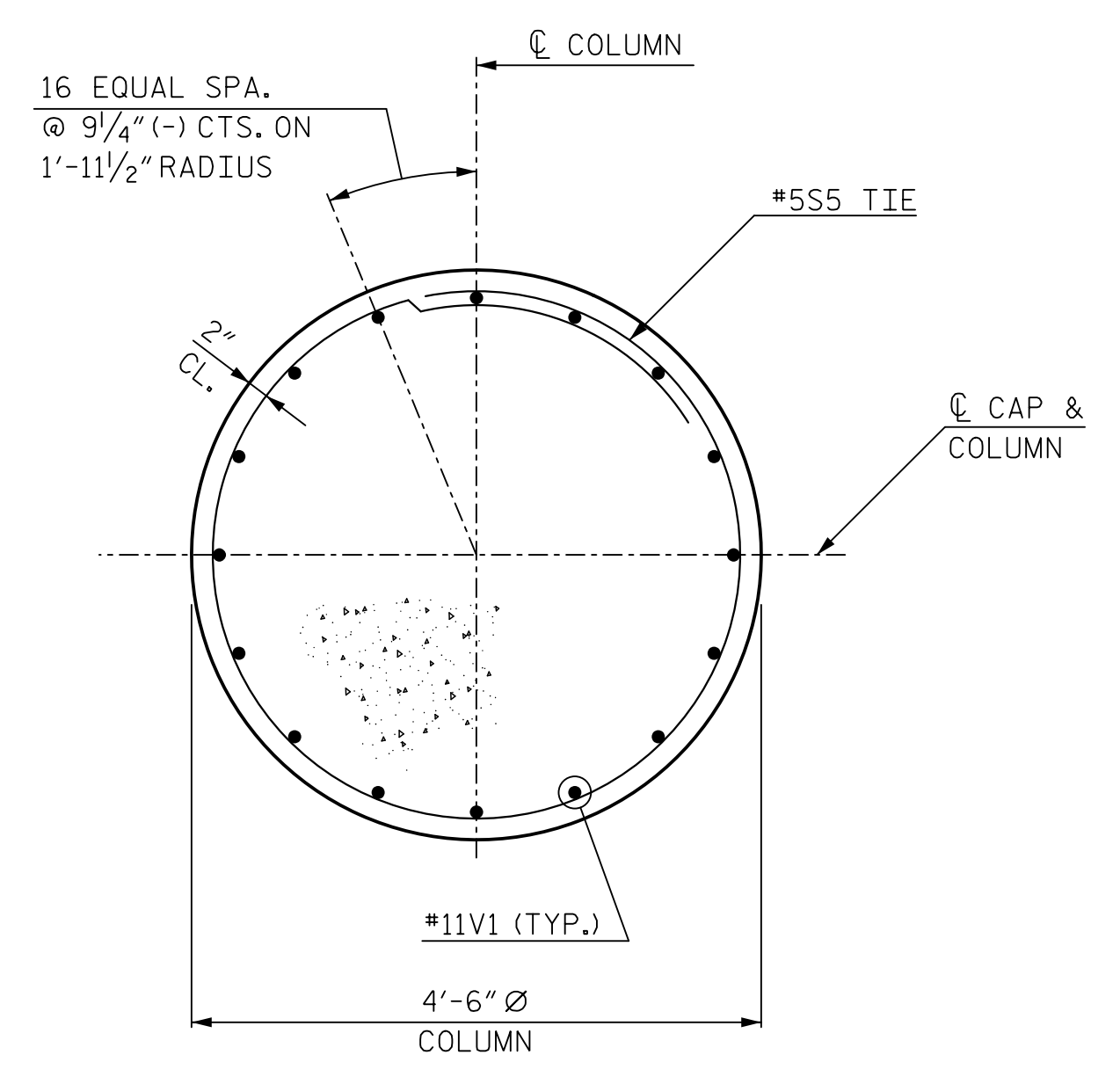
PIER 2					
BAR	NO.	SIZE	TYPE	LENGTH	WEIGHT
B1	2	9	1	31'-5"	214
B2	2	9	1	30'-9"	209
B3	2	9	1	29'-2"	198
B4	2	9	1	27'-5"	186
B5	2	9	STR.	28'-11"	197
B6	4	9	STR.	28'-3"	384
B7	2	9	STR.	26'-8"	181
B8	4	9	STR.	24'-11"	339
B9	10	5	STR.	23'-10"	249
S1	60	5	2	14'-1"	881
S2	48	4	3	7'-2"	230
S3	16	5	5	12'-8"	211
S4	16	4	3	6'-6"	69
S5	45	5	4	15'-4"	720
M1	48	11	6	13'-3"	3,379
T1	69	6	STR.	10'-0"	1,036
T2	25	8	STR.	33'-10"	2,258
T3	69	6	1	11'-4"	1,175
T4	25	11	1	37'-0"	4,915
V1	48	11	6	17'-8"	4,505

QUANTITIES

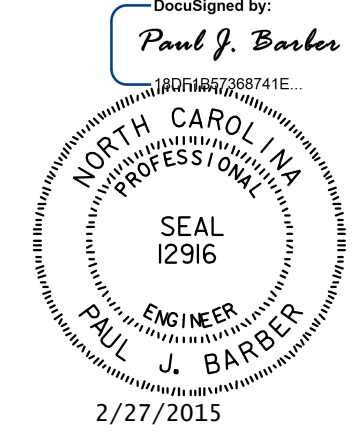
ITEM	TOTAL
REINFORCING STEEL	LBS 21,536
CAST-IN-PLACE CONCRETE (4,000 PSI):	
POUR 1	CU. YDS. 83.4
POUR 2	CU. YDS. 24.7
POUR 3	CU. YDS. 28.7
TOTAL	CU. YDS. 136.8
PP 14 x 0.50 STEEL PILES	NO. 15
	L.F. 900
PIPE PILE PLATES	EACH 15



FOOTING PLAN



SECTION B-B



PROJECT NO. P-4900A  
 ROBESON COUNTY  
 STATION: POC 38+93.36 -L-  
 MILE POST: 0.55  
 SHEET 2 OF 2

STATE OF NORTH CAROLINA  
 DEPARTMENT OF TRANSPORTATION  
 RALEIGH  
 SUBSTRUCTURE  
 PIER 2

REVISIONS						SHEET NO.
NO.	BY:	DATE:	NO.	BY:	DATE:	S-45
1			3			TOTAL SHEETS
2			4			54

**HNTB** HNTB NORTH CAROLINA, P.C.  
 License No. C-1554  
 343 E. Six Forks Rd., Suite 200, Raleigh, N.C. 27609

DRAWN BY J. BAYNE DATE 9/14  
 CHECKED BY P. BARBER DATE 9/14

DWG. NO. 26