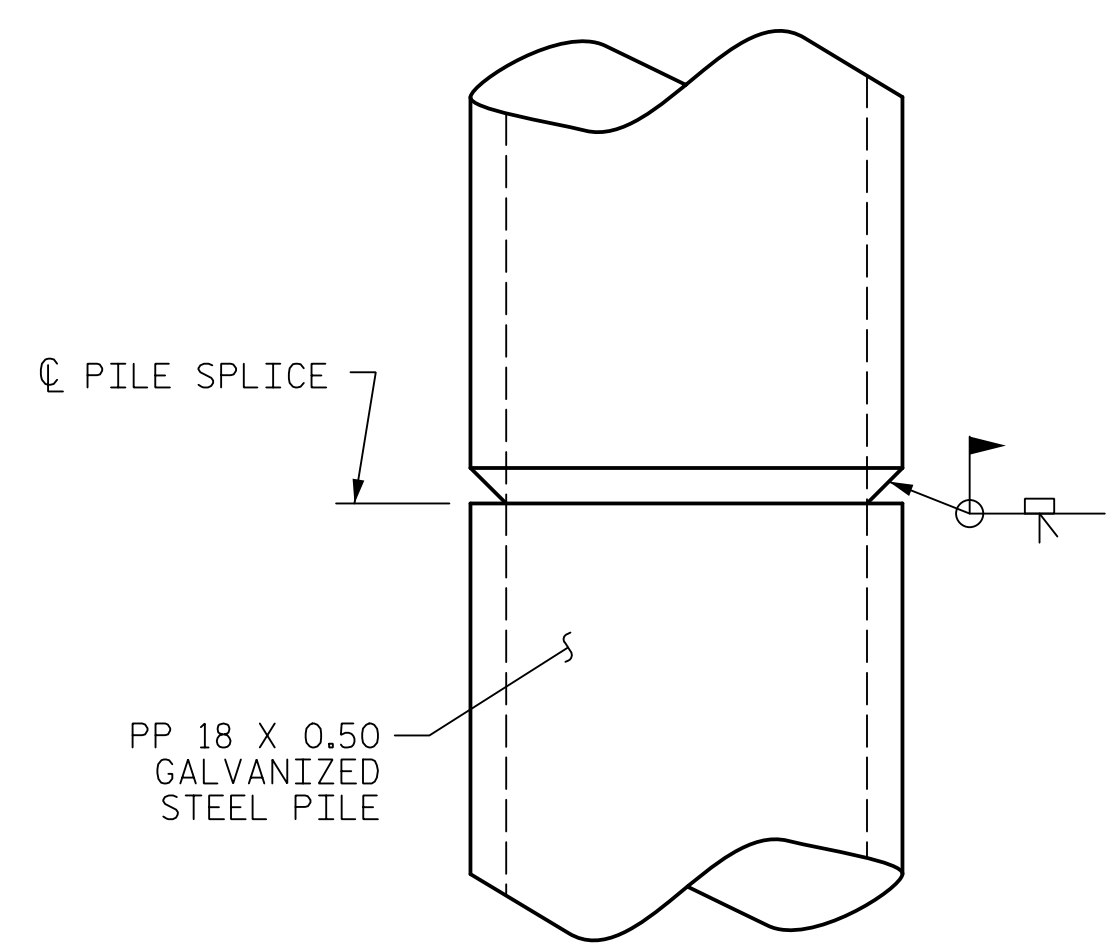
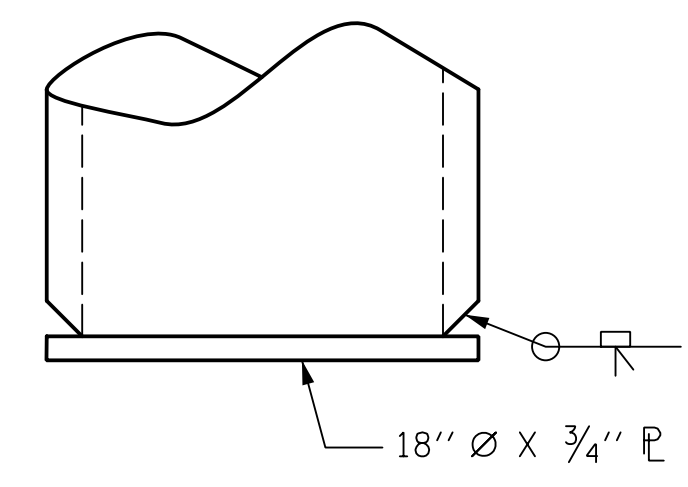


PP 18 X 0.50 GALVANIZED STEEL PILE
(CLOSED END)



NOTES

PIPE PILES SHALL BE IN ACCORDANCE WITH SECTION 1084 OF THE STANDARD SPECIFICATIONS.

GALVANIZE STEEL PIPE PILES IN ACCORDANCE WITH SECTION 1076 OF THE STANDARD SPECIFICATIONS. GALVANIZING PIPE PILE PLATES IS NOT REQUIRED.

PIPE PILE PLATES, IF REQUIRED, SHALL BE IN ACCORDANCE WITH THE SPECIAL PROVISIONS.

REMOVE AND REPLACE OR REPAIR TO THE SATISFACTION OF THE ENGINEER PILES THAT ARE DAMAGED, DEFORMED OR COLLAPSED DURING INSTALLATION OR DRIVING.

PILE SPLICES SHALL BE IN ACCORDANCE WITH THE STANDARD SPECIFICATIONS AND AWS D1.1.

FOR CLOSED END PIPE PILES, REMOVE ALL SOIL AND WATER FROM INSIDE THE PILES JUST PRIOR TO PLACING REINFORCING STEEL AND CONCRETE FOR THE CONCRETE PLUG.

FORM THE CONCRETE PLUG SUCH THAT THE REINFORCING STEEL OR CONCRETE DOES NOT MOVE AND THE CLEARANCE FROM THE REINFORCING STEEL TO THE INSIDE OF THE PILE IS MAINTAINED AFTER CONCRETE PLACEMENT. DO NOT PLACE CONCRETE IN THE BENT CAP UNTIL THE CONCRETE PLUG HAS ATTAINED A MINIMUM COMPRESSIVE STRENGTH OF 1500 PSI.

THE REINFORCING STEEL, CONCRETE, AND GALVANIZING ARE CONSIDERED INCIDENTAL TO THE CONTRACT UNIT PRICE BID PER LINEAR FOOT FOR PP 18 X 0.50 GALVANIZED STEEL PILES.

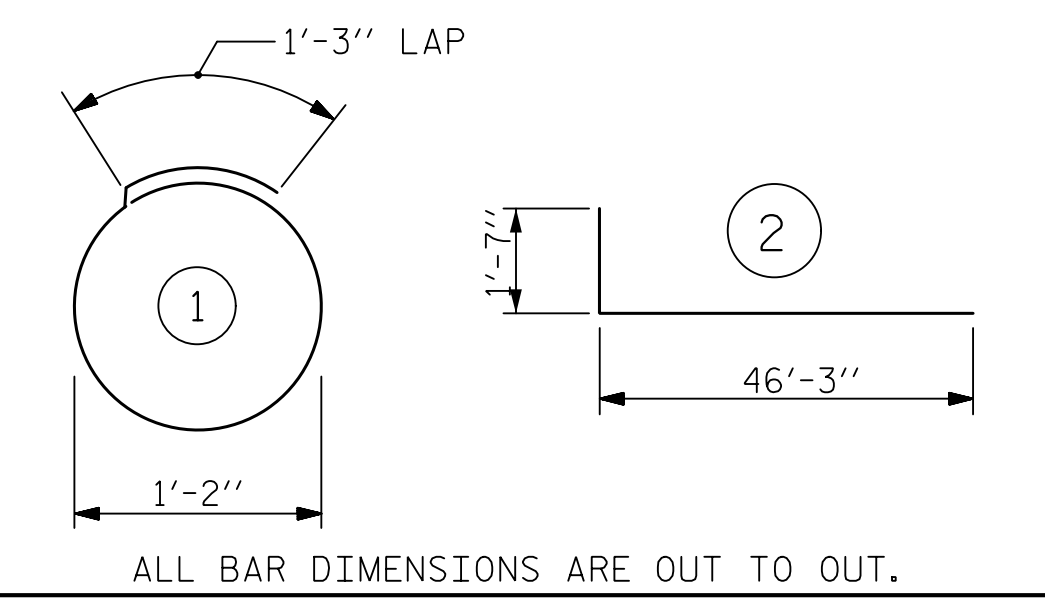
GALVANIZE THE TOP OF EACH INTERIOR PIER PILE A MINIMUM OF 45 FEET. GALVANIZE IN ACCORDANCE WITH SECTION 1076 OF THE STANDARD SPECIFICATIONS.

PLACE CAST-IN-PLACE CONCRETE WITH f'c = 2,500 PSI IN THE PIPE PILE FROM THE PIPE PILE PLATE UP TO THE BOTTOM OF THE REINFORCED CONCRETE PLUG.

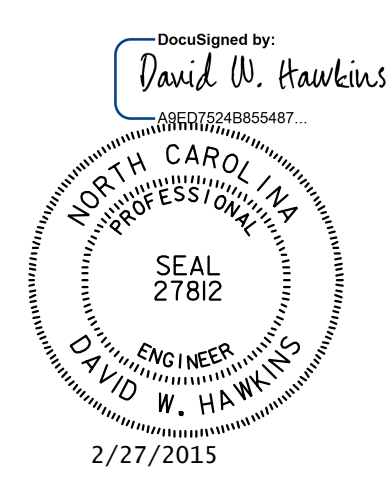
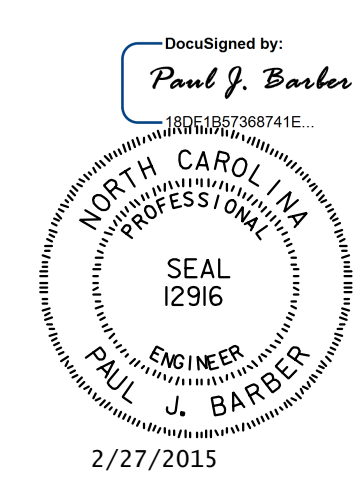
BILL OF MATERIAL FOR ONE PP 18 X 0.50 GALVANIZED STEEL PILE

BAR	NO.	SIZE	TYPE	LENGTH	WEIGHT	
S1	46	4	1	4'-11"	151	
V1	8	9	2	47'-10"	1,301	
ITEM					TOTAL	
REINFORCING STEEL					LBS.	1,452
CAST-IN-PLACE CONCRETE (4,000 PSI):						
45'-0" MINIMUM PLUG				CU. YDS.	2.6	
CAST-IN-PLACE CONCRETE (2,500 PSI):						
				CU. YDS.	X.X	

BAR TYPES



PROJECT NO. P-4900A
ROBESON COUNTY
STATION: POS 22+07.07 -L-
MILE POST: 0.23



STATE OF NORTH CAROLINA
DEPARTMENT OF TRANSPORTATION
RALEIGH
STANDARD
18" STEEL PIPE PILE

ASSEMBLED BY : M. WRIGHT	DATE : 10/14
CHECKED BY : D. RAGAN	DATE : 10/14
DRAWN BY : RWW 1/01	REV. 10/1/05 LBG/TLA
CHECKED BY : LES 1/01	REV. 5/1/06R MAA/KMM
	REV. 10/1/11 MAA/GM

HNTB		HNTB NORTH CAROLINA, P.C.	
License No. C-1554		343 E. Six Forks Rd., Suite 200, Raleigh, N.C. 27609	
DRAWN BY : M. WRIGHT	DATE : 10/14	DWG. NO. 18	
CHECKED BY : D. RAGAN	DATE : 10/14		

REVISIONS						SHEET NO.
NO.	BY:	DATE:	NO.	BY:	DATE:	S-18
1			3			TOTAL SHEETS
2			4			54