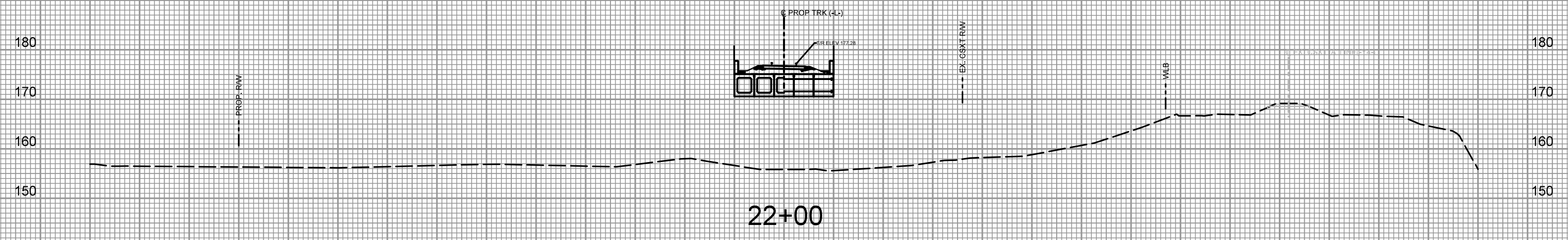
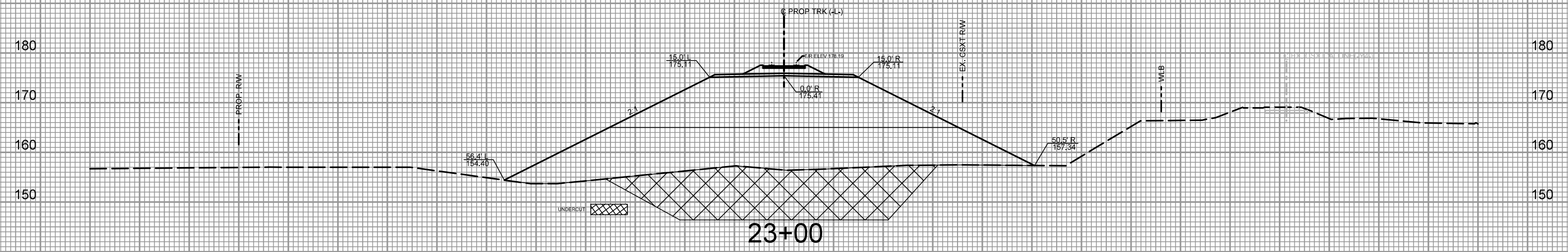
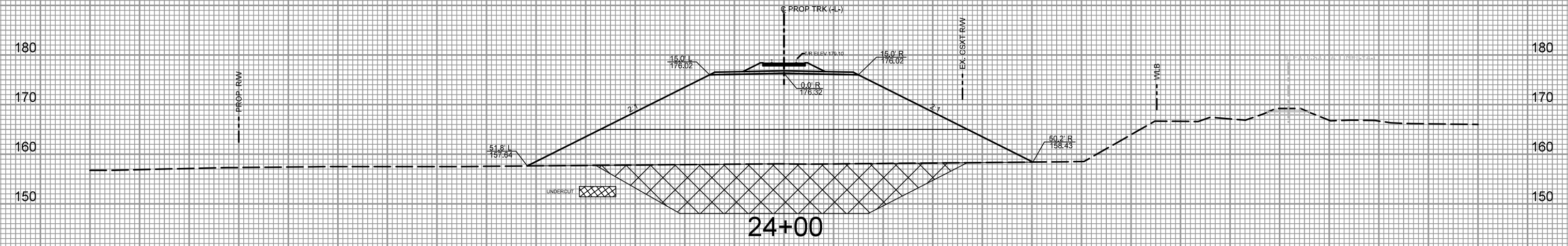




PROJ. REFERENCE NO.
P-4900A

SHEET NO.
X-8

140 130 120 110 100 90 80 70 60 50 40 30 20 10 0 10 20 30 40 50 60 70 80 90 100 110 120 130 140



11/08/00 AM
I:\Projects\Drawings\Drawings-X-4 thru X-46.dgn
X-46.dwg