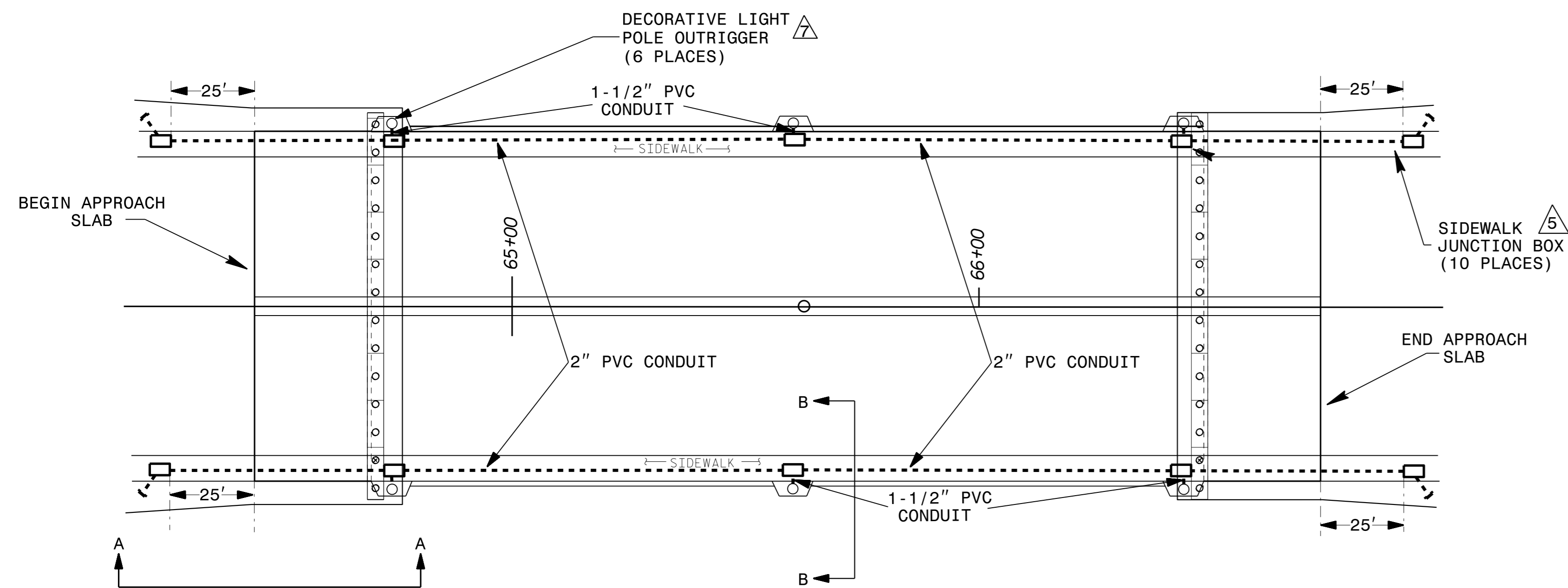
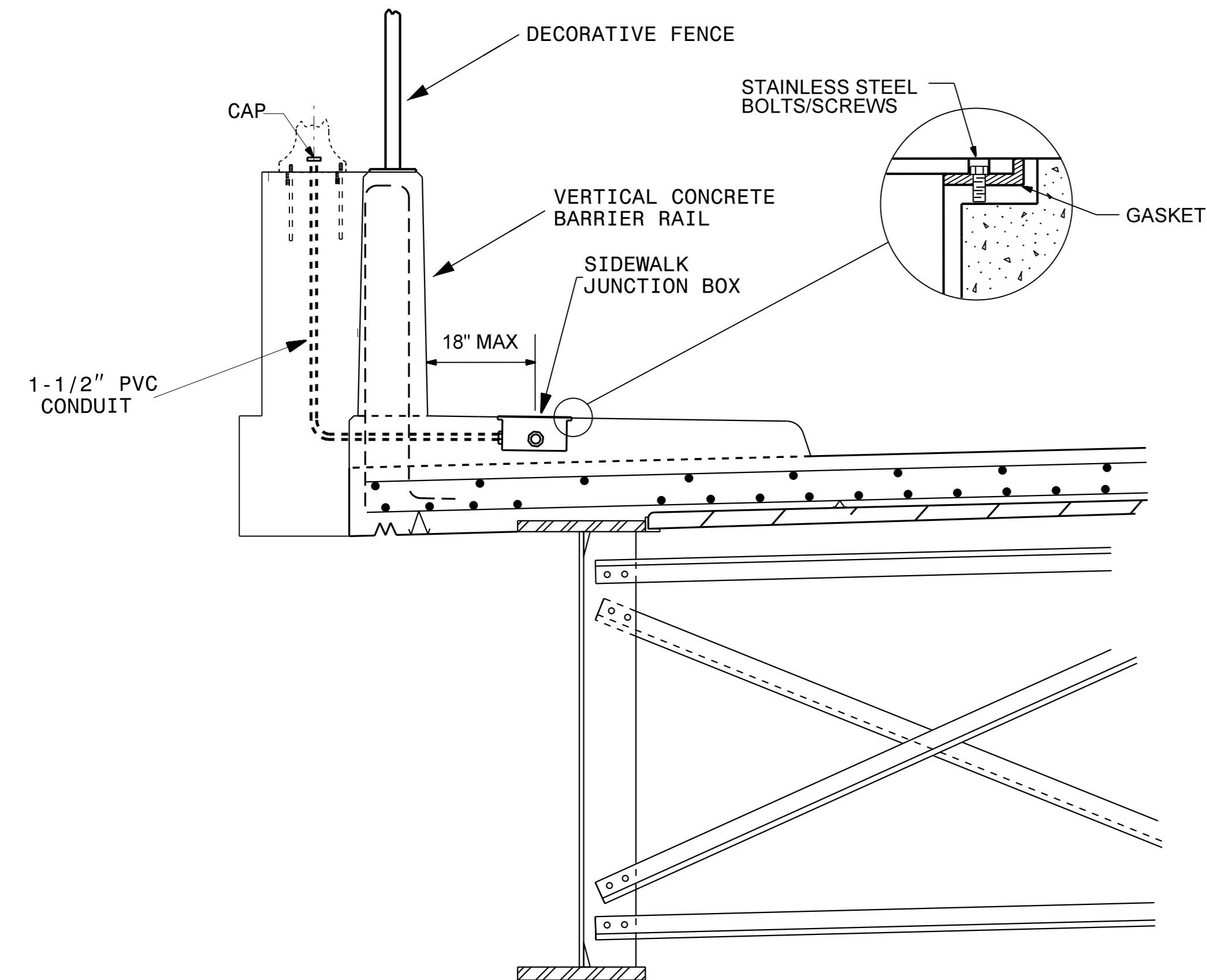


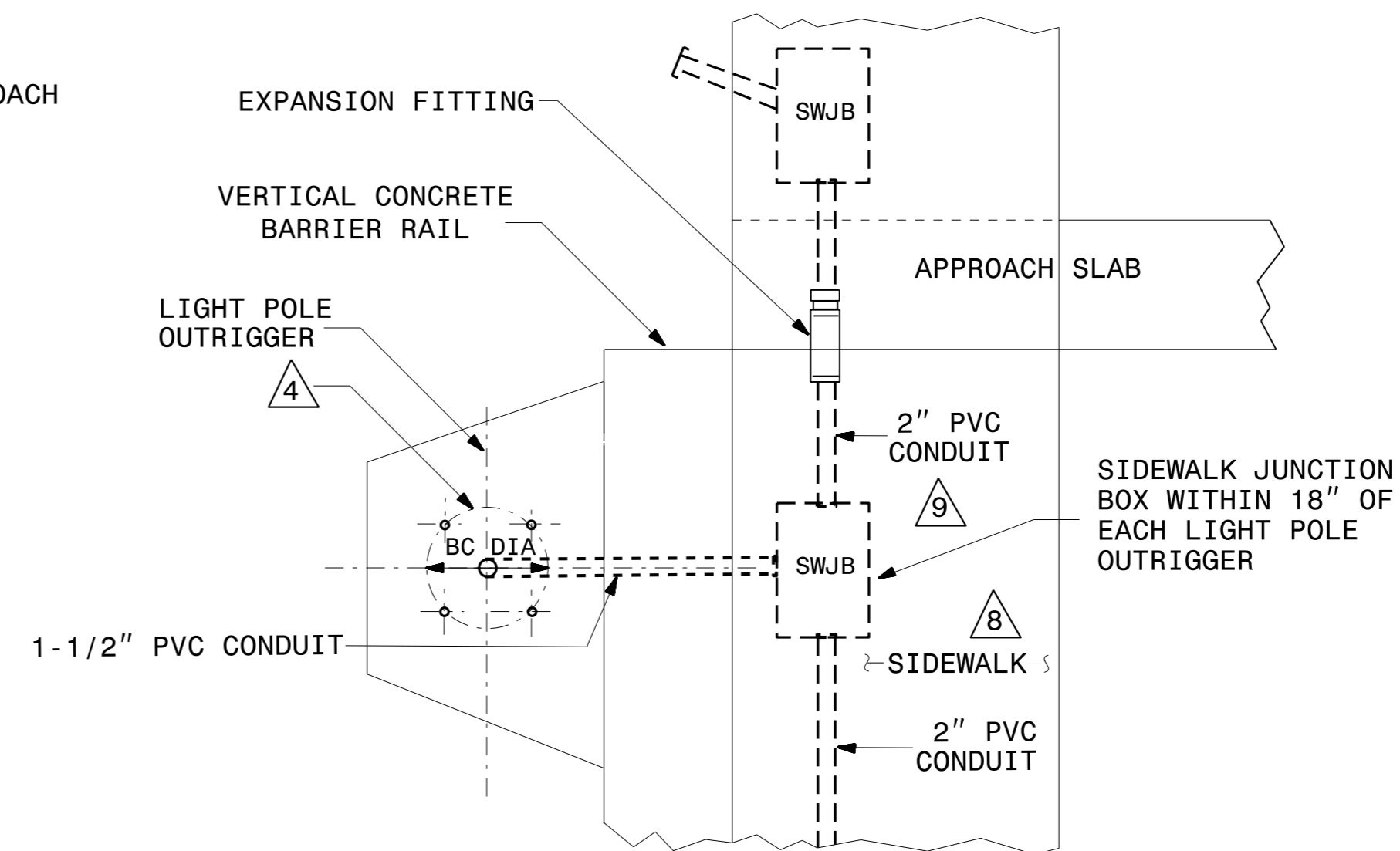
USE FOR LIGHTING CONSTRUCTION ONLY



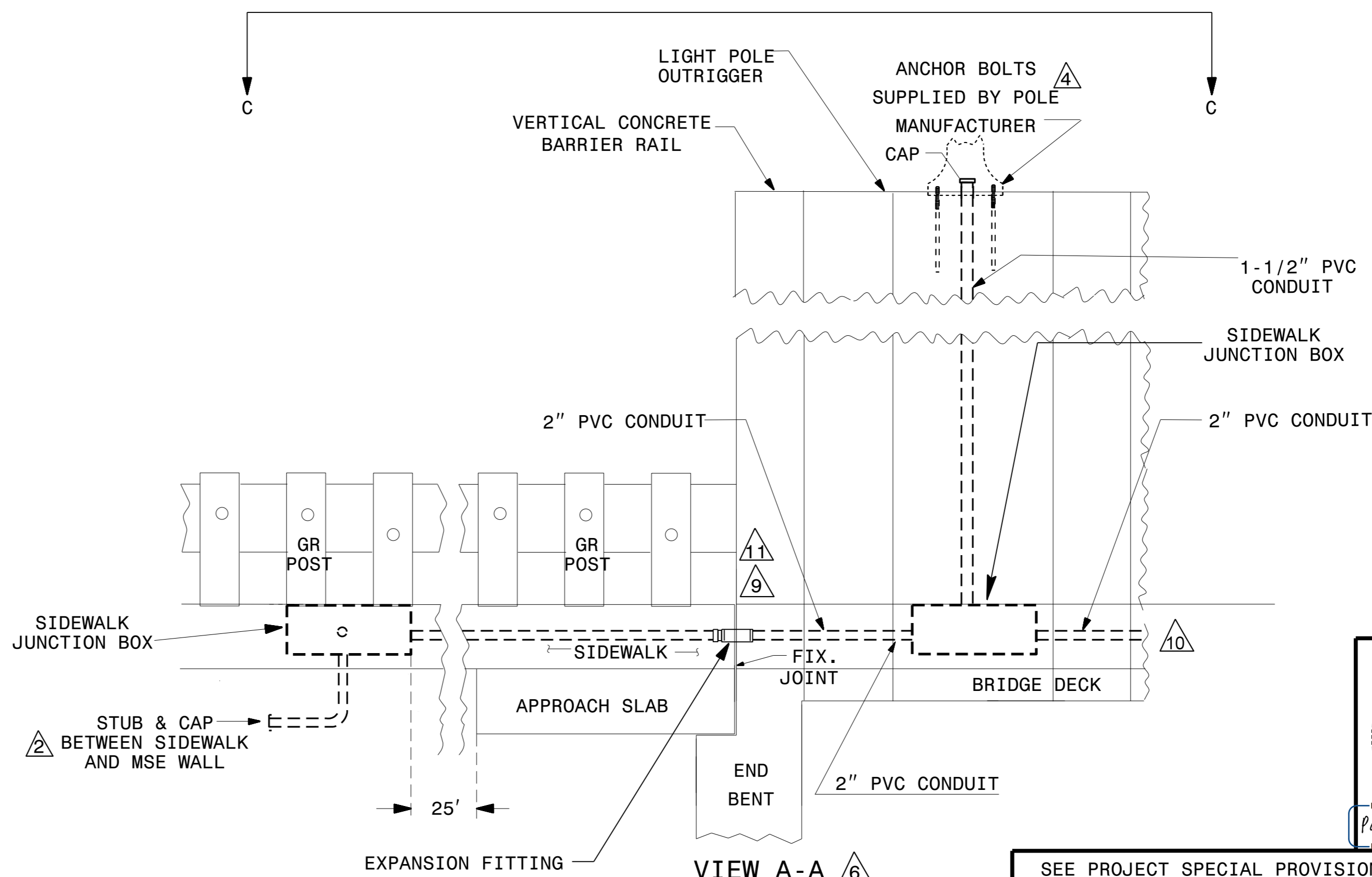
**CONDUIT SYSTEM LAYOUT
NTS**



VIEW B-B



VIEW C-C



VIEW A-A
FENCE, ON AND OFF THE BRIDGE,
NOT SHOWN FOR CLARITY

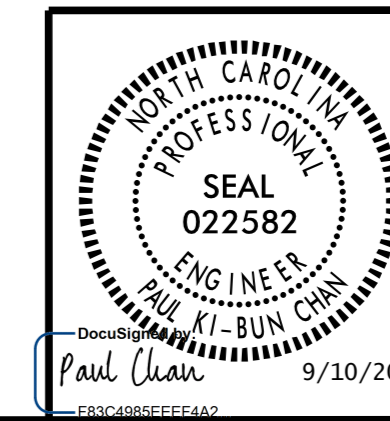
NOTES

1. COORDINATE POWER SERVICE WITH GREENVILLE UTILITIES.
2. COORDINATE CONNECTION OF CONDUIT WITH OTHERS.
3. SEE STRUCTURE PLANS FOR LOCATION OF LIGHT POLE OUTRIGGER.
4. CONTACT GREENVILLE UTILITIES FOR ANCHOR BOLT PATTERN FOR DECORATIVE POLE.
5. SIDEWALK JUNCTION BOX, SIZE 18"X12"X6", CAST IRON, WATER TIGHT
6. MIRROR DESIGN AT FOUR CORNERS OF STRUCTURE
7. LIGHT POLE OUTRIGGER SHOWN ON THIS SHEET IS FOR SCHEMATIC PURPOSES ONLY. SEE STRUCTURES PLANS FOR LIGHT POLE OUTRIGGER DESIGN.
8. REFER TO STRUCTURE PLANS FOR REBAR IN SIDEWALK.
9. PROVIDE EXPANSION FITTINGS WHERE APPROACH SLAB MEETS INTEGRAL END BENT.
10. MAINTAIN A MINIMUM CONCRETE ENCASED COVER OF 2.5" FOR CONDUIT
11. PROVIDE SUFFICIENT COVER TO ENSURE CONDUIT WILL NOT BE DAMAGED WHEN THE SIDEWALK IS SAW CUT.

DRAWN BY : A. BROWN DATE : _____
 CHECKED BY : _____ DATE : _____

PROJECT NO. U-3315
PITT COUNTY
 STATION: 65+56.61 -L-
16+96.14 -Y10-

STATE OF NORTH CAROLINA
 DEPARTMENT OF TRANSPORTATION
 RALEIGH
 DESIGN SERVICES - LIGHTING & ELECTRICAL
ELECTRICAL CONDUIT SYSTEM
 10TH STREET BRIDGE
 IN GREENVILLE



SEE PROJECT SPECIAL PROVISIONS TITLED "ELECTRICAL CONDUIT SYSTEM" FOR MATERIALS, CONSTRUCTION METHOD AND PAYMENT.

| REVISIONS | | | | | | SHEET NO. |
|-----------|-----|-------|-----|-----|-------|--------------|
| NO. | BY: | DATE: | NO. | BY: | DATE: | S23 |
| 1 | | | 3 | | | TOTAL SHEETS |
| 2 | | | 4 | | | 33 |