

**SUPERSTRUCTURE REINFORCING STEEL LENGTHS ARE BASED ON THE FOLLOWING MINIMUM SPLICE LENGTHS**

BAR SIZE	SUPERSTRUCTURE EXCEPT APPROACH SLABS, PARAPET, AND BARRIER RAIL		APPROACH SLABS		PARAPET AND BARRIER RAIL
	EPOXY COATED	UNCOATED	EPOXY COATED	UNCOATED	
#4	2'-0"	1'-9"	2'-0"	1'-9"	2'-9"
#5	2'-6"	2'-2"	2'-6"	2'-2"	3'-5"
#6	3'-0"	2'-7"	3'-10"	2'-7"	4'-4"
#7	5'-3"	3'-6"			
#8	6'-10"	4'-7"			

**GROOVING BRIDGE FLOORS**

APPROACH SLABS	2,700 SQ.FT.
BRIDGE DECK	9,630 SQ.FT.
TOTAL	12,330 SQ.FT.

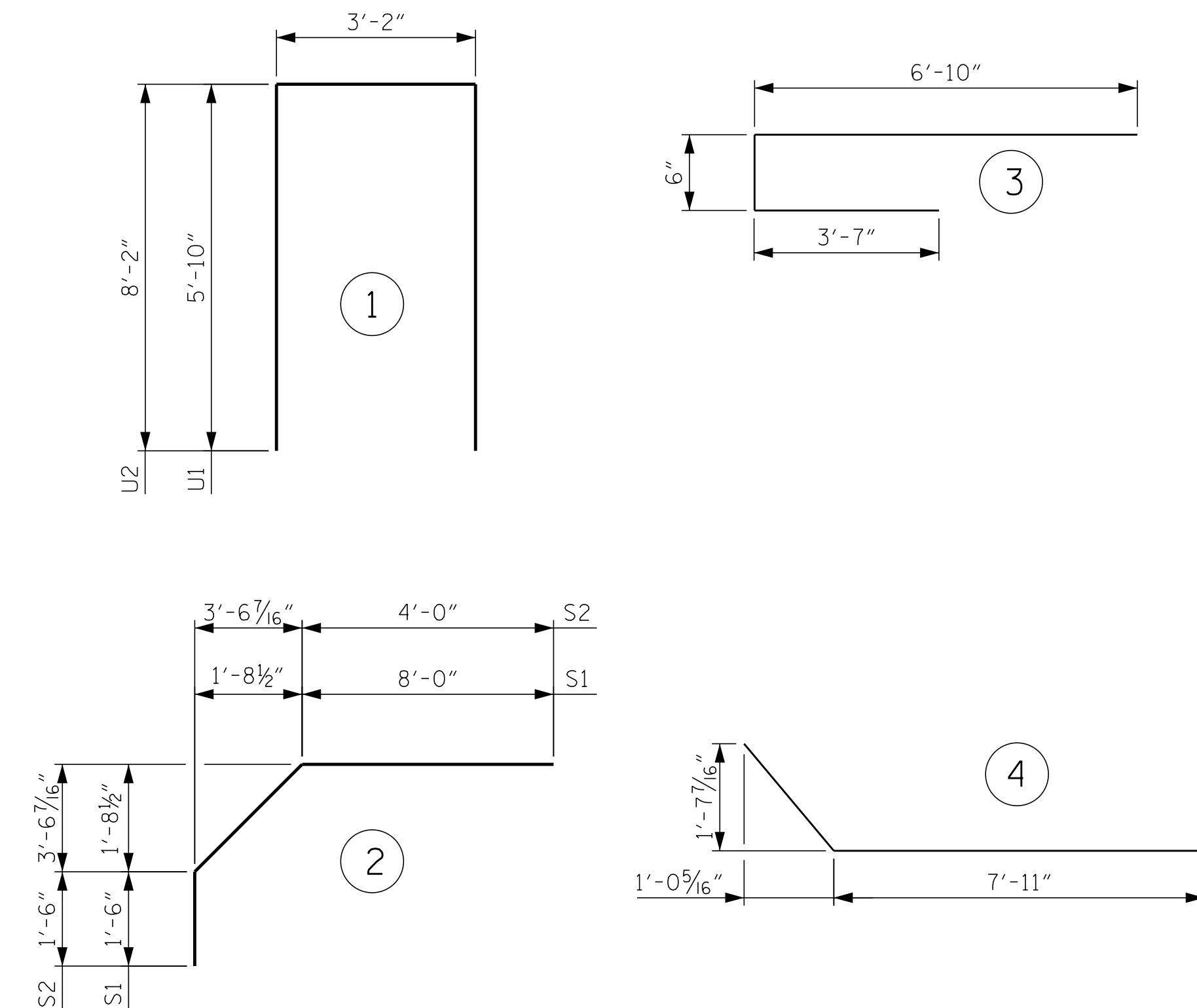
**BILL OF MATERIAL**

**SUPERSTRUCTURE**

BAR	NO.	SIZE	TYPE	LENGTH	WEIGHT
*A1	714	5	STR	39'-9"	29,602
A2	714	5	STR	39'-7"	29,478
*B1	208	4	STR	29'-1"	4,041
*B2	206	7	STR	36'-0"	15,158
B3	368	5	STR	46'-2"	17,720
P1	48	6	3	10'-11"	787
P2	24	6	4	9'-10"	354
P3	12	5	STR	3'-7"	45
*P4	12	5	STR	3'-0"	38
*P5	12	5	STR	2'-5"	30
K1	28	5	STR	42'-10"	1,251
K2	8	5	STR	4'-2"	35
S1	148	4	2	11'-11"	1,178
S2	148	4	2	10'-6"	1,038
U1	152	5	1	14'-10"	2,352
U2	16	5	1	19'-6"	325

\* = EPOXY COATED REINFORCING STEEL

**BAR TYPES**

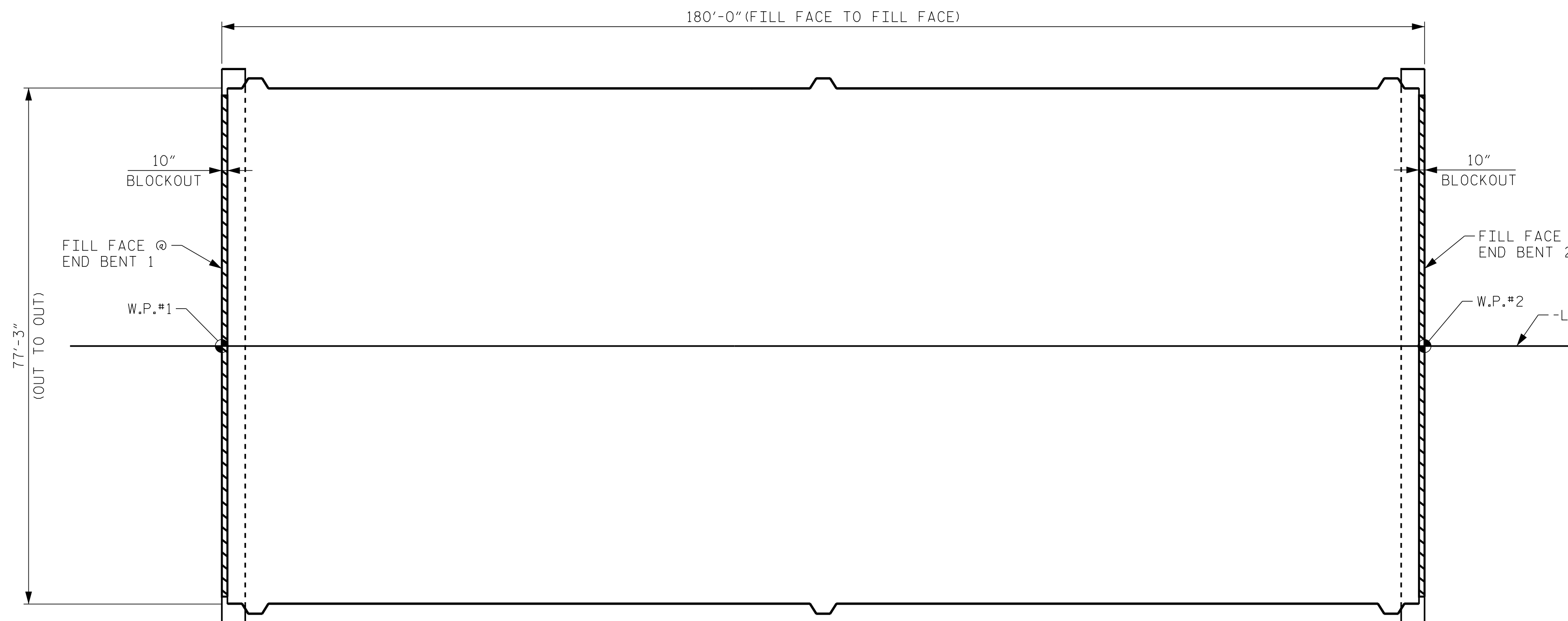


ALL BAR DIMENSIONS ARE OUT TO OUT

**SUPERSTRUCTURE BILL OF MATERIAL**

	CLASS AA CONCRETE (CU.YDS.)	REINFORCING STEEL (LBS.)	EPOXY COATED REINFORCING STEEL (LBS.)
SPAN A		51,161	52,271
POUR #1	256.3		
POUR #2	119.0		
POUR #3	178.2		
TOTALS**	553.5	51,161	52,271

\*\*QUANTITIES FOR BARRIER RAIL, SIDEWALK, & MEDIAN ARE NOT INCLUDED



**LAYOUT FOR COMPUTING AREA REINFORCED CONCRETE DECK SLAB (SQ. FT. = 13,932)**

NOTE: THE COST OF THE UPPER PORTION OF THE INTEGRAL END BENTS ABOVE THE CONSTRUCTION JOINT SHALL BE INCLUDED IN THE UNIT PRICE FOR REINFORCED CONCRETE DECK SLAB.



DocuSigned by: Cecil L. Narron 9/15/2014

**Kimley»Horn**

333 Fayetteville Street, Suite 600  
Raleigh, NC 27601-1772  
Phone (919) 835-1494

STATE OF NORTH CAROLINA  
DEPARTMENT OF TRANSPORTATION  
RALEIGH  
STANDARD  
SUPERSTRUCTURE  
BILL OF MATERIAL

REVISIONS						SHEET NO.
NO.	BY:	DATE:	NO.	BY:	DATE:	S-20
1			3			TOTAL SHEETS
2			4			33

STD. NO. BOM1

ASSEMBLED BY : JIK	DATE : 9/14
CHECKED BY : JCW	DATE : 9/14
DRAWN BY : JMB 5/87	REV. 8/16/99 RWW/LES
CHECKED BY : SJD 9/87	REV. 5/1/06 TLA/GM
	REV. 10/11/11 MAA/GM