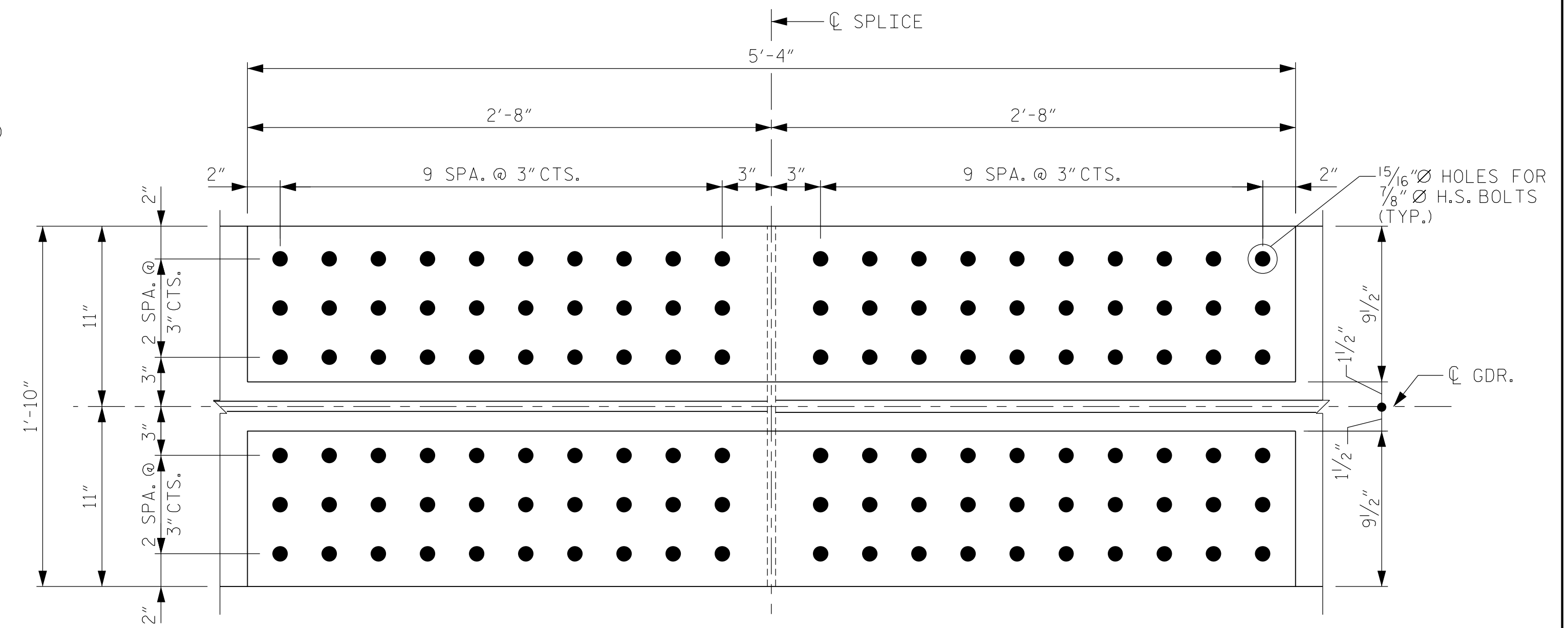
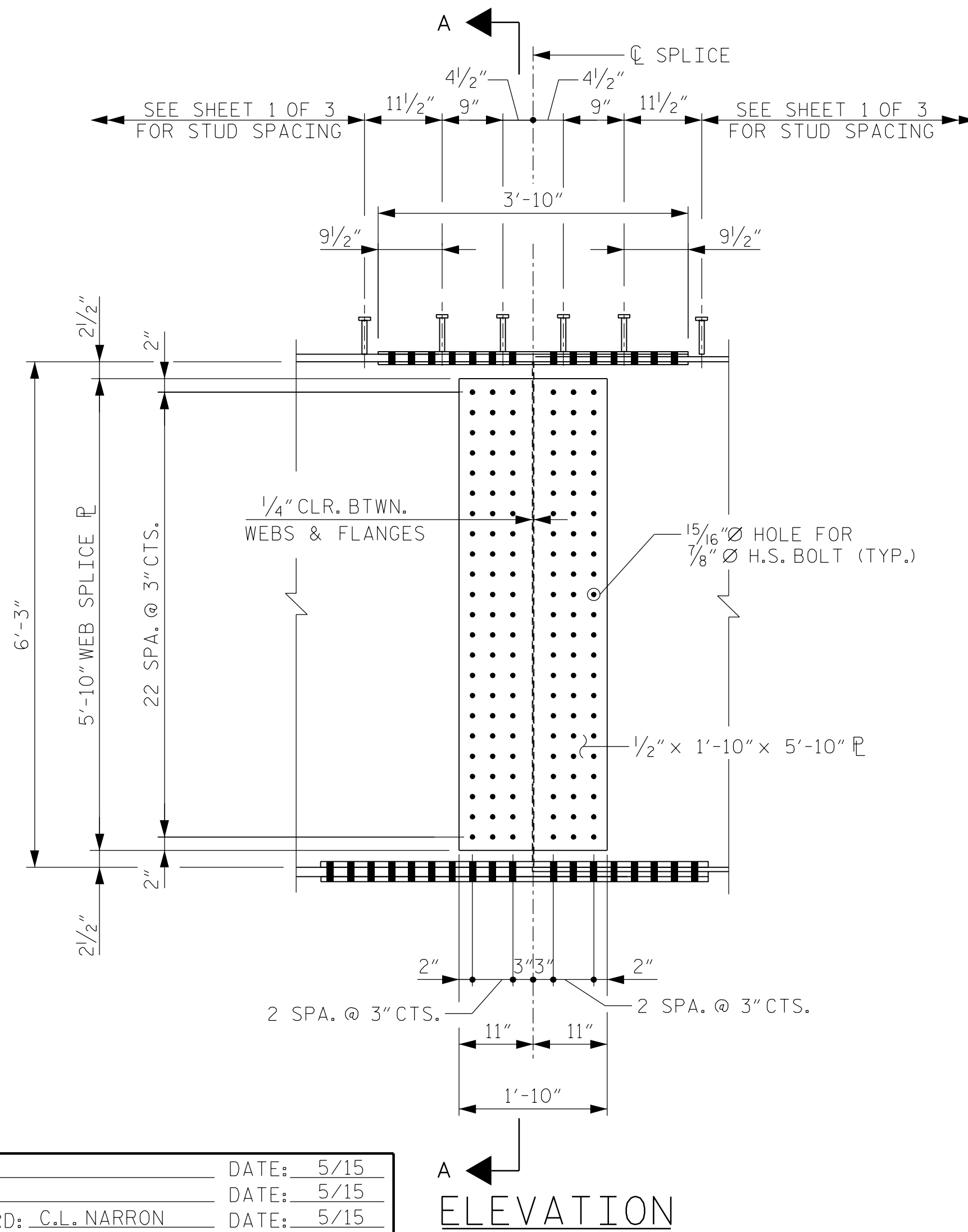


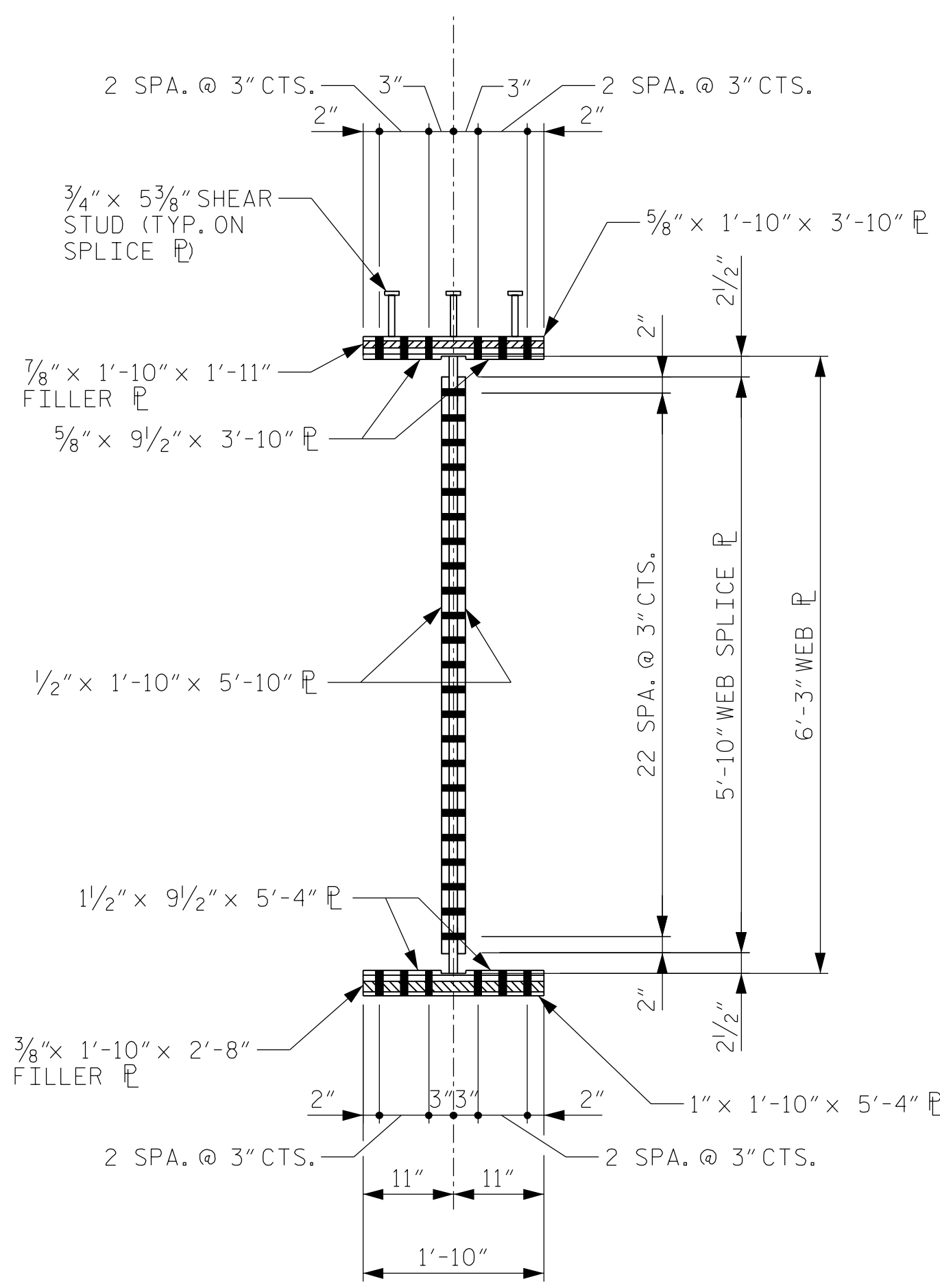
PLAN (TOP OF TOP FLANGE)



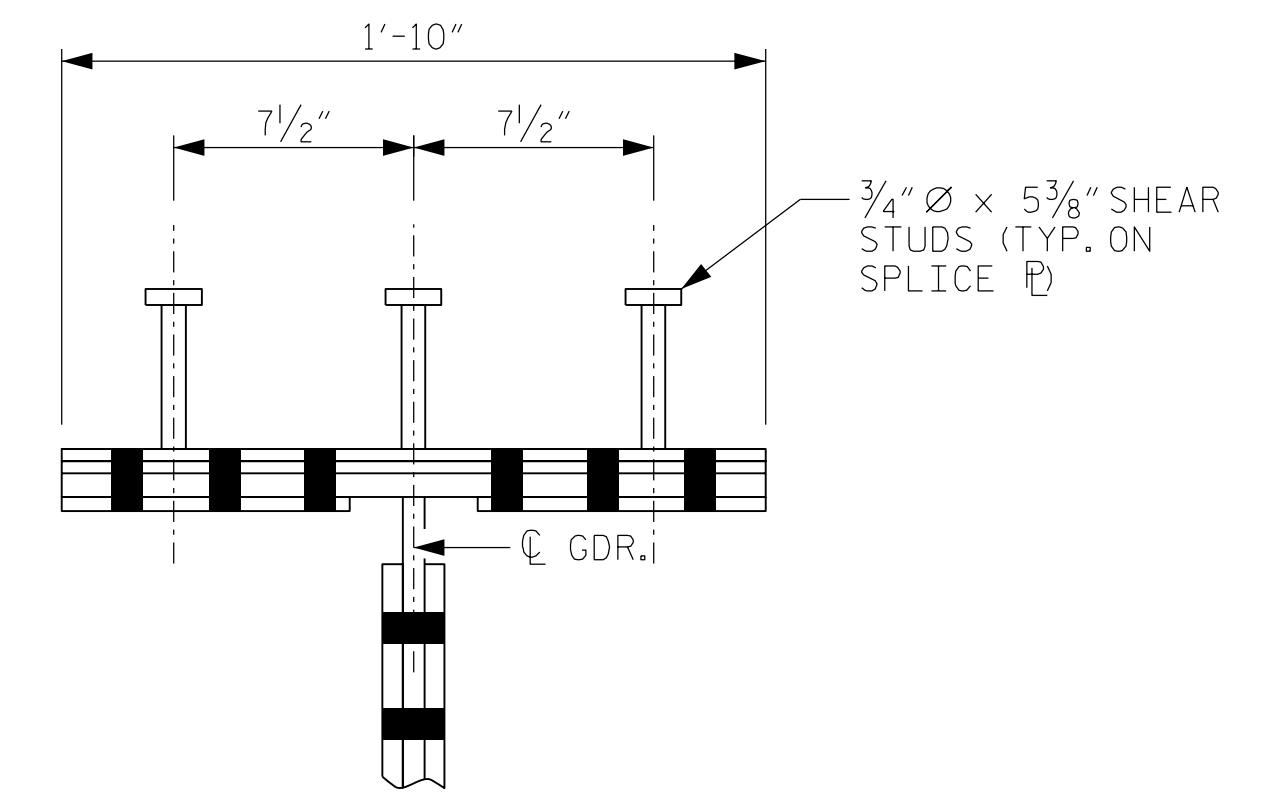
PLAN (TOP OF BOTTOM FLANGE)



ELEVATION



SECTION A-A



SHEAR STUD DETAIL FOR TOP FLANGE SPLICE PLATE

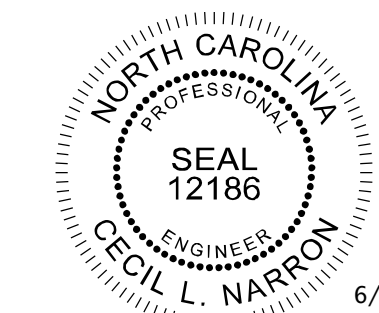
(SHEAR STUDS ARE TO BE SHOP WELDED ON TOP OF PLATE BEFORE FIELD ASSEMBLY)

PROJECT NO. U-3315

PITT COUNTY

STATION: 65+56.61 -L-  
16+96.14 -Y10-

SHEET 3 OF 3



Designed by:  
**Cecil Narron**  
C198A3D45024DD

**Kimley»Horn**  
333 Fayetteville Street, Suite 600  
Raleigh, NC 27601-1772  
Phone (919) 835-1494  
NC LICENSE # F-0102

STATE OF NORTH CAROLINA  
DEPARTMENT OF TRANSPORTATION  
RALEIGH  
SUPERSTRUCTURE  
STRUCTURAL  
STEEL DETAILS

REVISIONS						SHEET NO. S-13
NO.	BY:	DATE:	NO.	BY:	DATE:	
1			3			TOTAL SHEETS 33
2			4			

K:\B01\_Structures\Bridges\NC\011036175\_U3315-10th-St\_Greenville\Cad\egm\33.dgn

DRAWN BY: J. I. KIMBLE DATE: 5/15  
CHECKED BY: J. C. WILSON DATE: 5/15  
DESIGN ENGINEER OF RECORD: C.L. NARRON DATE: 5/15

This document, together with the concepts and designs presented herein, is an instrument of service. It is prepared for the specific project and client for which it is prepared. It is not to be used for any other project or client without written authorization and approval by Kimley-Horn and Associates, Inc. shall be without liability to Kimley-Horn and Associates, Inc.  
Copyright Kimley-Horn and Associates, Inc., 2014