

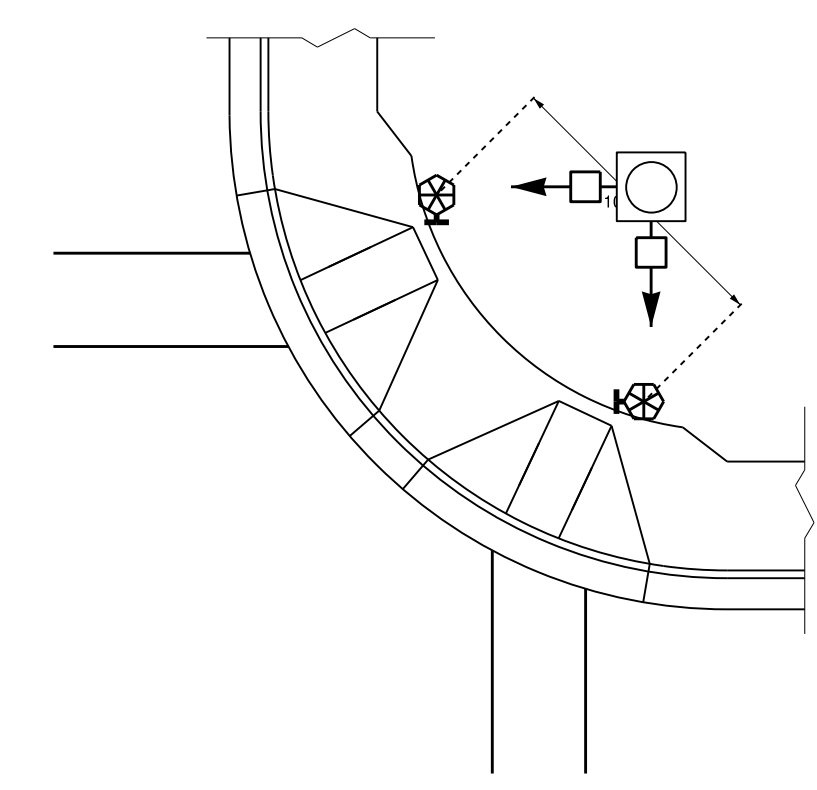
STATE OF NORTH CAROLINA
DEPT. OF TRANSPORTATION
DIVISION OF HIGHWAYS
RALEIGH, N.C.

06-14

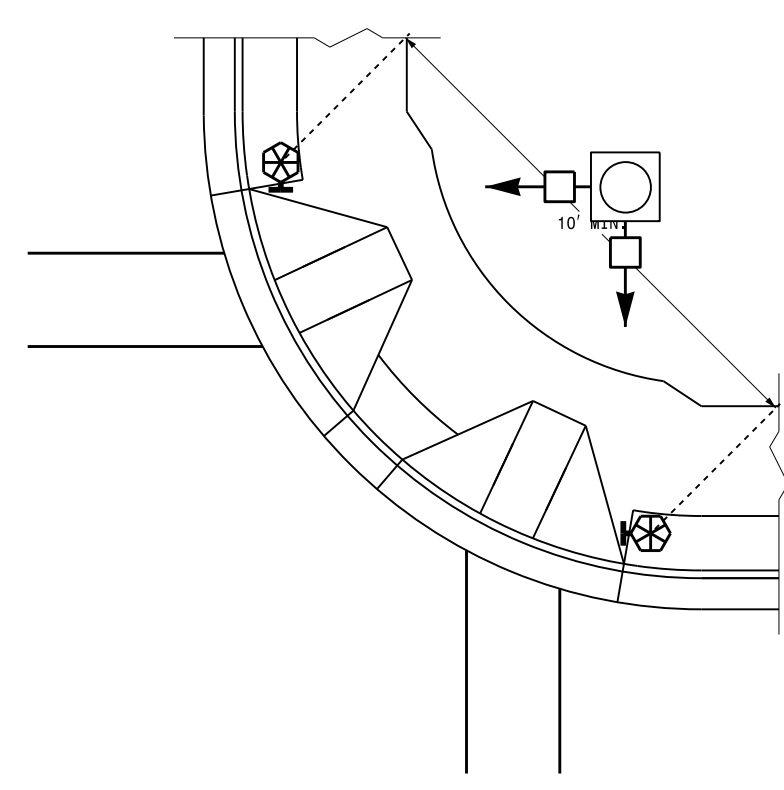
ENGLISH DETAIL DRAWING FOR
PEDESTRIAN PUSHBUTTON LOCATIONS
PLACEMENT DETAIL

SHEET 2 OF 3
1705D01

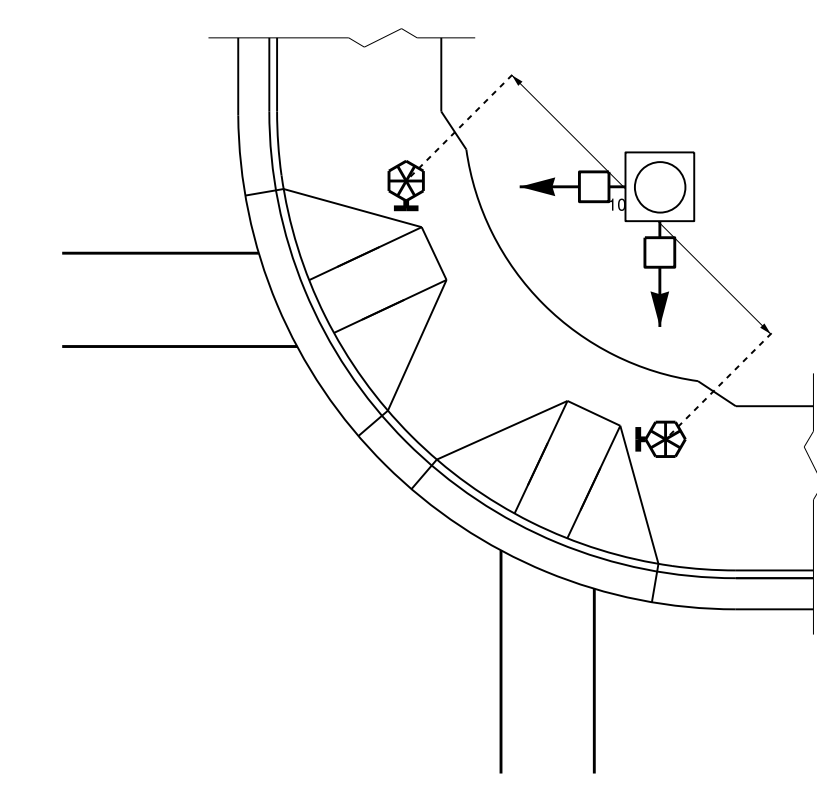
TYPICAL PUSHBUTTON LOCATIONS (CASE I)
SEPARATE CURB RAMPS W/ TYPE I PEDESTALS



BACK OF SIDEWALK IS WITHIN 10' OF CURB OR PAVEMENT/SHOULDER



GRASS STRIP PLACEMENT IF BACK OF SIDEWALK EXCEEDS 10' FROM CURB OR PAVEMENT/SHOULDER



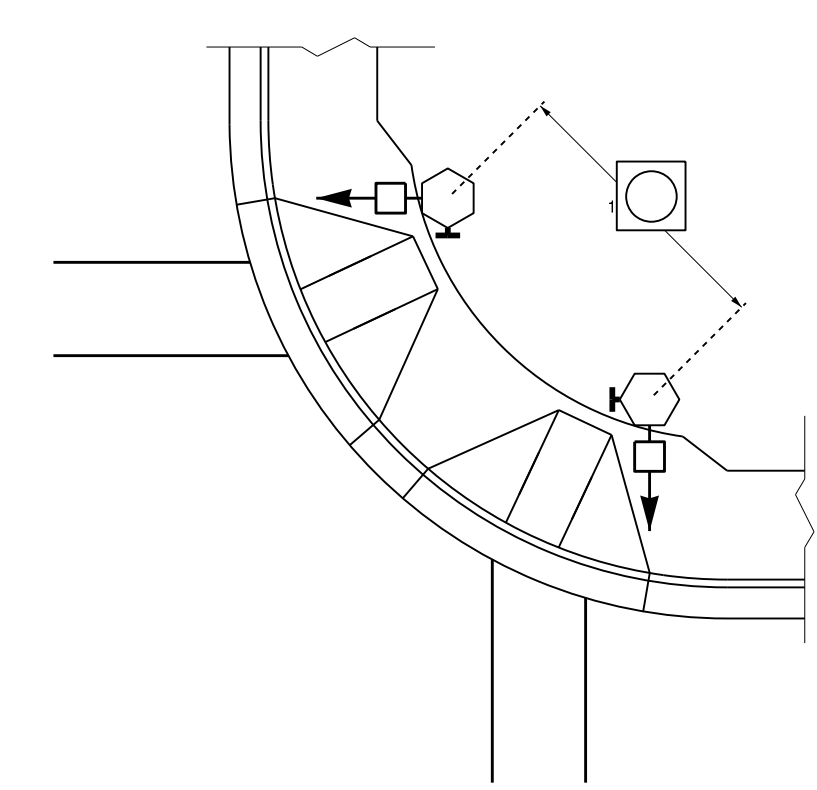
PUSHBUTTON PLACEMENT IN WIDE SIDEWALK

PROPOSED

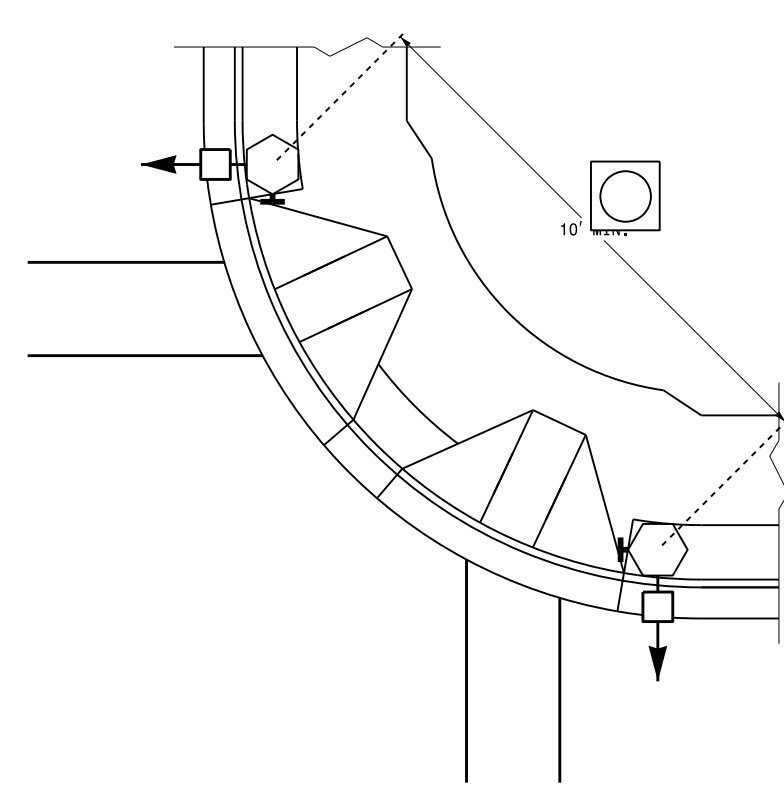
- Signal Pole
- Type I Pushbutton Post
- Type II Signal Pedestal
- Pushbutton & Sign
- Pedestrian Signal Head
- Curb Ramp
- Pushbutton Location Area

LEGEND

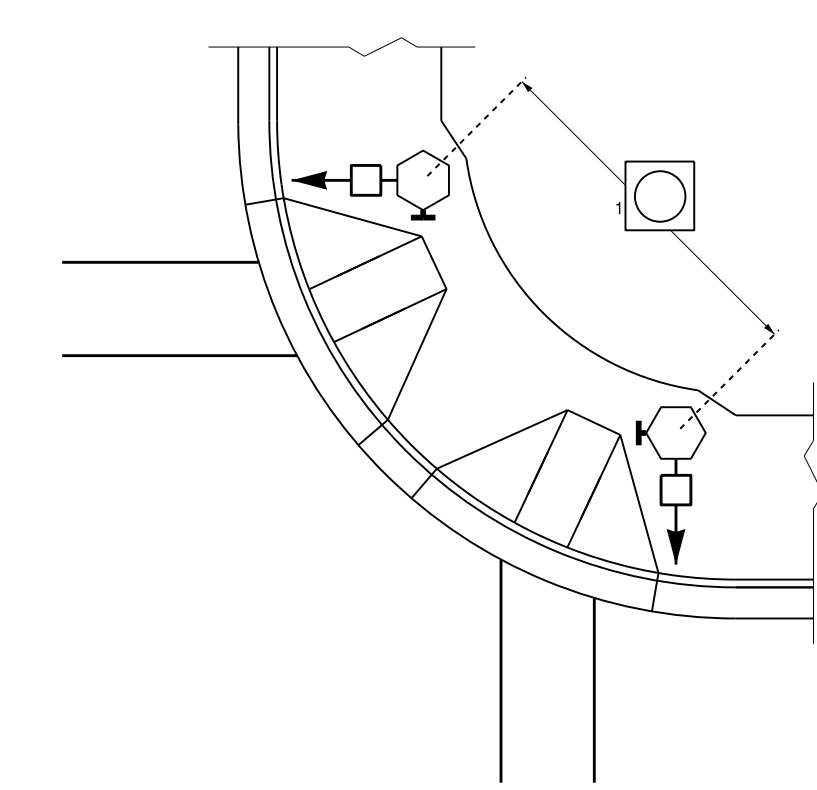
TYPICAL PUSHBUTTON LOCATIONS (CASE II)
SEPARATE CURB RAMPS W/ TYPE II PEDESTALS



BACK OF SIDEWALK IS WITHIN 10' OF CURB OR PAVEMENT/SHOULDER

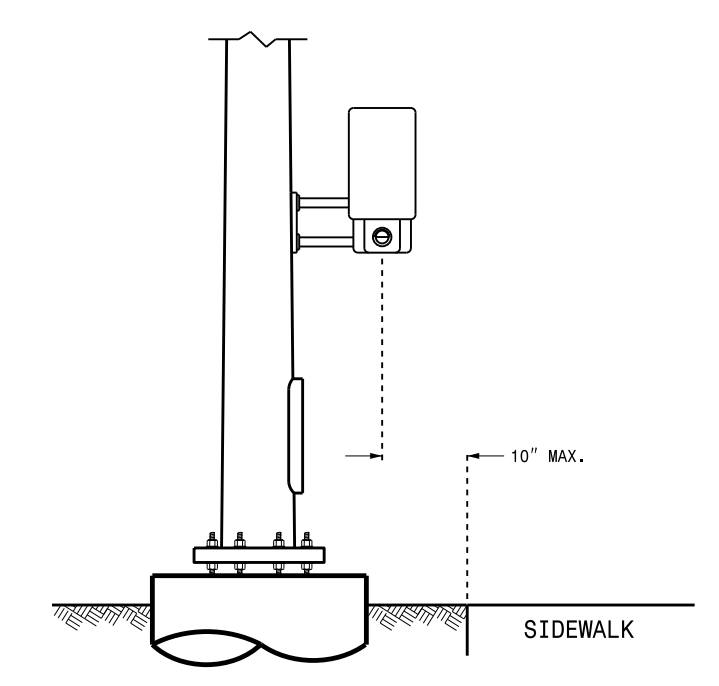


GRASS STRIP PLACEMENT IF BACK OF SIDEWALK EXCEEDS 10' FROM CURB OR PAVEMENT/SHOULDER



PUSHBUTTON PLACEMENT IN WIDE SIDEWALK

OPTIONAL PUSHBUTTON EXTENSION
FACE OF PUSHBUTTON PARALLEL TO APPLICABLE CROSSWALK



STATE OF NORTH CAROLINA
DEPT. OF TRANSPORTATION
DIVISION OF HIGHWAYS
RALEIGH, N.C.

06-14

ENGLISH DETAIL DRAWING FOR
PEDESTRIAN PUSHBUTTON LOCATIONS
PLACEMENT DETAIL

SHEET 2 OF 3
1705D01

See Plate for Title

Prepared in the Offices of:

750 N. Greenfield Parkway
Garner, NC 27529

SEAL

DocuSigned by:

188B486274X404

SIGNATURE

6/17/2014
DATE

06-1406-2014.r16.r38
 S:\1705D01\SIGNAL Design Section\Central Region\Rob's Files\Red State\Pushbutton Drawings\Pushbutton Place Drawings\20140617.dgn
 rz1emba