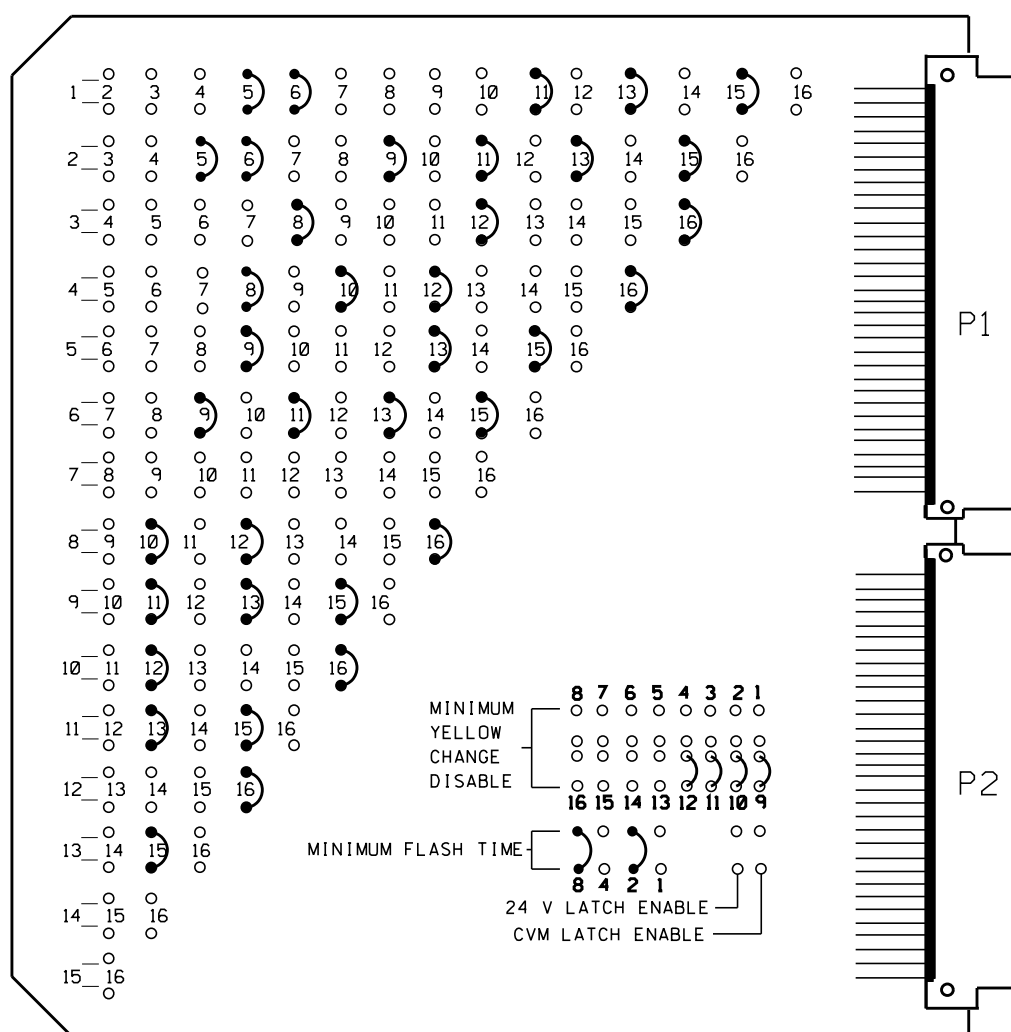


EDI MODEL MMU2-16LE MALFUNCTION MANAGEMENT UNIT PROGRAMMING DETAIL

(program card and tables as shown below)



MMU PROGRAMMING CARD

CHANNEL NUMBER	ENABLE/DISABLE
1	ENABLE
2	ENABLE
3	ENABLE
4	ENABLE
5	ENABLE
6	ENABLE
7	DISABLE
8	ENABLE
9	ENABLE
10	ENABLE
11	ENABLE
12	ENABLE
13	ENABLE
14	DISABLE
15	ENABLE
16	ENABLE

OPTION	SETTING
RECURRENT PULSE	ON
WALK DISABLE	OFF
LOG CVM FAULTS	ON
EXTERN WATCHDOG	OFF
24V-2=12VDC	OFF
PGM CARD MEMORY	ON
LEDgaurd	ON
FORCE TYPE 16	OFF
TYPE12-SDLC	OFF
VM 3x/Day Latch	ON

FLASHING YELLOW ARROW	
CONFIG MODE	A
ENABLE CHANNEL PAIR, FYA	
CH 1-9	ON
CH 3-10	OFF
CH 5-11	ON
CH 7-12	OFF
RED/YEL INPUT ENABLE	
CH 1-9	OFF
CH 3-10	OFF
CH 5-11	OFF
CH 7-12	OFF
FLASH RATE FAULT	OFF
FYA TRAP DETECT	OFF

MMU PROGRAMMING NOTE
ENSURE YELLOW CHANGE PLUS RED CLEARANCE MONITORING IS ENABLED FOR ALL CHANNELS.

NOTES

- To prevent "Flash-conflict" problems, wire all unused load switches to flash red. Verify that signal heads flash in accordance with the signal plans.
- To prevent red failures on unused monitor channels, tie unused load switch red outputs 7 and 14 to load switch AC+ by inserting a jumper plug in the unused load switch socket from pin 1 (LS AC+) to pin 3 (red out). Make sure all flash transfer relays are in place.
- Program controller to start up in phases 2 and 6 green.
- Set power-up flash time to 10 seconds and implement on the Malfunction Management Unit. Set controller power-up flash time to 0 seconds.
- Enable simultaneous gap-out feature, on controller unit, for all phases.
- Program detectors in accordance with the manufacturer's instructions to accomplish the detection schemes shown on the signal design plans.
- Program detector call delay and extension timing on the controller, unless otherwise specified.
- Set all detector card unit channels to "presence" mode.
- This controller and cabinet are part of the Greenville Signal System.

SIGNAL HEAD HOOK-UP CHART

PHASE	1	2	3	4	5	6	7	8	2 PED	4 PED	6 PED	8 PED	OLA	OLB	OLC	OLD		
SIGNAL HEAD NO.	11★	83	21,22 23	22	32	42,43, 44	51★	61,62 63	NU	81,82 83	P21, P22	P41, P42	P61, P62	P81, P82	11★	NU	51★	41★
RED	*	2R		4R	*	6R	8R											
YELLOW		2Y		4Y	*	6Y	8Y											
GREEN		2G		4G		6G	8G											
RED ARROW				3R										13R	15R	16R		
YELLOW ARROW		1Y	3Y	3Y										13Y	15Y	16Y		
FLASHING YELLOW ARROW														13G	15G	16G		
GREEN ARROW	1G	1G	3G	3G		5G												
Hand icon										9R	10R	11R	12R					
Person icon										9G	10G	11G	12G					

NU = Not Used

*Denotes install load resistor, see load resistor installation detail this sheet.
★See pictorial of head wiring detail this sheet.

DETECTOR RACK SET-UP DETAIL

INSERT DETECTOR CARDS IN RACK ACCORDING TO THE DETAIL SHOWN BELOW. PARTICULAR DETECTOR CHANNELS WILL CALL PHASES INDICATED.

DETECTOR RACK #1	CHI	CHI	CHI	CHI	CHI	CHI	CHI	CHI	SLOT	SLOT	SLOT
BIU	L3	L1	L7	L5	L11	L9	L15	L13			
	Ø1	Ø1	Ø3	Ø2	Ø5	Ø4	Ø8	Ø6			
	CH2	CH2	CH2	CH2	CH2	CH2	CH2	CH2	EMPTY	EMPTY	EMPTY
	L4	L2	L8	L6	L12	L10	L16	L14			
	NOT USED	Ø6	NOT USED	Ø2	Ø4	NOT USED	NOT USED				

DETECTOR RACK #2	CHI	CHI	CHI	CHI
BIU	SLOT	SLOT	SLOT	SLOT
	EMPTY	EMPTY	EMPTY	EMPTY

WIRE LOOPS TO TERMINALS ON LOOP PANEL AS SHOWN IN THE CHART BELOW

LOOP NO.	LOOP PANEL TERMINALS	NOTE
1A	L1A, L1B L2A, L2B	ADD JUMPERS FROM L1A TO L2A AND L1B TO L2B
1B	L3A, L3B	
2A, 2B	L4A, L4B L5A, L5B	ADD JUMPERS FROM L11A TO L12A AND L11B TO L12B
3A	L6A, L6B L7A, L7B	
4A	L8A, L8B L9A, L9B	
4B	L10A, L10B	
5A	L11A, L11B L12A, L12B	
6A, 6B	L13A, L13B L14A, L14B	
8A	L15A, L15B L16A, L16B	
NU	L17A, L17B L18A, L18B	
NU	L19A, L19B L20A, L20B	
NU	L21A, L21B L22A, L22B	
NU	L23A, L23B L24A, L24B	

NU = NOT USED

NOTE
BE SURE TO PROGRAM DETECTOR TYPES AND TIMERS (EXTEND AND DELAY) AS SHOWN ON THE SIGNAL PLANS.

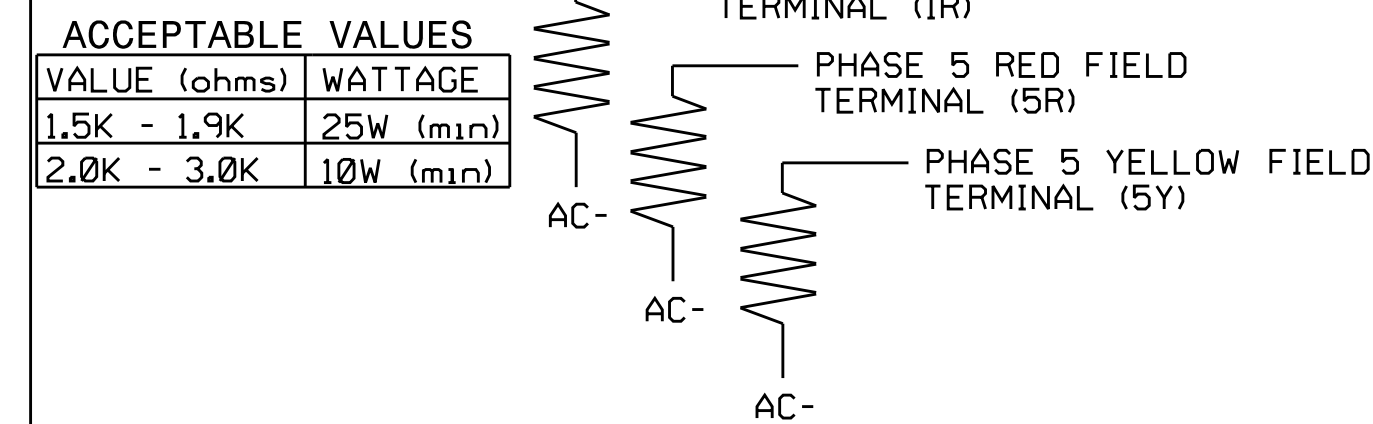
PROGRAM CONTROLLER DETECTORS ACCORDING TO THE SCHEDULE SHOWN IN THE CHART BELOW

CONTROLLER DETECTOR NO.	FUNCTION	TIMING	
		FEATURE	TIME(SEC)
1	Ø1	DELAY	15
2	Ø6	-	-
3	Ø1	DELAY	15
4	-	-	-
5	Ø2	-	-
6	Ø2	-	-
7	Ø3	-	-
8	-	-	-
9	Ø4	-	-
10	Ø4	DELAY	10
11	Ø5	DELAY	15
12	Ø2	-	-
13	Ø6	-	-
14	Ø6	-	-
15	Ø8	-	-
16	-	-	-
17	-	-	-
18	-	-	-
19	-	-	-
20	-	-	-
21	-	-	-
22	-	-	-
23	-	-	-
24	-	-	-

EQUIPMENT INFORMATION

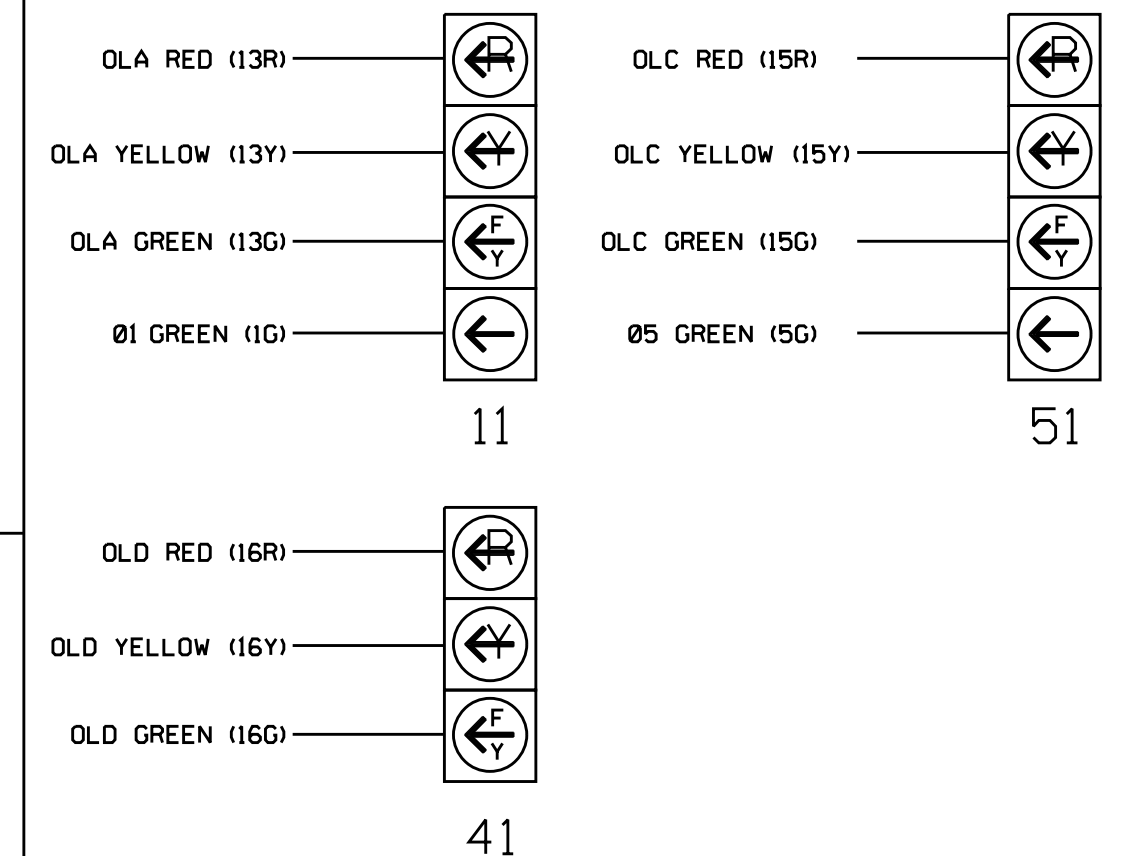
CONTROLLER.....ASC/3
CABINETNC-8A TS-2
SOFTWAREECONOLITE ASC/ 2070
CABINET MOUNT.....BASE
LOADBAY POSITIONS.....16
LOAD SWITCHES USED.....1,2,3,4,5,6,8,9,10,11,12,13,15,16
PHASES USED.....1,2,2PED,3,4,4PED,5,6,6PED,8,8PED
OLA.....*
OLB.....NONE
OLC.....*
OLD.....*
* See Sheet 2 of 2 Econolite ASC/2070 Overlap Programming Detail.

LOAD RESISTOR INSTALLATION DETAIL



4 SECTION FYA PPLT SIGNAL WIRING DETAIL

(wire signal heads as shown)



NOTE

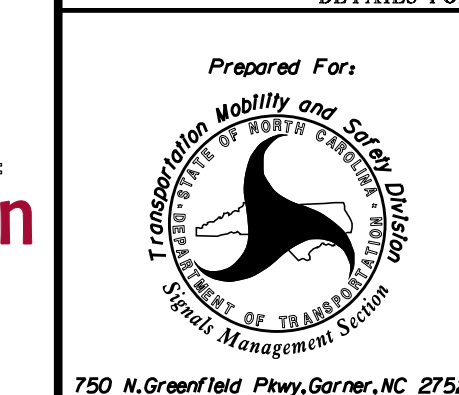
1. SEE OVERLAP PROGRAMMING INSTRUCTIONS SHEET 2 OF 2.

THIS ELECTRICAL DETAIL IS FOR THE SIGNAL DESIGN: 02-0893T3
DESIGNED: JUNE 2014
SEALED: 9/2/2014
REVISED: N/A

TEMPORARY DESIGN 3 - TMP PHASE 3

SHEET 1 OF 2

ELECTRICAL AND PROGRAMMING DETAILS FOR:



PLANS PREPARED IN THE OFFICE OF:
Kimley-Horn
NC License #F-0102
P.O. Box 33068
Raleigh, NC 27636
(919) 617-2000

10th STREET AT SR 1703 (14TH STREET)		SEAL	
DIVISION 2	PITT COUNTY	GREENVILLE	
PLAN DATE: JUNE 2014	REVIEWED BY: SL PHILLIPS		
PREPARED BY: SP PENNINGTON	REVIEWED BY:		
REVISIONS	INIT.	DATE	
DocuSigned by: Stacie Phillips		9/2/2014	
SIGNATURE		DATE	
SIG. INVENTORY NO. 02-0893T3			