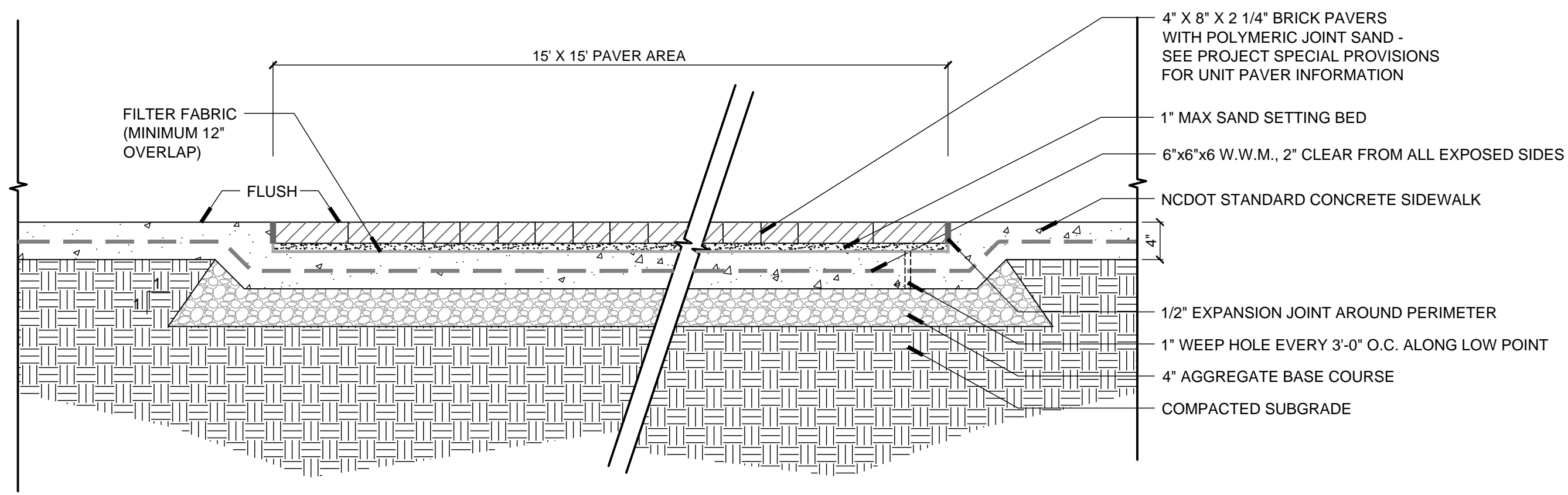
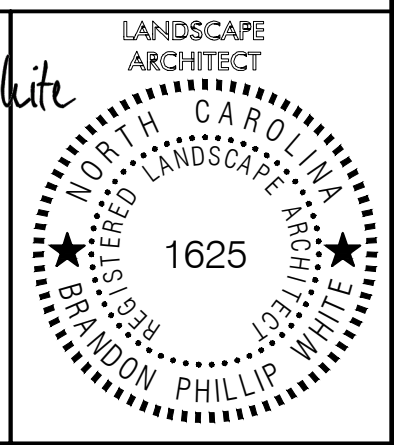


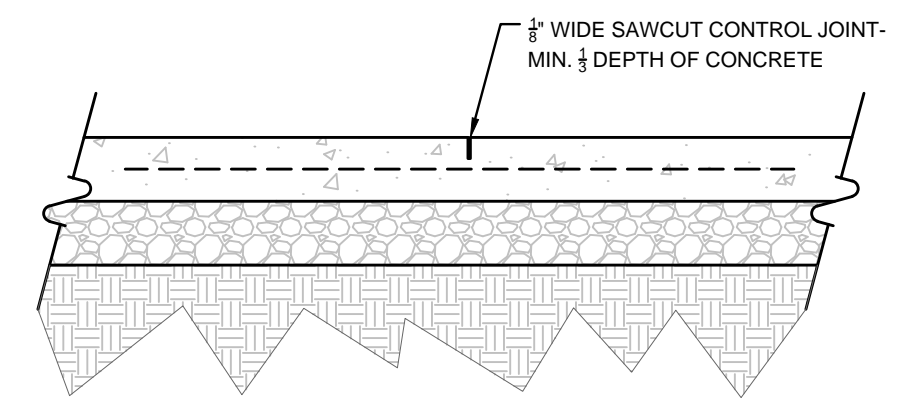
PROJECT REFERENCE NO.	SHEET NO.
U-3315	LD 2
R/W SHEET NO.	
DocuSigned by: <i>Brandon P. White</i>	LANDSCAPE ARCHITECT
9931B1C7B2D44DE...	1625
5/8/2015	
RIGHT-OF-WAY REV.	
CONST. REV.	

Kimley»Horn
 Kimley-Horn
 and Associates, Inc.
 P.O. BOX 33068
 RALEIGH, N.C. 27636

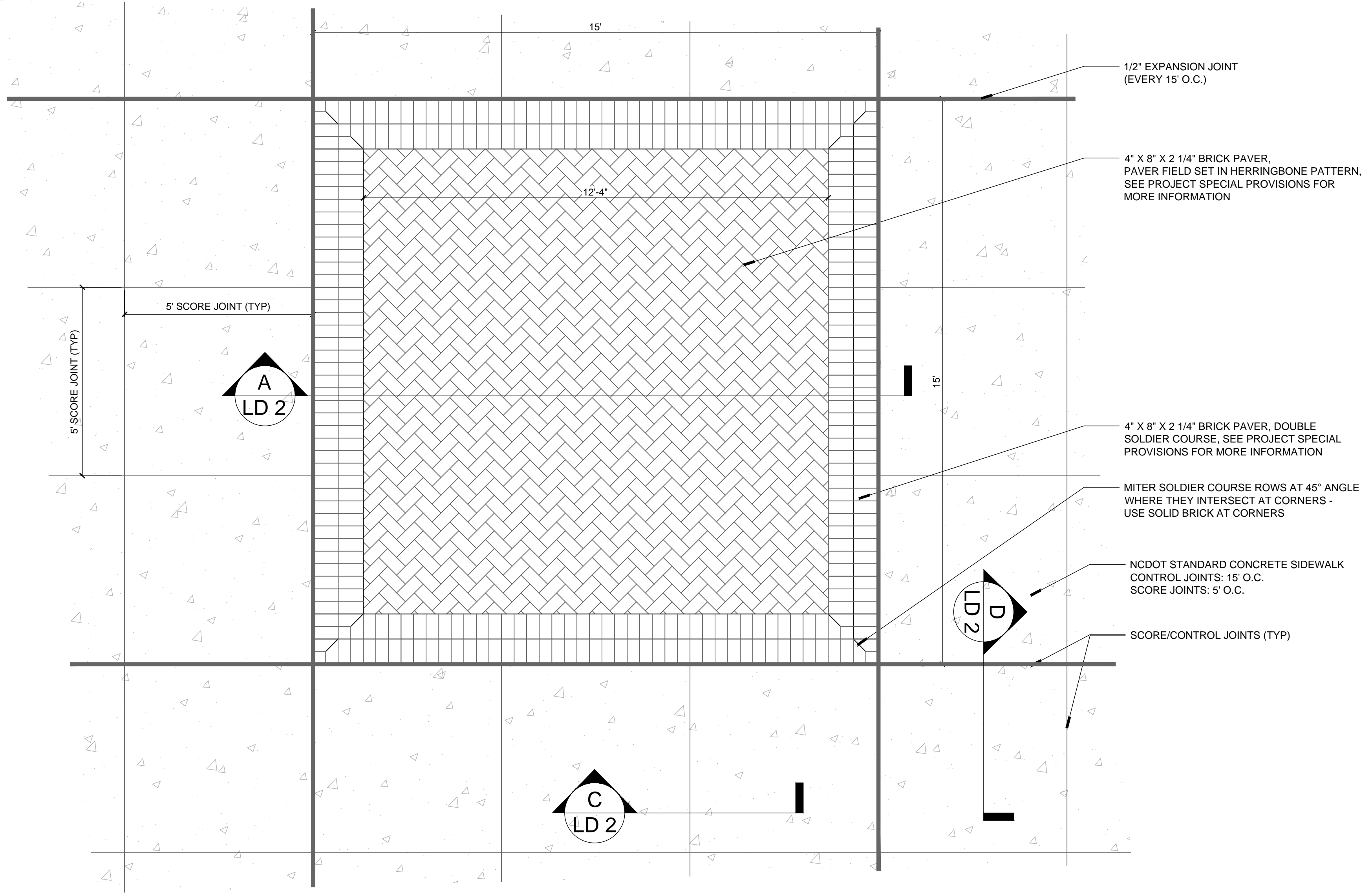


A PAVER INSET DETAIL
 LD 2 SCALE: 1" = 1'-0"

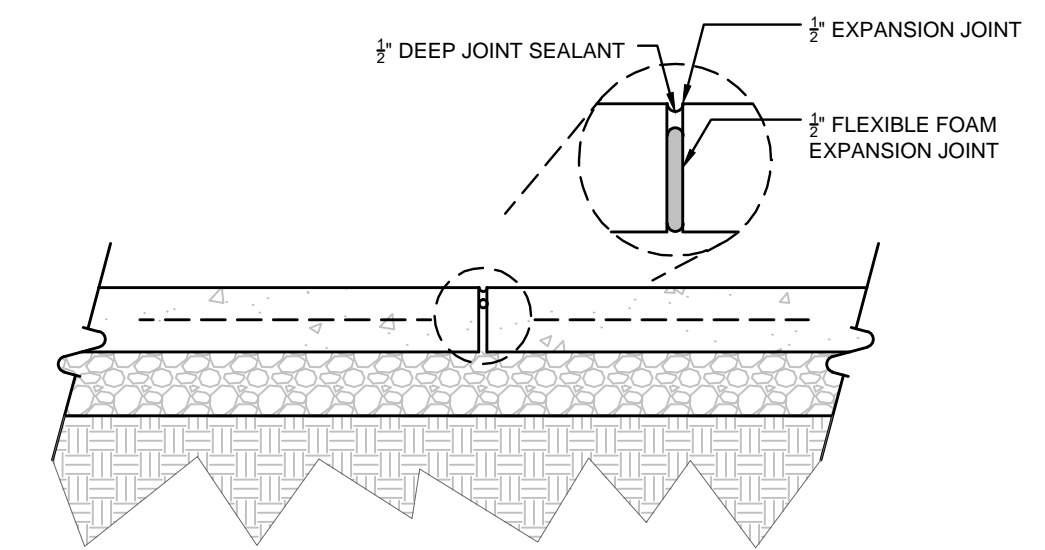
CONTROL JOINT NOTE:
 SEE HARDSCAPE PLANS FOR LOCATIONS AND PATTERN



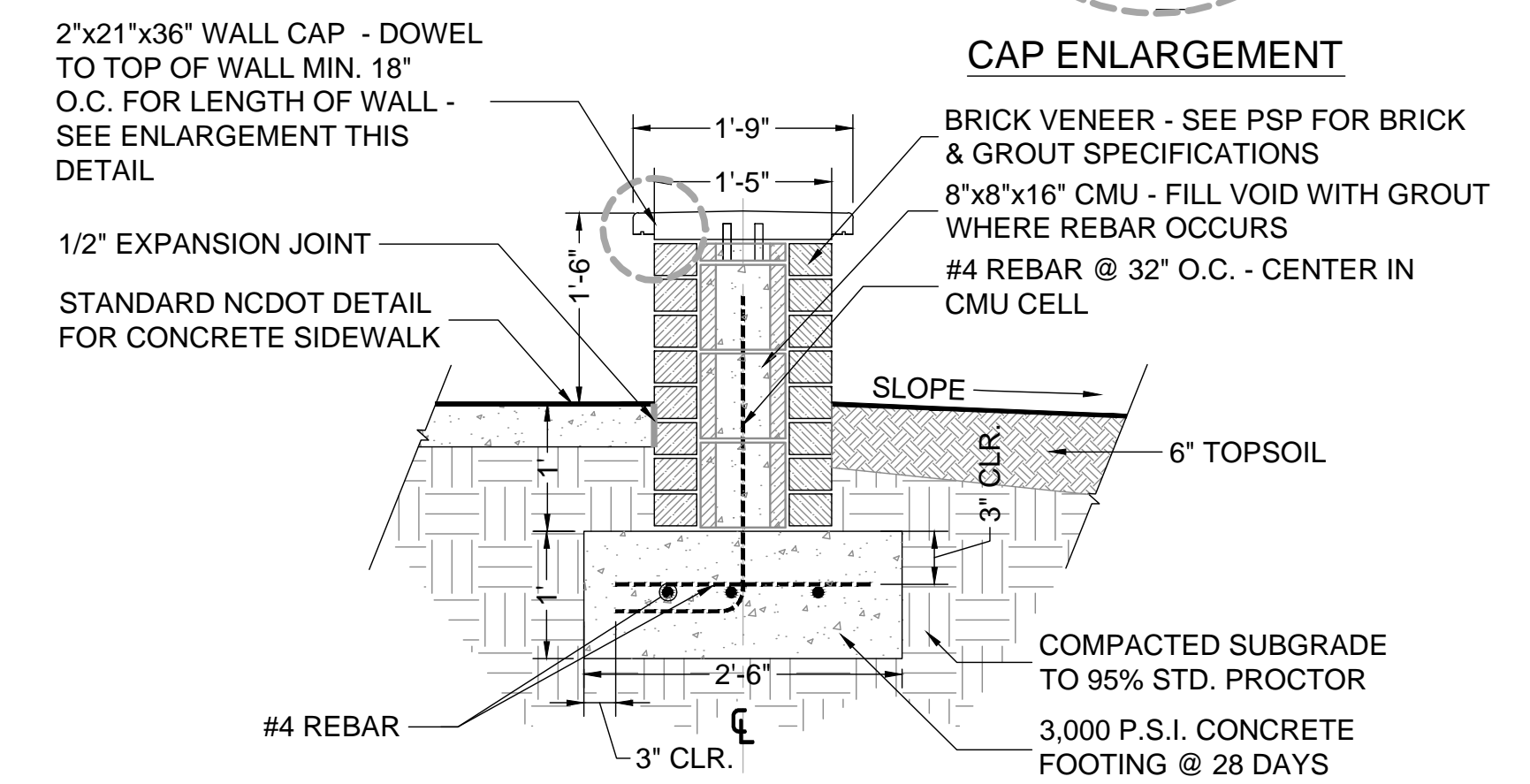
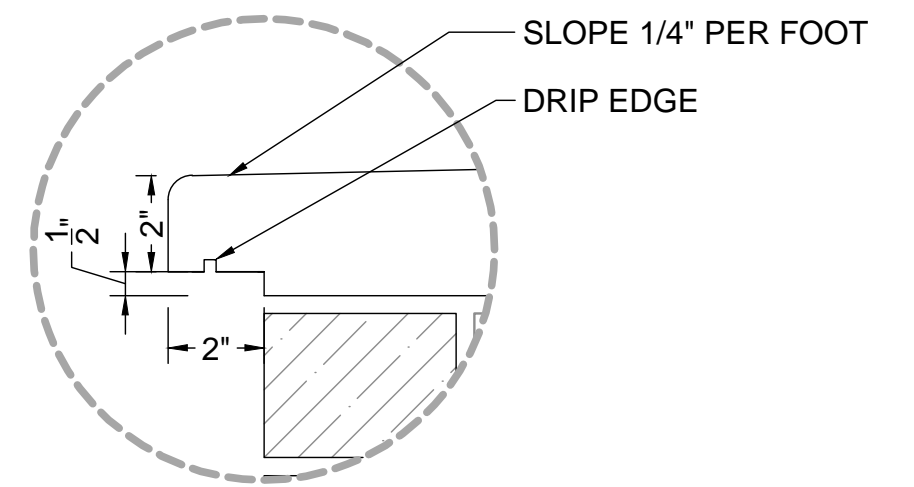
C CONCRETE CONTROL JOINT
 LD 2 SCALE: 1" = 1'



B PAVER INSET PLAN
 LD 2 SCALE: 1" = 1/2"



D CONCRETE EXPANSION JOINT
 LD 2 SCALE: 1" = 1'-0"



E LOW WALL WITH BRICK VENEER
 LD 2 SCALE: 3/4" = 1'-0"

REVISIONS

05-08-2015