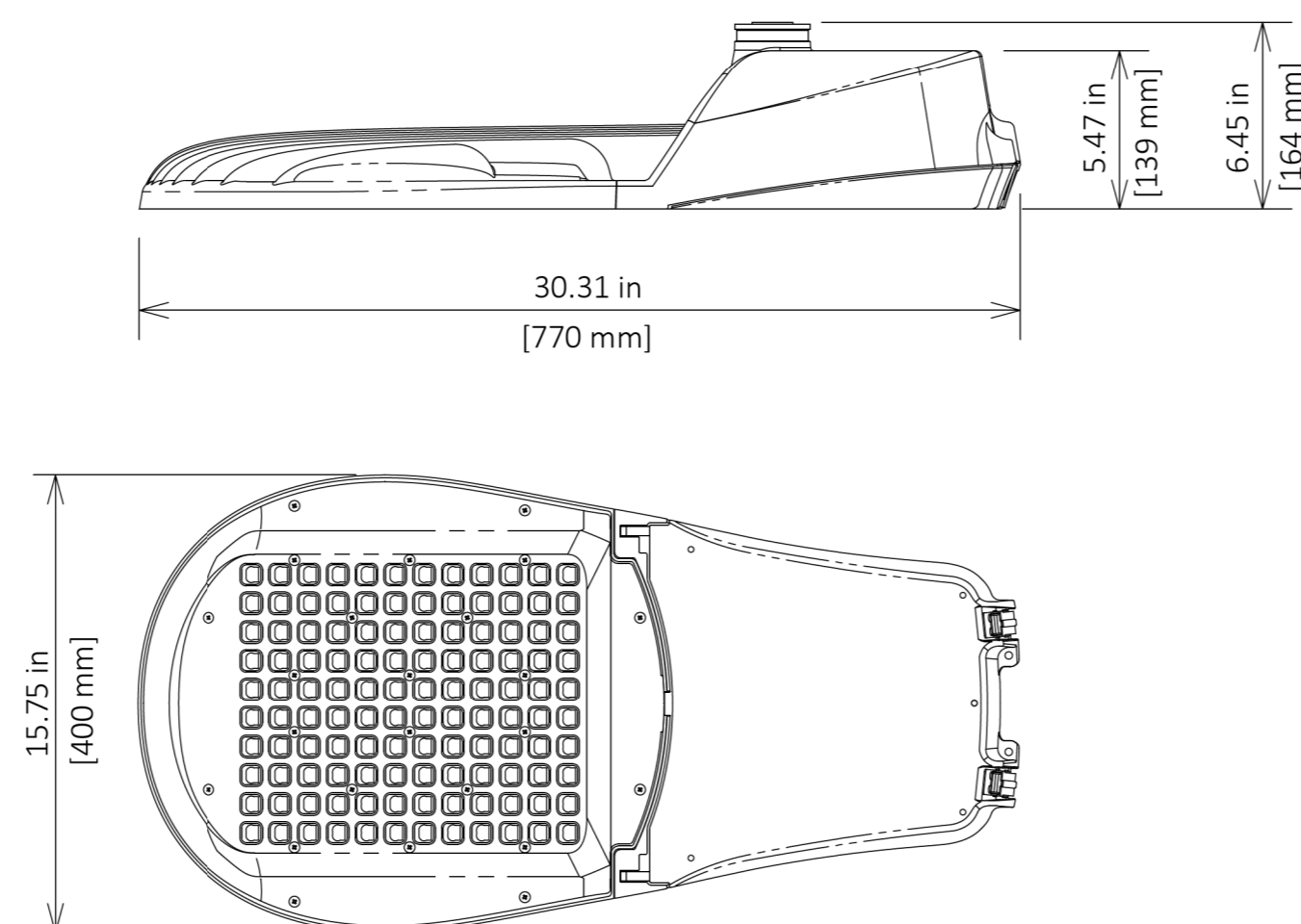
	PROJECT REFERENCE NO.	SHEET NO.
	U-3315	E-11
RW SHEET NO.		
STREET LIGHTING PLAN		
Kimley»Horn		
P.O. BOX 33068 • RALEIGH, N.C. 27636-3068		
RIGHT-OF-WAY REV.		
CONST. REV.		

GC2 GreenKingCobra™ LED Street Light

Project
Type
Catalog No.

Luminaire Data

Weight 25 lbs [11.3 kg]
EPA 1.0 ft²



Ordering Information

Sample Catalog No. GC2 80F MV NW 2 GY BSK RPB FDC350

GC2	90F	MV	NW	3	GY	700	
Product	No. & Type of LEDs	Voltage	Color Temperature ¹	Distribution	Finish ²	Drive Current ³	Options
GC2	80F 90F 100F 120F	MV 120-277V HV 347-480V	NW 4000K	2 Type 2 3 Type 3	GY Gray	350 350mA 530 530mA 700 700mA 1A ⁴ 1A	BSK Bird Spider Kit SPB Square Pole Bracket RPB Round Pole Bracket PTB Pole-Top Bracket HSS ⁵ House Side Shield FDC ⁶ Fixed Drive Current LPCR Less Photocell Receptacle PCR5 ANSI 5-wire Photocontrol Receptacle PCR7 ANSI 7-wire Photocontrol Receptacle SC PCR Shorting Cap WL Utility Wattage Label

Notes:

- Nominal 4000K standard, consult factory for other color temperatures.
- Gray standard, consult factory for other finishes.
- Factory set drive current, field adjustable standard. Refer to performance data on page 2.
- 1A drive currently only available with 80F.
- Flush mounted house side shield factory installed. Shield cuts light off at 1/2 mounting height behind luminaire.
- Non-field adjustable, fixed drive current.



GC2 GreenKingCobra™ LED Street Light

Luminaire Specifications

Housing

Die cast aluminum housing with universal four-bolt slip fitter mounts to 1-1/4" to 2" (1-5/8" to 2-3/8" O.D.) diameter mast arm. Leveling adjustment from +10° to -5° and integral bubble level standard. Electrical components are accessed without tools and are mounted on removable power door. Power door features quick electrical disconnects to terminal block and LED board.

Light Emitting Diodes

Hi-flux/Hi-power white LEDs produce a minimum of 95% of initial intensity at 100,000 hours of life. LEDs are tested in accordance with IES LM-80 testing procedures. Mean correlated color temperature of 4000K (standard) and 70 minimum CRI. LEDs are 100% mercury and lead free.

Optical Systems

Micro-lens systems produce IES Type 2 or Type 3 distributions. Luminaire produces 0% total lumens above 90° (BUG Rating, U=0).

Electrical

Power supply drive current is field adjustable (350mA, 530mA or 700mA for the 700mA power supply or 530mA, 700mA or 1A for the 1A power supply). Power supply features a minimum power factor of .90 and <20% Total Harmonic Distortion (THD). EMC meets or exceeds FCC CFR Part 15. Transient voltage complies with ANSI C62.41 Cat. A. Integral surge protector is tested per ANSI/IEEE C62.45 procedures based on ANSI/IEEE C62.41.2 definitions for standard and optional waveforms for Location Category C High. Photocontrol receptacle is standard, ANSI C136.41 5-wire (PCR5) or 7-wire (PCR7) dimming receptacle optional. Photocontrol or control module is provided by others. Power Supply is 0-10V dimmable standard with PCR5 or PCR7 option.

Finish

Housing receives a fade and abrasion resistant, epoxy polyester powder coat, light gray finish standard.

Listings/Ratings/Labels

Luminaires are UL listed for use in wet locations in the United States and Canada. Optical systems maintain an IP66 rating. Design Lights Consortium qualified product. Assembled in the United States.

Photometry

Luminaires are photometrically tested by certified independent testing laboratories in accordance with IES LM-79 testing procedures.

Warranty

10-year limited warranty is standard on luminaire and components.

Performance Data

All data nominal, consult factory for IES files or LM-79 reports.

No. of LEDs & Type	Drive Current (mA)	System Wattage (W)	Delivered Lumens (Lm)	Efficacy (Lm/W)	Type 2	Type 3
					BUG Rating	BUG Rating
80F	700	188	18800	100	B3 U0 G3	B3 U0 G3
	1000	242	23900	99	B3 U0 G3	B3 U0 G3
90F	350	95	10700	113	B2 U0 G2	B3 U0 G3
	530	156	16300	105	B3 U0 G3	B3 U0 G3
100F	700	213	21300	100	B3 U0 G3	B3 U0 G3
	350	109	12300	113	B3 U0 G3	B3 U0 G3
120F	530	176	18300	104	B3 U0 G3	B3 U0 G3
	700	244	24400	100	B3 U0 G3	B3 U0 G3
120F	350	128	14400	113	B3 U0 G3	B3 U0 G3
	530	201	21400	106	B3 U0 G3	B3 U0 G3
	700	292	28600	98	B3 U0 G3	B3 U0 G3



K:\RAL_Roadway\01036175_U-3315\Lighting\Electrical\Lighting Design\LightingPlanSheets\U3315_LE_E1.dgn 5/11/2015