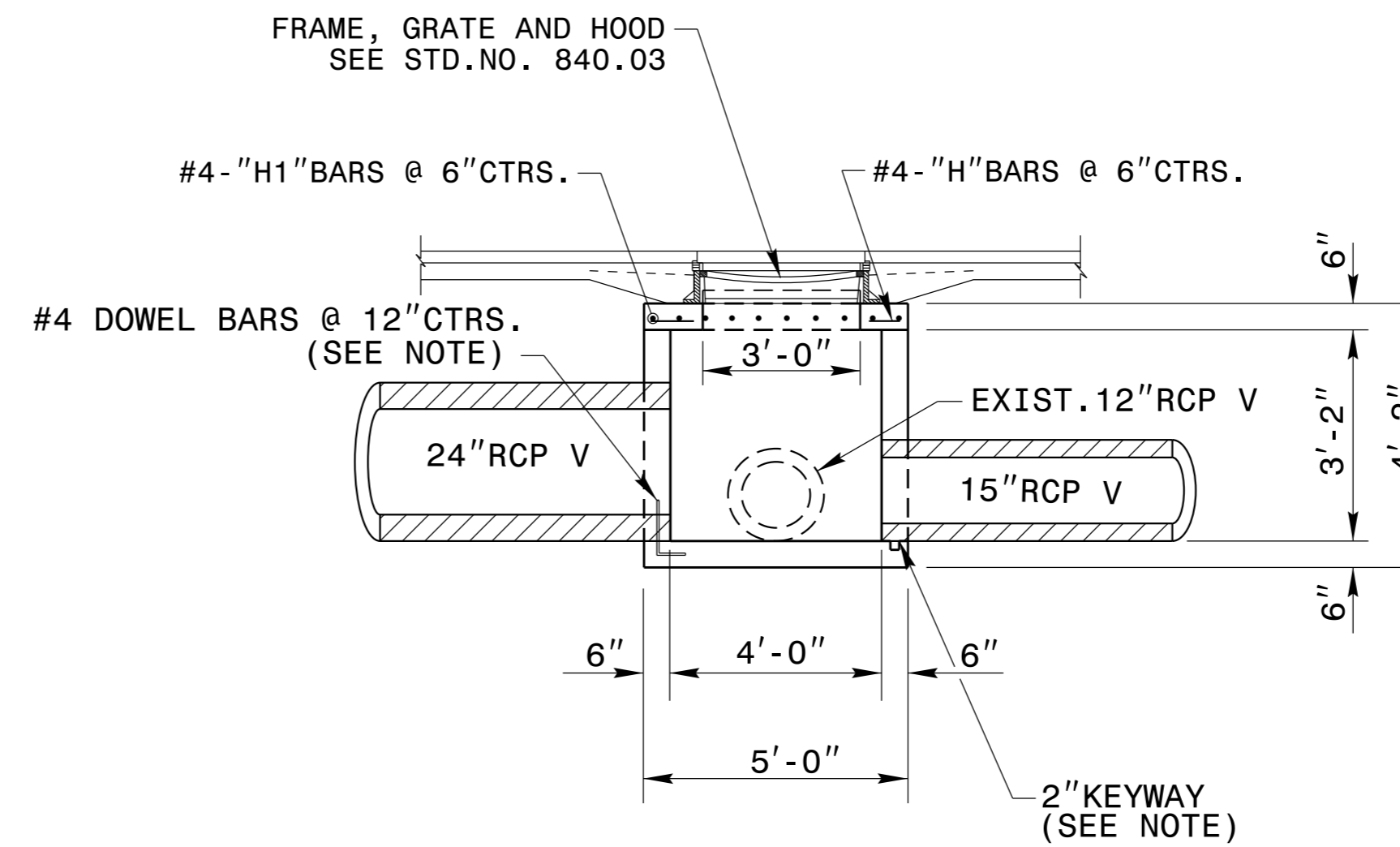
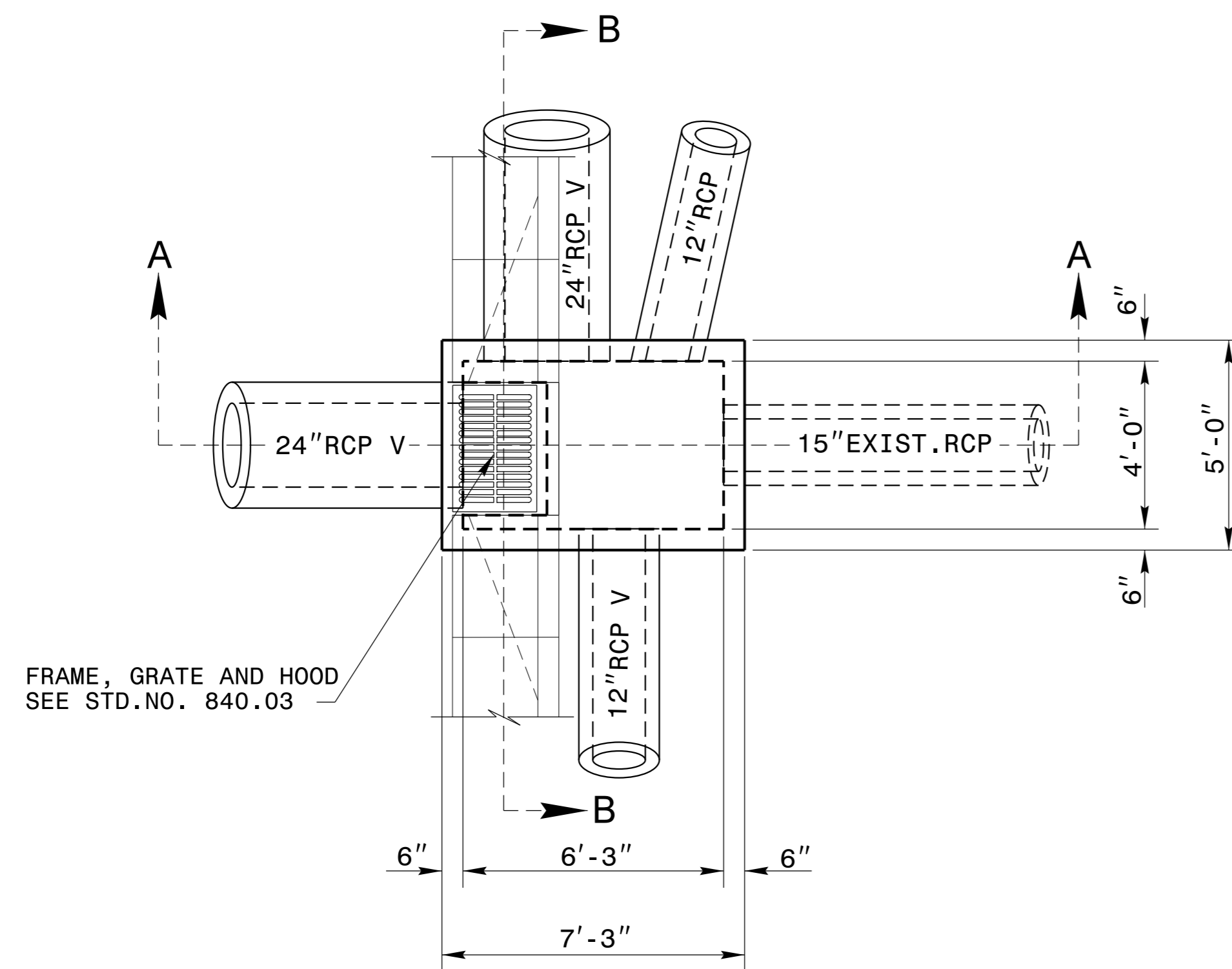


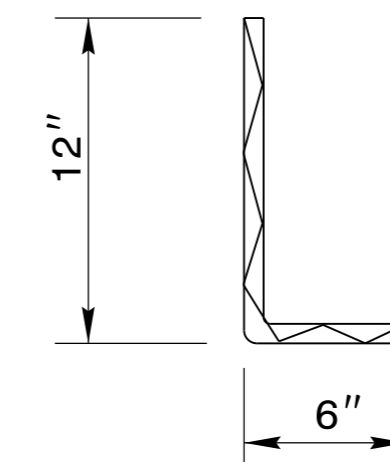
SECTION A-A



SECTION B-B



PLAN



DOWEL

NOTES:

USE CLASS "B" CONCRETE THROUGHOUT.

ALL REINFORCING STEEL SHOULD BE ASTM A615-GRADE 60.

ALL REINFORCING STEEL SHOULD BE DEFORMED BARS. WHERE SPLICING OF REINFORCEMENT IS NECESSARY, BARS ARE TO BE LAPPED 45 DIAMETERS. ALL DIMENSIONS RELATIVE TO REINFORCEMENT ARE TO CENTERS OF BARS.

REINFORCING STEEL TO BE CUT, BENT OR RELOCATED TO POSITION CATCH BASIN AS DIRECTED BY THE ENGINEER.

ALL EXPOSED CORNERS ARE TO BE CHAMFERED 1".

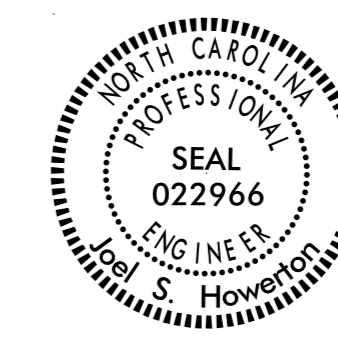
ALL MATERIAL AND WORKMANSHIP AS PER N.C. DEPARTMENT OF TRANSPORTATION STANDARD SPECIFICATIONS.

OPTIONAL CONSTRUCTION, MONOLITHIC POUR, 2" KEYWAY, OR #4 BAR DOWELS AT 12" CENTERS AS DIRECTED BY THE ENGINEER.

BILL OF MATERIAL				
REINFORCING STEEL				
BAR	SIZE	LENGTH	NO.	WEIGHT
H	#4	4'-8"	15	47
H1	#4	6'-11"	10	47
DOWEL (OPTION)			20	
REINFORCING STEEL LBS.				94
TOTAL CON./R.C. CU. YDS.				3
DEDUCTION FOR 2-24" RCP				-0.3
DEDUCTION FOR 2-15" RCP				-0.1
NO DEDUCTION MADE FOR 1-12" RCP				
CON./R.C. CU. YDS.				2.6

* RISER HAS .228 CUBIC YARDS OF CONCRETE PER FOOT HEIGHT

2/4/2015



DocuSigned by:
Joel Howerton
873F3D170C0C46F...

CONTRACT SERVICES & DEVELOPMENT UNIT
STANDARDS AND SPECIAL DESIGN
Office 919-250-4128 FAX 919-250-4119

**DETAIL OF SPECIAL
CATCH BASIN**

ORIGINAL BY: _____ DATE: _____
 MODIFIED BY: rnbritt DATE: 04-12-13
 CHECKED BY: _____ DATE: _____
 FILE SPEC.: details/rnbritt/english/hydro/special_cb.dgn

C:\TIME\DESIGN\CONCRETE\USER\NAME\...