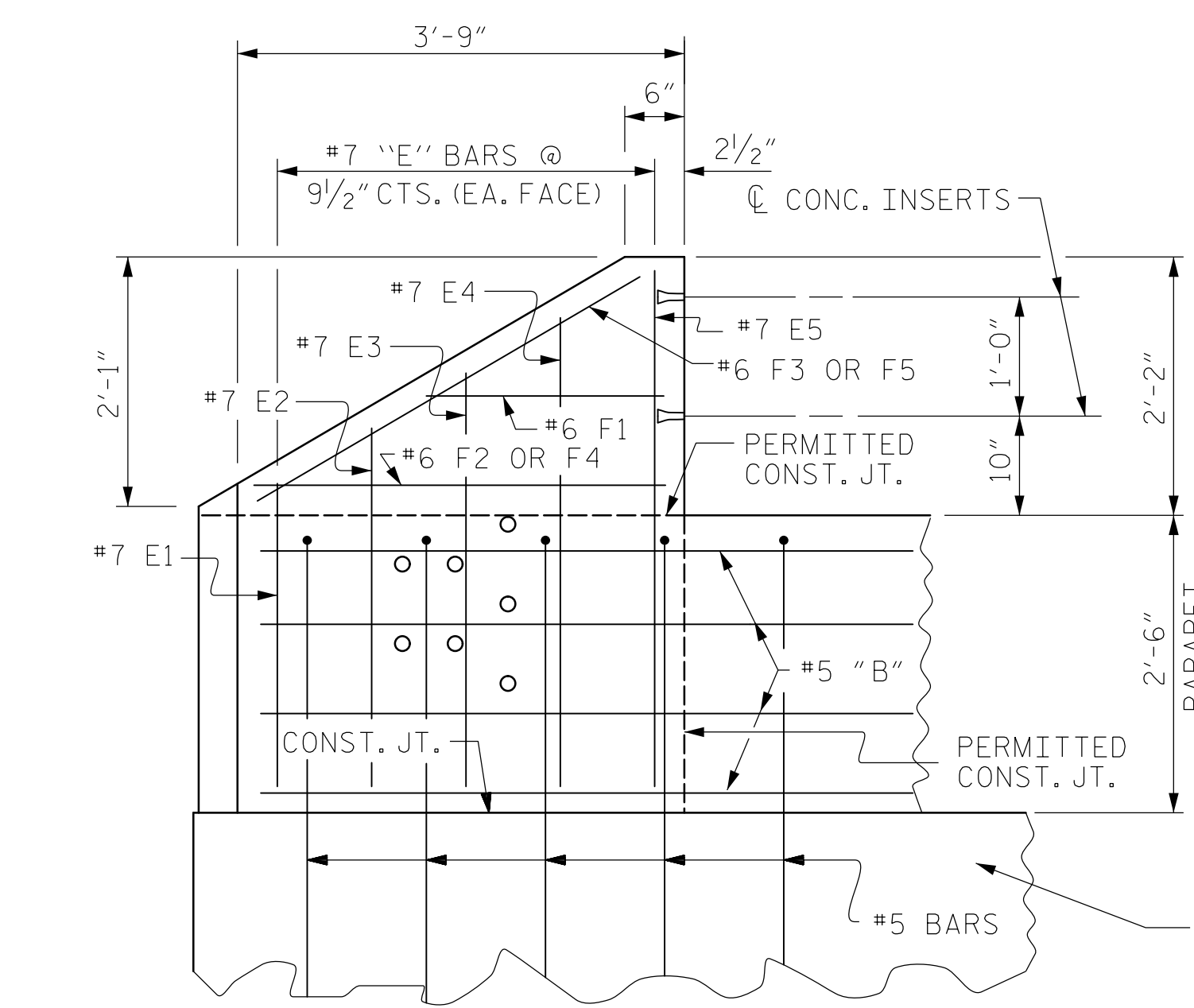
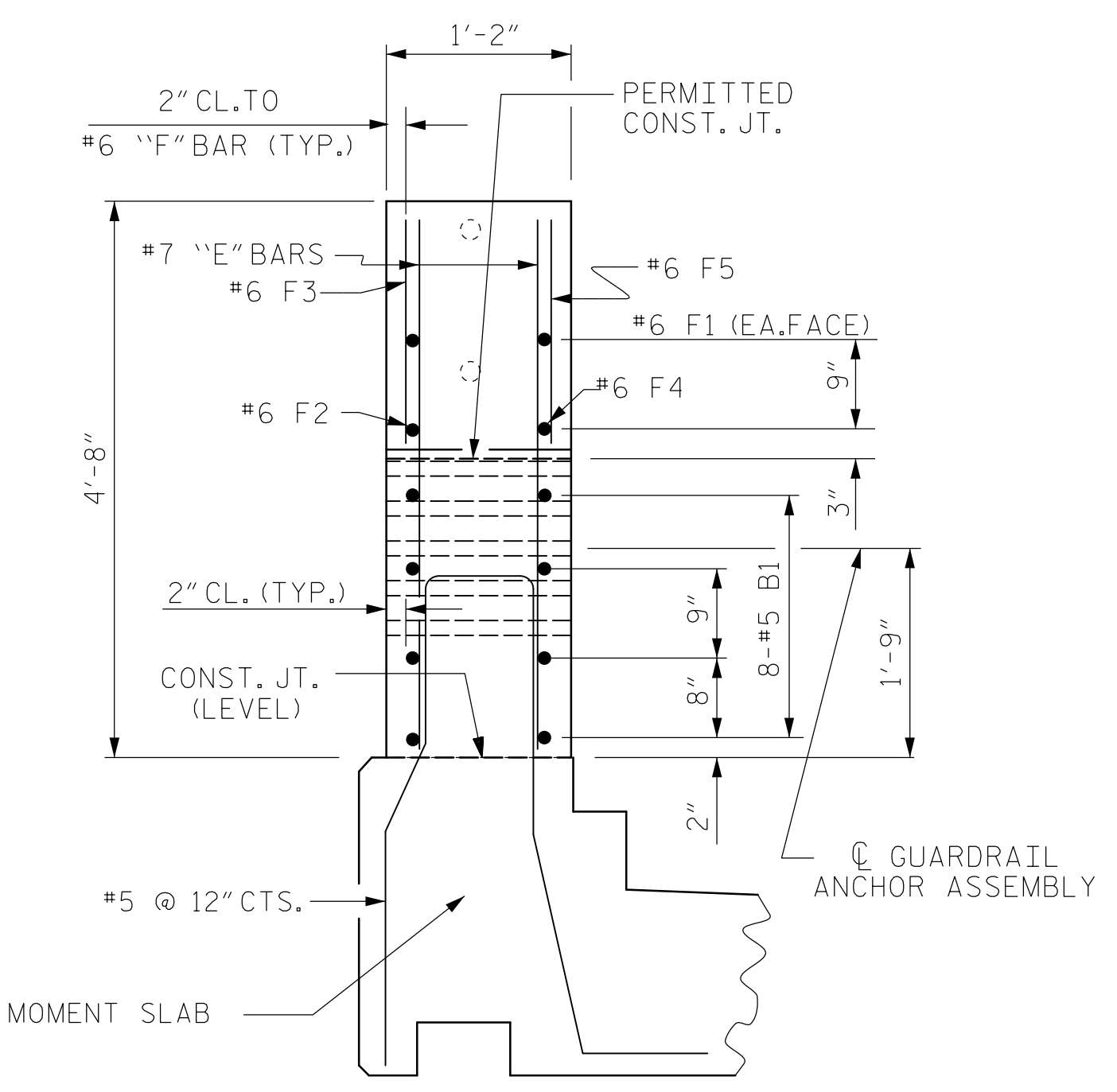


PLAN OF END POST



ELEVATION



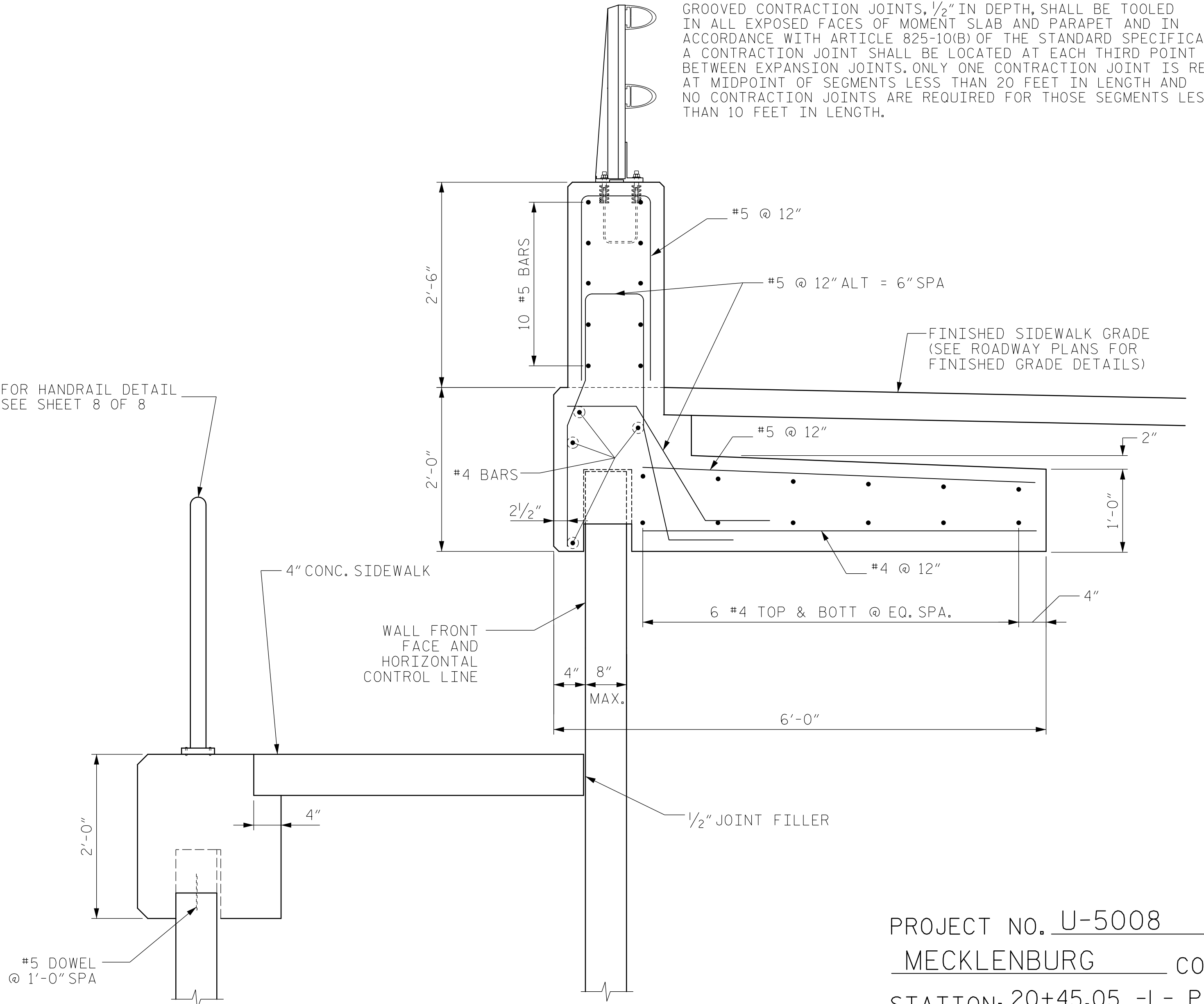
END VIEW

PARAPET AND END POST FOR TWO BAR RAIL

1'-2" x 2'-6" CONCRETE PARAPET WITH MOMENT SLAB	
-WALL 1-	533.46 LIN FT
-WALL 2-	128.64 LIN FT
-WALL 3-	341.53 LIN FT
TOTAL PAY LENGTH = 1003.63 LIN FT	

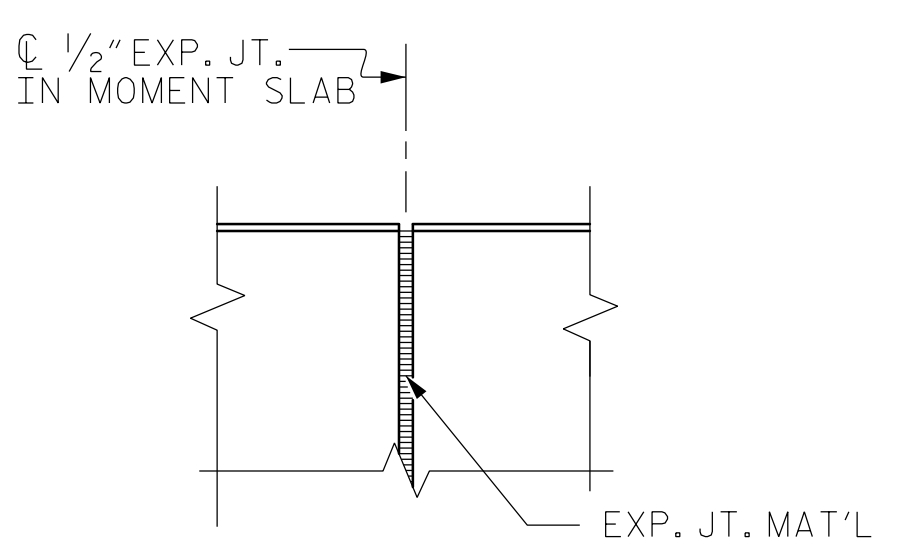
NOTES:
 SEE "2 BAR METAL RAIL" STANDARD DRAWINGS FOR METAL RAIL DETAILS.
 ALL REINFORCING STEEL IN THE PARAPET AND MOMENT SLAB SHALL BE EPOXY COATED.
 EXPANSION JOINTS SHALL BE PLACED IN THE MOMENT SLAB AT A MAXIMUM SPACING OF 30'. SEE SHEET 6 OF 7 FOR JOINT LOCATIONS.
 THE 2 BAR METAL RAIL SHALL NOT BE INSTALLED UNTIL THE MOMENT SLAB HAS ATTAINED AN AGE OF THREE CURING DAYS OR A MINIMUM COMPRESSIVE STRENGTH OF 2,000 PSI. IN ADDITION, NO FILL MATERIAL, ASPHALT, OR CONSTRUCTION EQUIPMENT IS ALLOWED ON THE MOMENT SLAB PRIOR TO SATISFYING THE MINIMUM CONCRETE CURING AND STRENGTH REQUIREMENTS.
 GROOVED CONTRACTION JOINTS, 1/2" IN DEPTH, SHALL BE TOOLED IN ALL EXPOSED FACES OF MOMENT SLAB AND PARAPET AND IN ACCORDANCE WITH ARTICLE 825-10(B) OF THE STANDARD SPECIFICATIONS. A CONTRACTION JOINT SHALL BE LOCATED AT EACH THIRD POINT BETWEEN EXPANSION JOINTS. ONLY ONE CONTRACTION JOINT IS REQUIRED AT MIDPOINT OF SEGMENTS LESS THAN 20 FEET IN LENGTH AND NO CONTRACTION JOINTS ARE REQUIRED FOR THOSE SEGMENTS LESS THAN 10 FEET IN LENGTH.

FOR HANDRAIL DETAIL SEE SHEET 8 OF 8

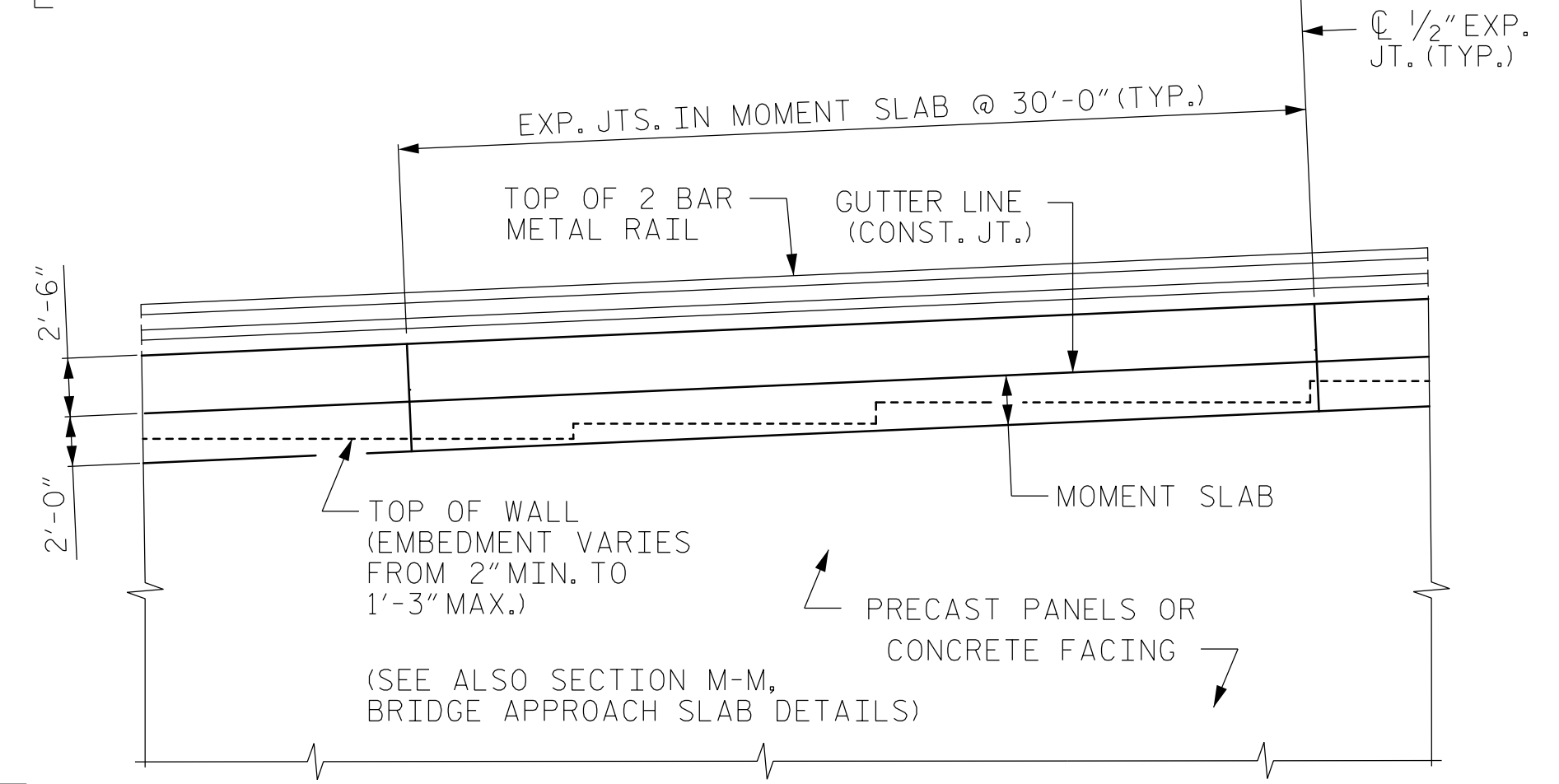


2-BAR METAL RAIL WITH MOMENT SLAB

4 END POSTS REQ'D @ :
 BEGIN -WALL1-
 END -WALL1-
 END -WALL2-
 BEGIN -WALL3-



ELEV. @ EXP. JOINTS

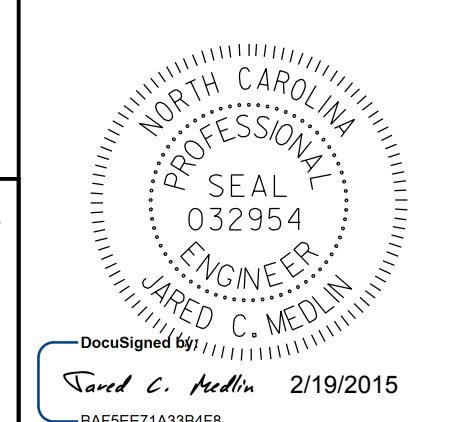


PARAPET WITH MOMENT SLAB - PARTIAL ELEVATION

PROJECT NO. U-5008
 MECKLENBURG COUNTY
 STATION: 20+45.05 -L- P.O.T. =
 14+54.24 -Y4- P.O.T.

STATE OF NORTH CAROLINA
 DEPARTMENT OF TRANSPORTATION
 RALEIGH
 CONCRETE PARAPET WITH MOMENT SLAB FOR PRECAST PANELS AND CONCRETE FACING

KCI ASSOCIATES OF NC, P.A.
 9741 SOUTHERN PINE BLVD
 SUITE J
 CHARLOTTE, NC 28273
 704-499-9452
 NC LICENSE No. C-0764



REVISIONS						SHEET NO.	
NO.	BY:	DATE:	NO.	BY:	DATE:	W-9	
1			3			SHEETS 19	
2			4				