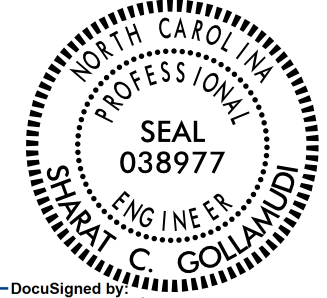
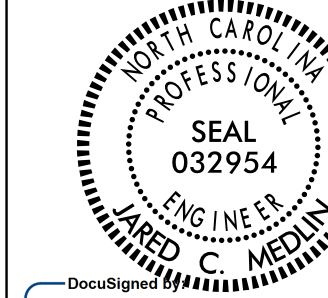
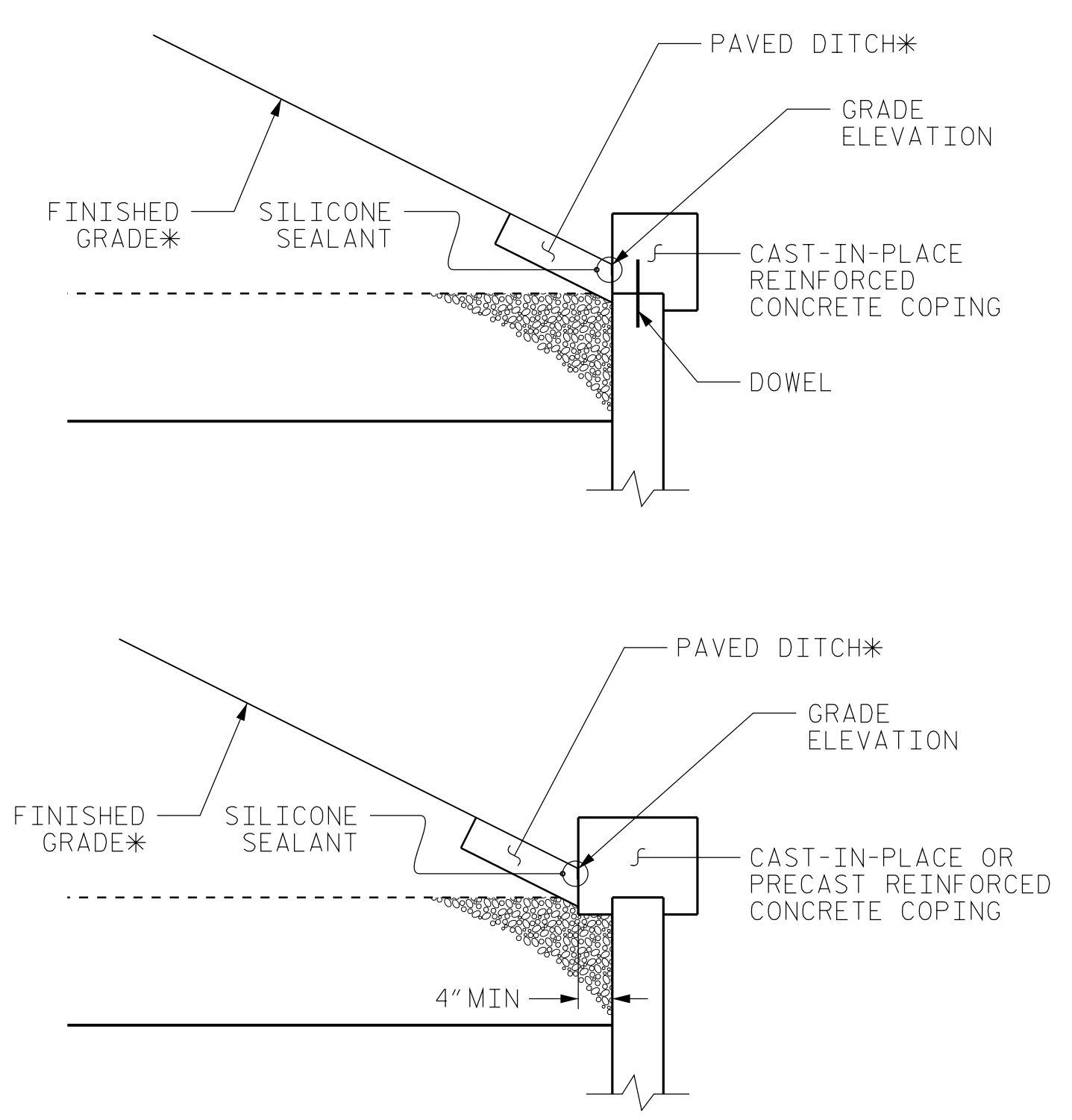
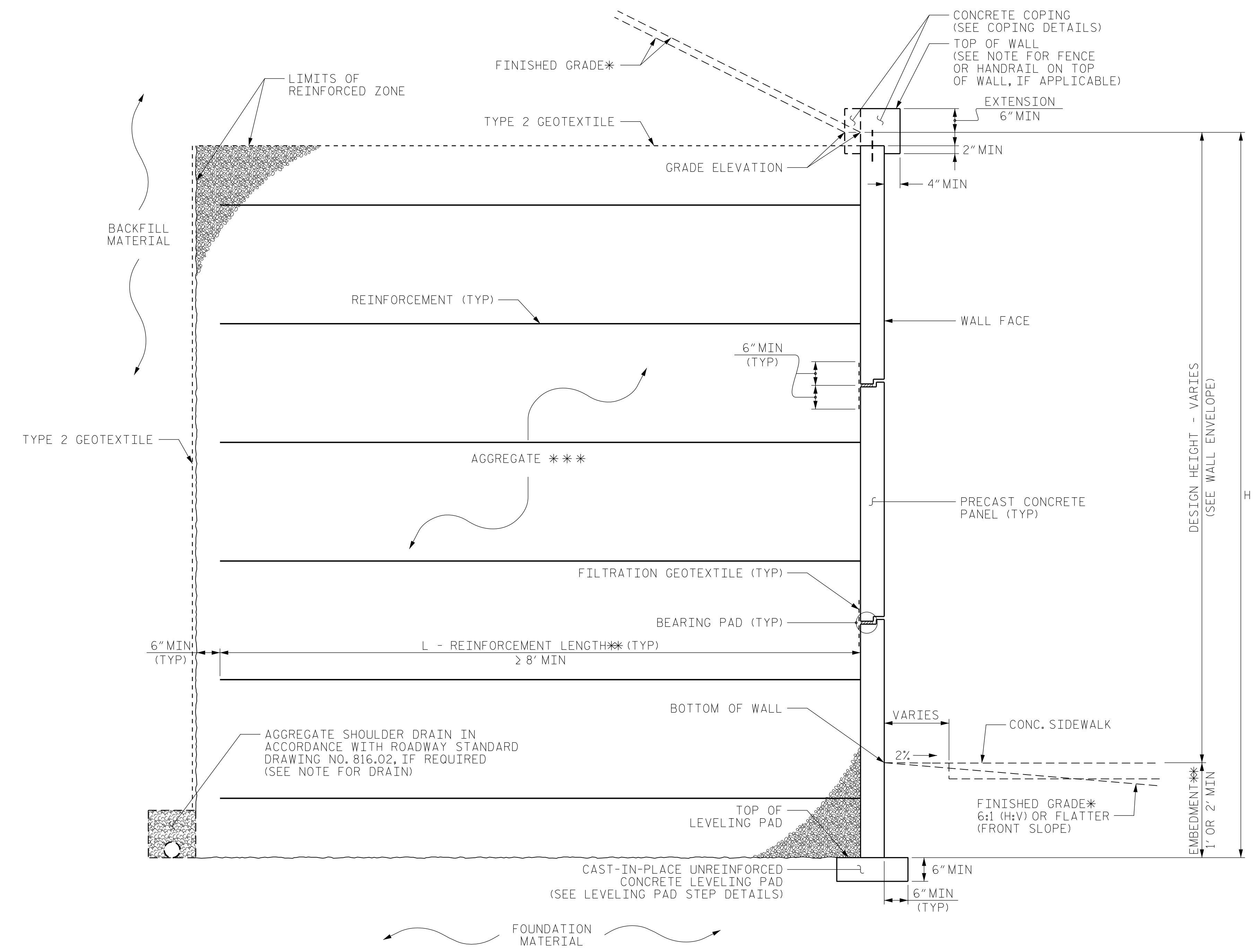


0400DEL-P30

GEOTECHNICAL ENGINEER  SHERMAN C. GOLLAMUDI ENGINEER No. 038977 State of North Carolina 2/19/2015 DATE	ENGINEER  SHERMAN C. GOLLAMUDI ENGINEER No. 032954 State of North Carolina 2/19/2015 DATE
--	---



COPING DETAILS

AT THE CONTRACTOR'S OPTION, CONNECT COPING TO PANELS WITH DOWELS OR EXTEND COPING DOWN BACK OF PANELS. *SEE ROADWAY PLANS FOR FINISHED GRADE AND DITCH DETAILS.


MSE WALL WITH PRECAST PANELS - TYPICAL SECTION

- * SEE ROADWAY PLANS FOR FINISHED GRADE AND DITCH DETAILS.
- ** SEE MSE RETAINING WALLS PROVISION FOR EMBEDMENT AND REINFORCEMENT LENGTH REQUIREMENTS.
- *** SEE DRAWINGS WALL W-12 THRU WALL W-18 FOR DETAILS OF LIGHTWEIGHT AGGREGATE IN MSE WALL 3
- **** SEE ROADWAY PLANS AND DRAWINGS WALL W-13 THRU WALL W-17 FOR DETAILS OF LIGHTWEIGHT AGGREGATE WITHIN EMBANKMENT.

PROJECT NO.: U-5008
MECKLENBURG COUNTY
STATION: 20+45.05 -L- P.O.T = 14+54.24 -Y4- P.O.T.

04-FEB-2015 12:47 C:\Users\rahe\OneDrive\Documents\Projects\U5008\GEO\RWAL\CADD\GEO\TECHN\Foundation Recomm Dispos\SH84_U-5008_SD_RW_3.dgn

DRAWN BY:	D.L.KEENER	DATE:	MAY 2013
CHECKED BY:	R. C. LARSON	DATE:	10/22/14
PREPARED BY:	R. RAHIE	DATE:	01/07/15
REVIEWED BY:	S. C. GOLLAMUDI	DATE:	01/07/15



AMEC E&I, Inc.
 4021 STIRRUP CREEK DRIVE, SUITE 100
 DURHAM, NORTH CAROLINA 27703
 (919) 381-9900
 NC Engineering F-1253 NC Geology C-247

MSE RETAINING WALL TYPICAL SECTION					
REVISIONS					
NO.	BY	DATE	NO.	BY	DATE
1			3		
2			4		
					SHEET NO. W-6
					TOTAL SHEETS 19